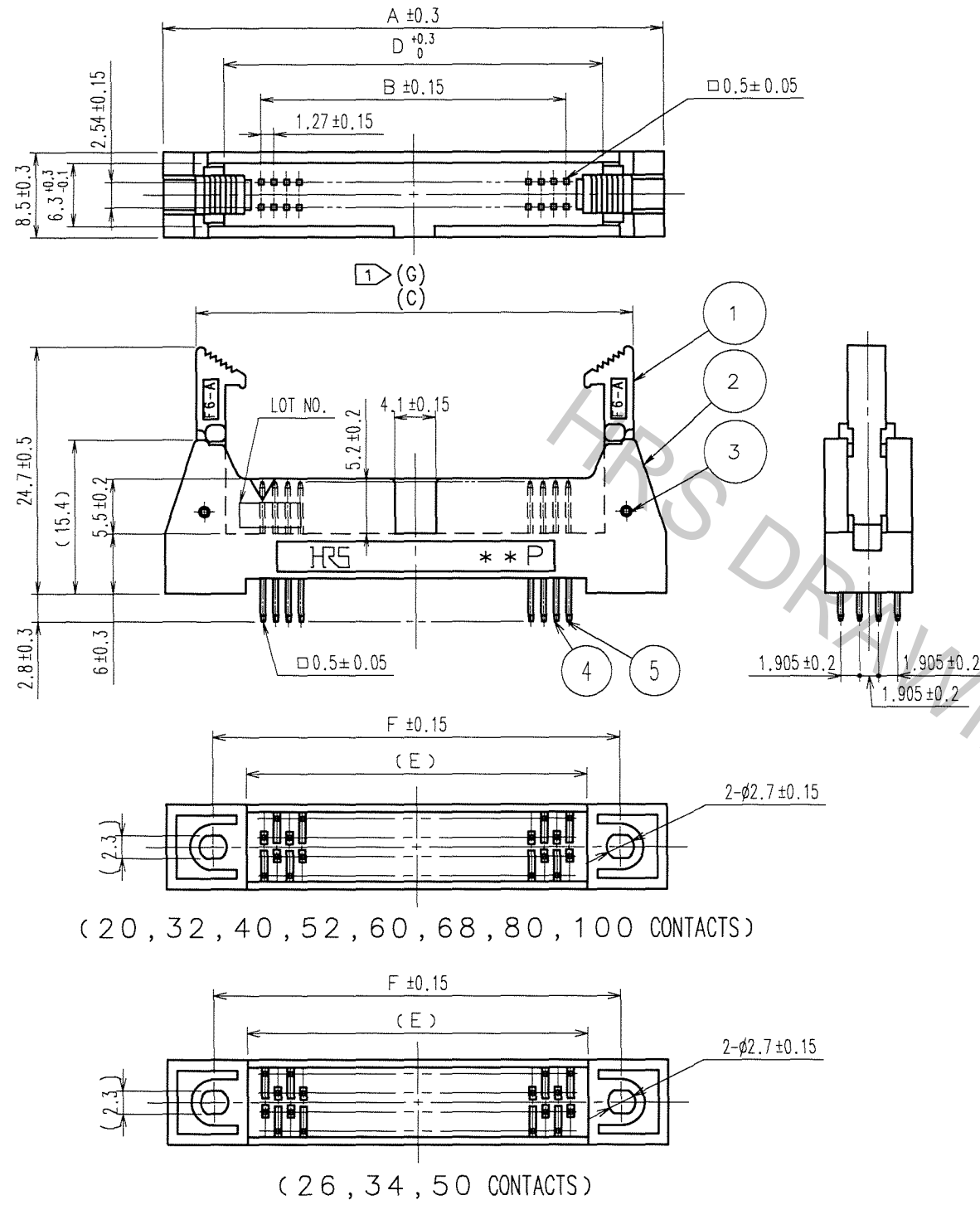
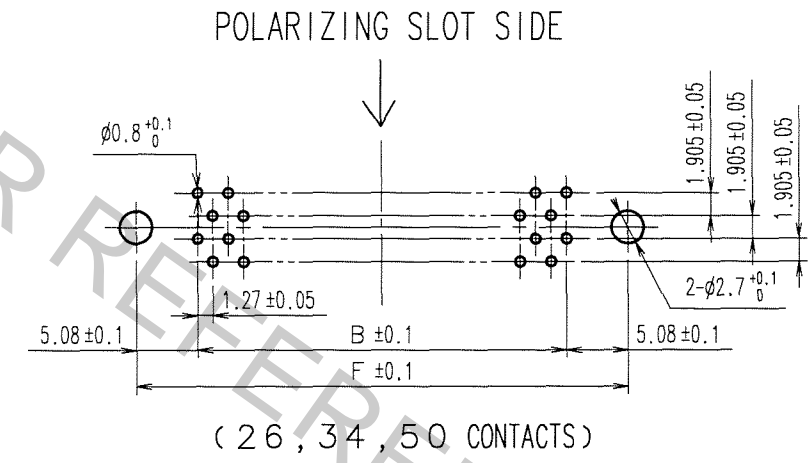
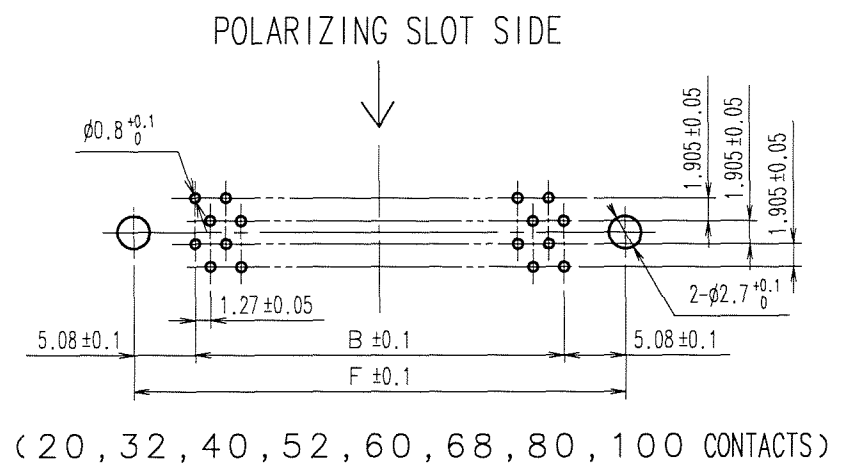


Feb.1.2017 Copyright 2017 HIROSE ELECTRIC CO., LTD. All Rights Reserved.



COUNT	DESCRIPTION OF REVISIONS	BY	CHKD	DATE	COUNT	DESCRIPTION OF REVISIONS	BY	CHKD	DATE
△					△				
△					△				
△					△				

RECOMMENDED PC BOARD HOLE PATTERN
(MOUNT SIDE)



NOTE ① THE UPPER DIMENSION SHOWS WHEN THE LOCK OPEN OUT.
 ② THE DIMENSIONS IN PARENTHESES ARE FOR REFERENCE.
 ③ NUMBER OF CONTACTS.

PART No.	CODE No.	③	A	B	C	D	E	F	G
HIF6-20PA-1.27DSA(71)	CL630-0101-9-71	20	30.95	11.43	24.55	18.75	14.95	21.59	43.55
HIF6-26PA-1.27DSA(71)	CL630-0102-1-71	26	34.76	15.24	28.36	22.56	18.76	25.40	47.36
HIF6-32PA-1.27DSA(71)	CL630-0103-4-71	32	38.57	19.05	32.17	26.37	22.57	29.21	51.17
HIF6-34PA-1.27DSA(71)	CL630-0104-7-71	34	39.84	20.32	33.44	27.64	23.84	30.48	52.44
HIF6-40PA-1.27DSA(71)	CL630-0105-0-71	40	43.65	24.13	37.25	31.45	27.65	34.29	56.25
HIF6-50PA-1.27DSA(71)	CL630-0106-2-71	50	50.00	30.48	43.60	37.80	34.00	40.64	62.60
HIF6-52PA-1.27DSA(71)	CL630-0107-5-71	52	51.27	31.75	44.87	39.07	35.27	41.91	63.87
HIF6-60PA-1.27DSA(71)	CL630-0108-8-71	60	56.35	36.83	49.95	44.15	40.35	46.99	68.95
HIF6-68PA-1.27DSA(71)	CL630-0109-0-71	68	61.43	41.91	55.03	49.23	45.43	52.07	74.03
HIF6-80PA-1.27DSA(71)	CL630-0110-0-71	80	69.05	49.53	62.65	56.85	53.05	59.69	81.65
HIF6-100PA-1.27DSA(71)	CL630-0111-2-71	100	81.75	62.23	75.35	69.55	65.75	72.39	94.35

3	STAINLESS STEEL		4, 5	BRASS	CONTACT AREA: GOLD 0.2μm min. DIP AREA: TIN-PLATING 2μm min. UNDER PLATING: NICKEL 2.5μm min.
1, 2	PBT	BLACK UL94V-0			
NO.	MATERIAL	FINISH, REMARKS	NO.	MATERIAL	FINISH, REMARKS
CODE NO. (OLD) CL			DRAWN A. SUZUKAWA 06.03.30	DESIGNED H. Nakamura 06.04.04	CHECKED H. Ogawa 06.04.04
			APPROVED H. Okawa 06.04.04	RELEASED	
DRAWING NO. EDC3-153148-21		PART NO. HIF6-**-PA-1.27DSA(71)			
SCALE FREE		UNITS mm		CODE NO. CL630	

TO
PCK

1/1