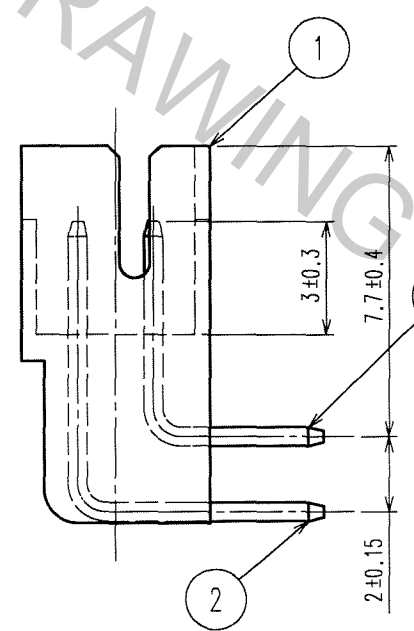
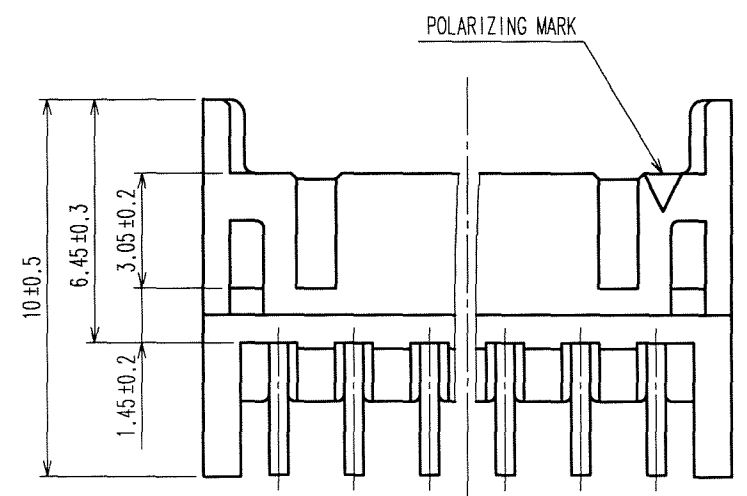
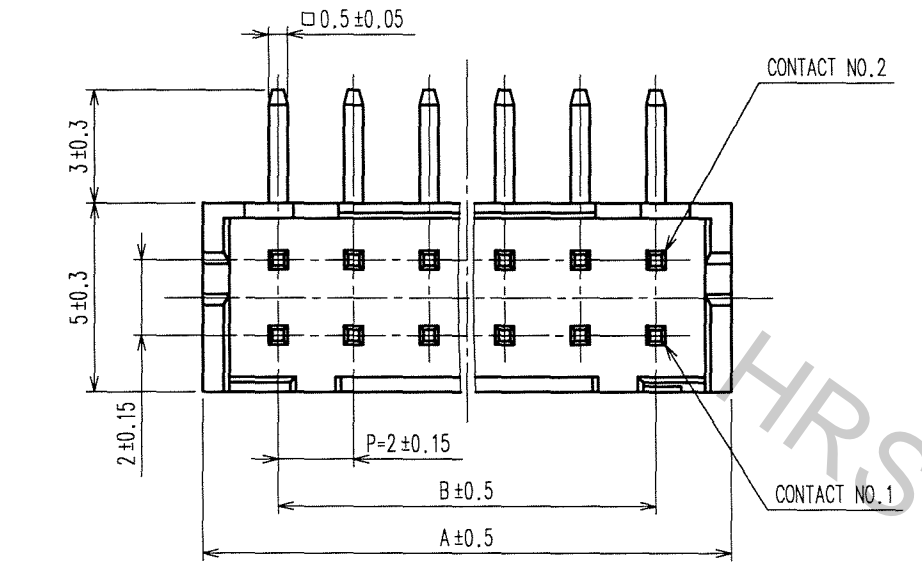
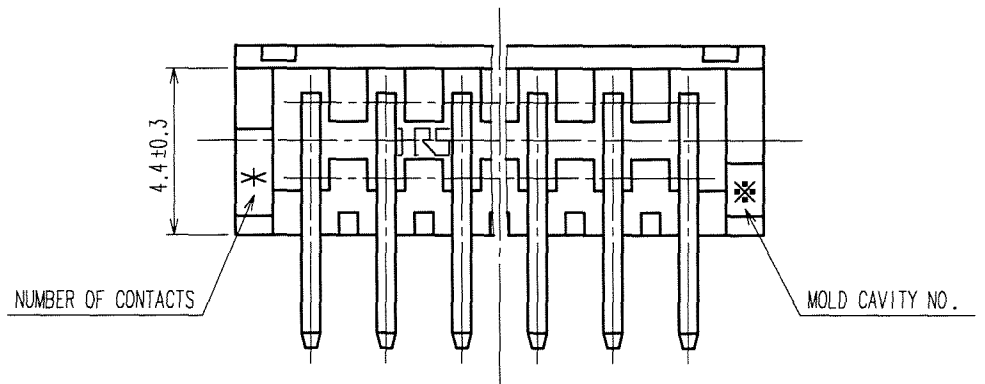
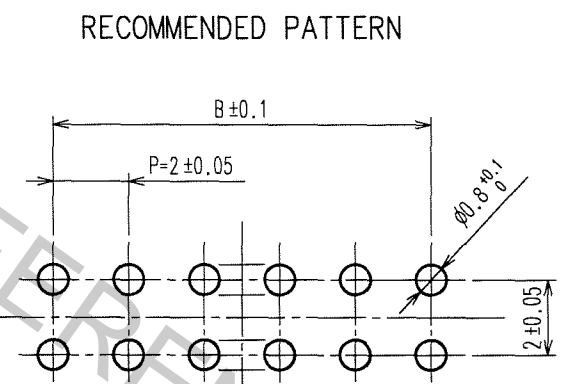


Feb.1.2017 Copyright 2017 HIROSE ELECTRIC CO., LTD. All Rights Reserved.

| COUNT | DESCRIPTION OF REVISIONS | BY  | CHKD | DATE     | COUNT | DESCRIPTION OF REVISIONS | BY | CHKD | DATE |
|-------|--------------------------|-----|------|----------|-------|--------------------------|----|------|------|
| 2     | DIS-H-000979             | N.H | H.U  | 06-05-17 |       |                          |    |      |      |
|       |                          |     |      |          |       |                          |    |      |      |
|       |                          |     |      |          |       |                          |    |      |      |



| HRS NO          | PART NO            | NUMBER OF CONTACT | A  | B  |
|-----------------|--------------------|-------------------|----|----|
| CL543-0533-1-52 | DF11- 4DP-2DS (52) | 4                 | 6  | 2  |
| CL543-0534-4-52 | DF11- 6DP-2DS (52) | 6                 | 8  | 4  |
| CL543-0535-7-52 | DF11- 8DP-2DS (52) | 8                 | 10 | 6  |
| CL543-0536-0-52 | DF11-10DP-2DS (52) | 10                | 12 | 8  |
| CL543-0537-2-52 | DF11-12DP-2DS (52) | 12                | 14 | 10 |
| CL543-0538-5-52 | DF11-14DP-2DS (52) | 14                | 16 | 12 |
| CL543-0539-8-52 | DF11-16DP-2DS (52) | 16                | 18 | 14 |
| CL543-0540-7-52 | DF11-18DP-2DS (52) | 18                | 20 | 16 |
| CL543-0541-0-52 | DF11-20DP-2DS (52) | 20                | 22 | 18 |
| CL543-0542-2-52 | DF11-22DP-2DS (52) | 22                | 24 | 20 |
| CL543-0543-5-01 | DF11-24DP-2DS (52) | 24                | 26 | 22 |
| CL543-0544-8-01 | DF11-26DP-2DS (52) | 26                | 28 | 24 |
| CL543-0545-0-01 | DF11-28DP-2DS (52) | 28                | 30 | 26 |
| CL543-0546-3-01 | DF11-30DP-2DS (52) | 30                | 32 | 28 |
| CL543-0547-6-01 | DF11-32DP-2DS (52) | 32                | 34 | 30 |



|   |           |  |   |          |  |
|---|-----------|--|---|----------|--|
| 2 | BRASS     | SURFACE:GOLD PLATED 0.2 $\mu$ m min<br>UNDER PLATING:NICKEL PLATED 1 $\mu$ m min | 5 | ELASTMER | STOPPER, CLEAR   |
| 1 | POLYAMIDE | UL94V-0, BLACK   | 4 | PS       | ELECTROSTATIC PROTECTION, CLEAR  |
|   |           |  | 3 | BRASS    | SURFACE:GOLD PLATED 0.2 $\mu$ m min<br>UNDER PLATING:NICKEL PLATED 1 $\mu$ m min |

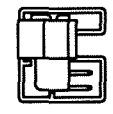
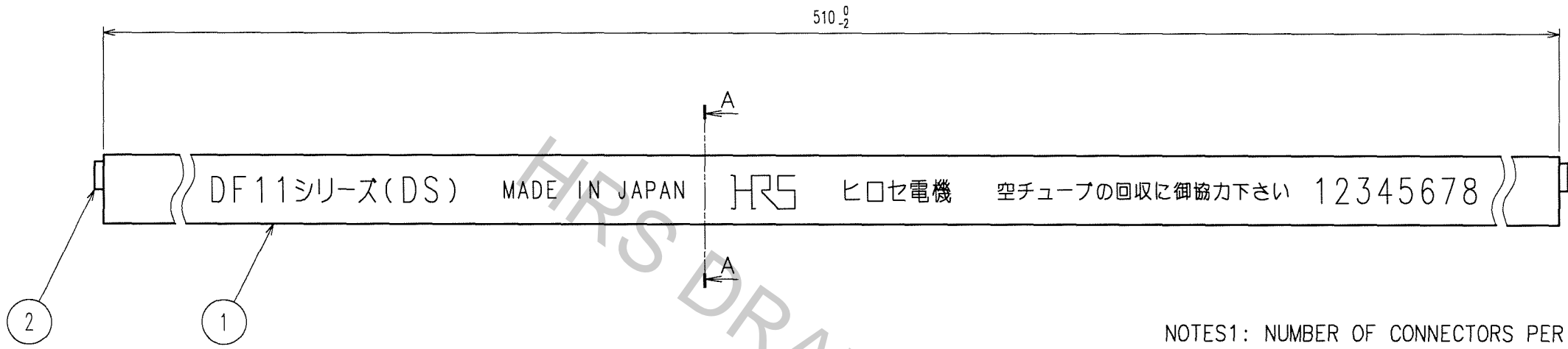
| NO.            | MATERIAL | FINISH, REMARKS | NO.         | MATERIAL  | FINISH, REMARKS |            |          |
|----------------|----------|-----------------|-------------|-----------|-----------------|------------|----------|
| CODE NO. (OLD) | CL       |                 | DRAWN       | DESIGNED  | CHECKED         | APPROVED   | RELEASED |
|                |          |                 | Y.NAGASHIMA | T.Arai    | C.Hanami        | K.Katayose |          |
|                |          |                 | '00.07.25   | '00.08.07 | '00.08.21       | '00.08.21  |          |

|       |       |             |                |          |                  |
|-------|-------|-------------|----------------|----------|------------------|
| SCALE | 5 : 1 | DRAWING NO. | EDC3-162390-02 | PART NO. | DF11-*DP-2DS(52) |
| UNITS | mm    | CODE NO.    | CL543          |          | 1/2              |

TO

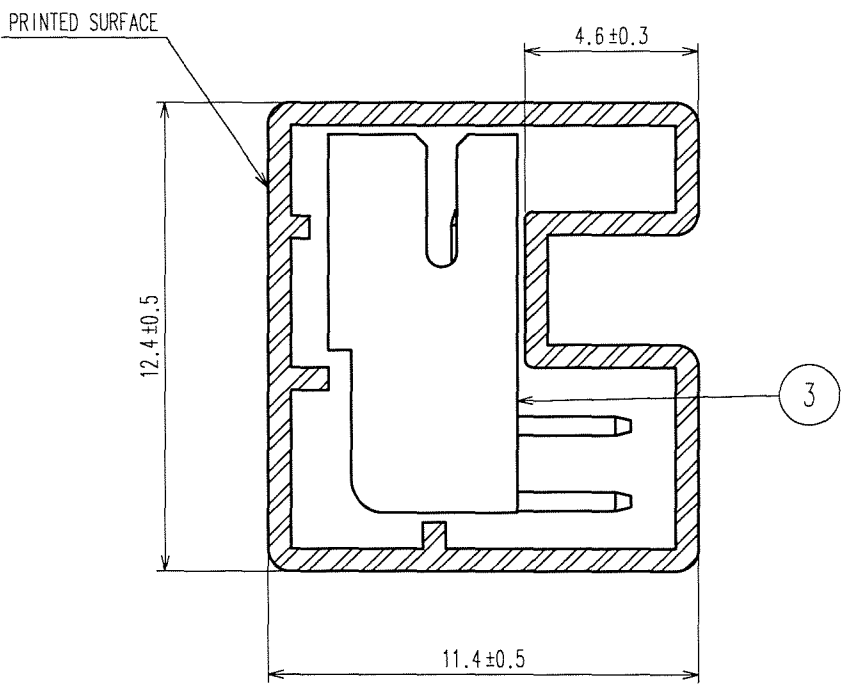
1/2

| COUNT | DESCRIPTION OF REVISIONS | BY | CHKD | DATE | COUNT | DESCRIPTION OF REVISIONS | BY | CHKD | DATE |
|-------|--------------------------|----|------|------|-------|--------------------------|----|------|------|
| △     |                          |    |      | ..   | △     |                          |    |      | ..   |
| △     |                          |    |      | ..   | △     |                          |    |      | ..   |
| △     |                          |    |      | ..   | △     |                          |    |      | ..   |



NOTES1: NUMBER OF CONNECTORS PER A TUBE SHALL BE IN ACCORDANCE WITH THE LIST BELOW.  
 2: THESE CONNECTORS SHALL BE ON SALED IN ACCORDANCE WITH THE MULTIPLE QUANTITY ON THE LIST.

A-A (5:1)



| CODE No.      | PART No.          | NUMBER OF CONNECTORS |
|---------------|-------------------|----------------------|
| 543-0533-1-52 | DF11- 4DP-2DS(52) | 81                   |
| 543-0534-4-52 | DF11- 6DP-2DS(52) | 61                   |
| 543-0535-7-52 | DF11- 8DP-2DS(52) | 48                   |
| 543-0536-0-52 | DF11-10DP-2DS(52) | 40                   |
| 543-0537-2-52 | DF11-12DP-2DS(52) | 34                   |
| 543-0538-5-52 | DF11-14DP-2DS(52) | 30                   |
| 543-0539-8-52 | DF11-16DP-2DS(52) | 27                   |
| 543-0540-7-52 | DF11-18DP-2DS(52) | 24                   |
| 543-0541-0-52 | DF11-20DP-2DS(52) | 22                   |
| 543-0542-2-52 | DF11-22DP-2DS(52) | 20                   |
| 543-0543-5-52 | DF11-24DP-2DS(52) | 18                   |
| 543-0544-8-52 | DF11-26DP-2DS(52) | 17                   |
| 543-0545-0-52 | DF11-28DP-2DS(52) | 16                   |
| 543-0546-3-52 | DF11-30DP-2DS(52) | 15                   |
| 543-0547-6-52 | DF11-32DP-2DS(52) | 14                   |

|    |
|----|
| TO |
|    |
|    |
|    |

|                               |                                   |                                 |                                  |                                     |          |
|-------------------------------|-----------------------------------|---------------------------------|----------------------------------|-------------------------------------|----------|
| CODE NO. (OLD)<br>CL          | DRAWN<br>Y.NAGASHIMA<br>'00.07.25 | DESIGNED<br>T.Arai<br>'00.08.07 | CHECKED<br>C.Hanami<br>'00.08.21 | APPROVED<br>K.Katayose<br>'00.08.21 | RELEASED |
| DRAWING NO.<br>EDC3-162390-02 |                                   | PART NO.<br>DF11-*DP-2DS(52)    |                                  |                                     |          |
| SCALE<br>FR:EE                |                                   | UNITS<br>mm                     |                                  | CODE NO.<br>CL543                   |          |
| HRS HIROSE ELECTRIC CO., LTD  |                                   | 2                               |                                  |                                     |          |