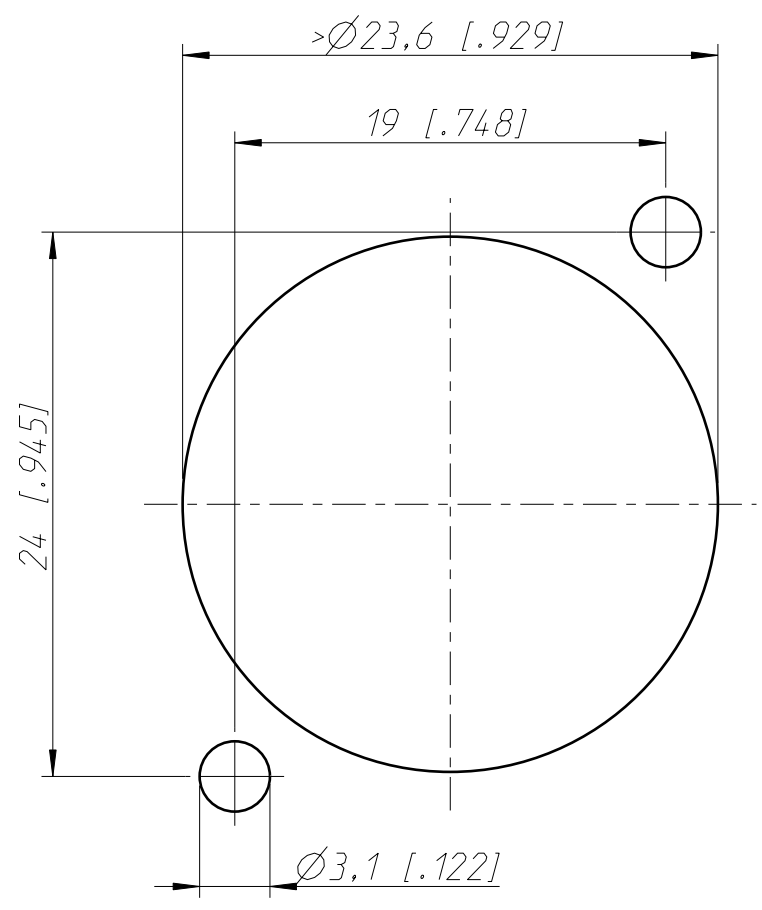
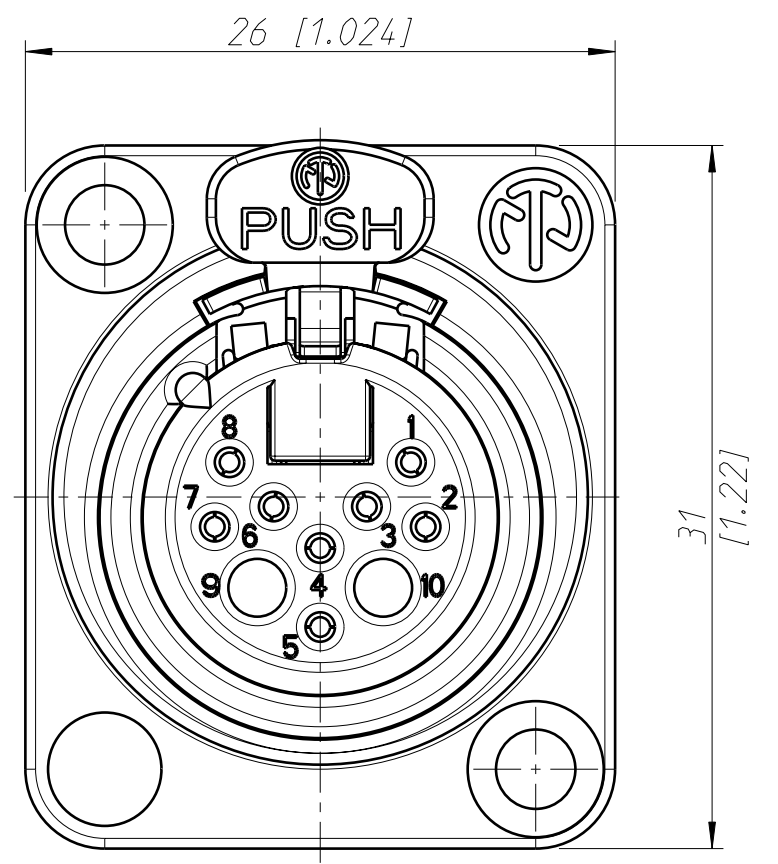
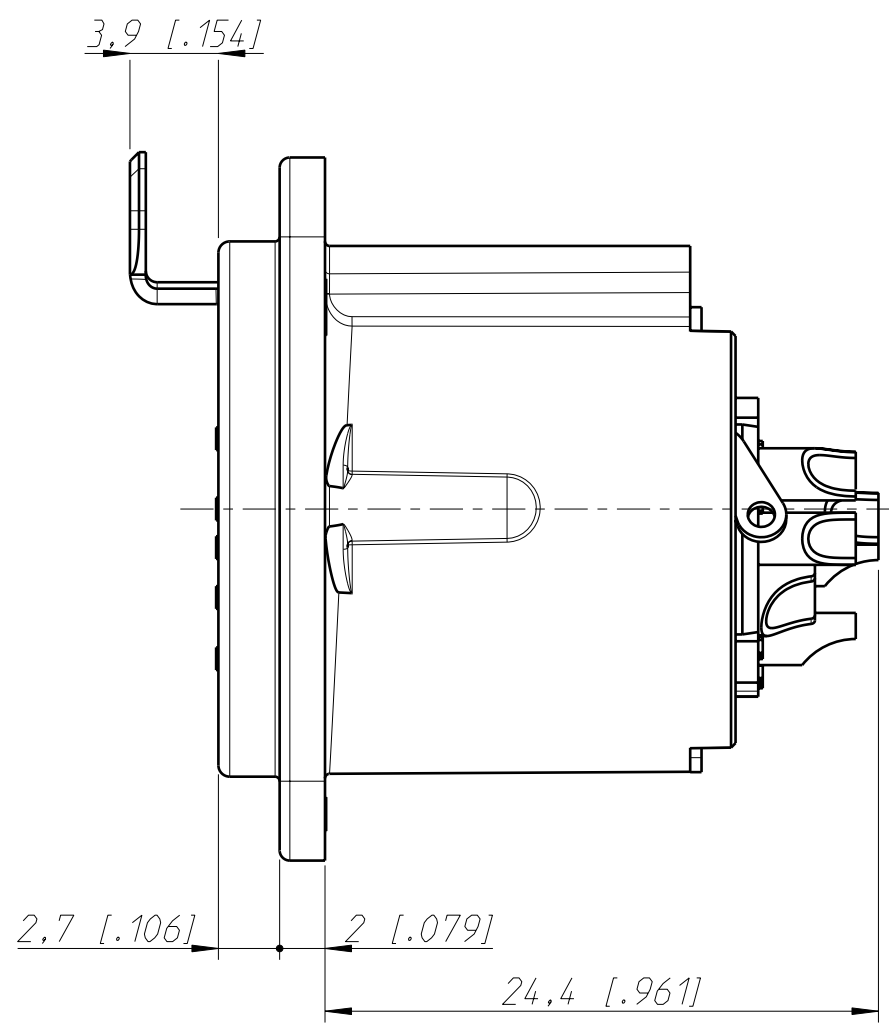


Frontplattenausschnitt (Rückseite)
panel cut out (rear side)



Refer to protection notice ISO 16016.	Scale 3:1 (A3)	Drawn	Date	Name
		Modified	16.02.16	Dobler
Name NC 10FD-LX	Change-No.	Sheet-No.	Index	
		-	1 / 1	-
Replacement for:		Drawing-No.		
NEUTRIK		ST-NC 10FD-LX		