

THIS DRAWING IS UNPUBLISHED.

RELEASED FOR PUBLICATION

20

© COPYRIGHT 20 BY -

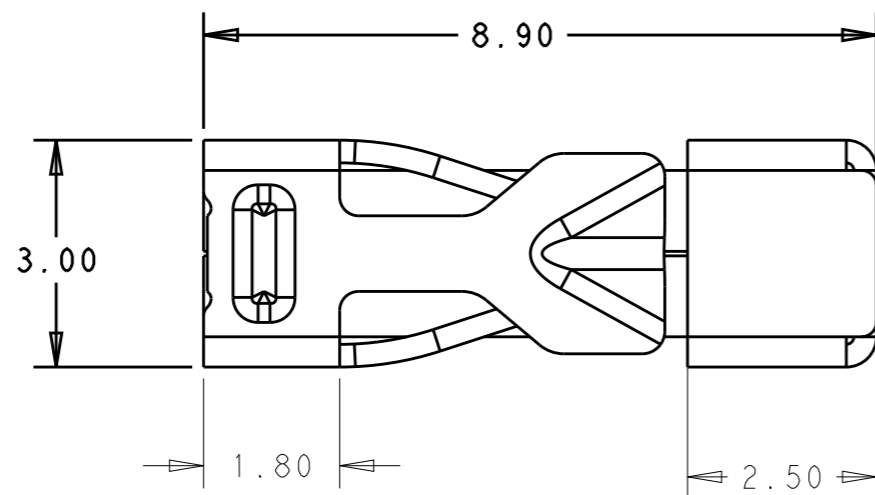
ALL RIGHTS RESERVED.

REVISIONS

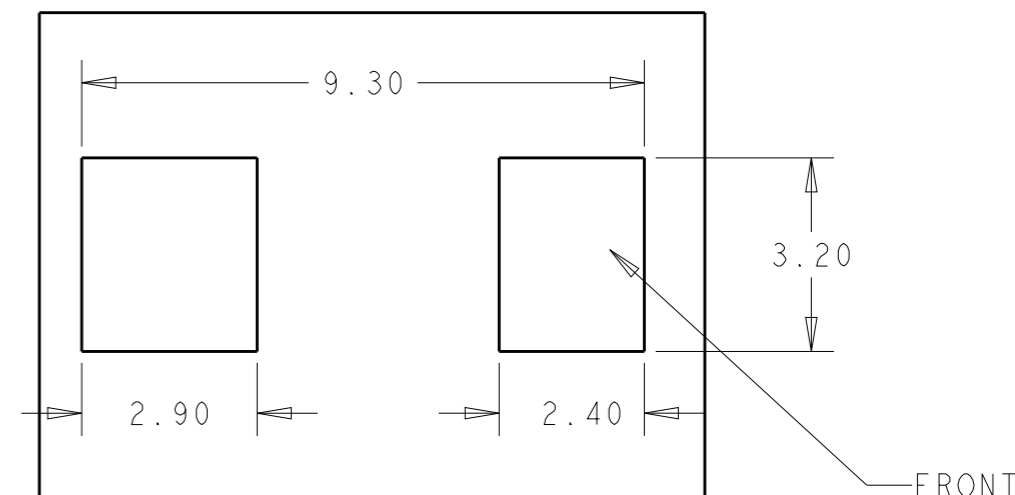
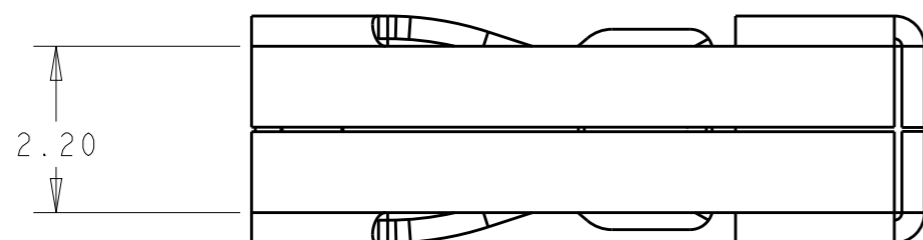
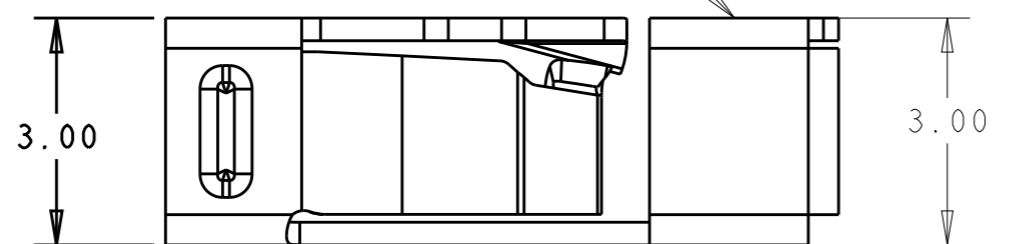
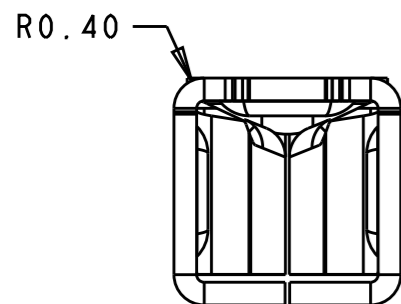
P	LTR	DESCRIPTION	DATE	DWN	APVD
	A	FIRST VERSION	04AUG2016	G.F	S.M
	A1	SHOW THE PART NO	26OCT2016	G.F	S.M

NOTES :

- MATERIALS AND FINISH:
CONTACTS: COPPER ALLOY, FINISH: TIN OVER NICKEL UNDERPLATE
- MUST COMPLY WITH DIRECTIVE 2002/95/EC (ROHS)
- THIS PRODUCT HAS NOT COMPLETED VALIDATION TESTING
- WIRE TYPES AND SIZES ACCEPTED
WIRE SIZE: 18AWG SOLID & STRANDED (CONDUCTOR NO:16)
20AWG SOLID & STRANDED (CONDUCTOR NO:26)
22AWG SOLID & STRANDED (CONDUCTOR NO:7)
TIN-DIPPED FOR ALL STRANDED WIRE.
MAX INSULATION OD: 2.05mm MAX.
STRIP LENGTH: 6.6+/-0.3mm
- PACKAGED IN TAPE AND REEL
- NO RECONNECTION OF SMALLER CONDUCTOR CROSS-SECTIONS AFTER 18AWG WIRE FIRST INSERTION



PICK&PLACE



RECOMMENDED PCB LAYOUT

SCALE 10:1

PART NO: 2834167-3

THIS DRAWING IS A CONTROLLED DOCUMENT.

DIMENSIONS: mm		TOLERANCES UNLESS OTHERWISE SPECIFIED:	
		0 PLC	±-
		1 PLC	±0.20
		2 PLC	±0.13
		3 PLC	±
		4 PLC ANGLES	±
MATERIAL TBD	FINISH -		

DWN	26OCT2016
CHK	GEORGE FU
APVD	26OCT2016
APVD	SHI MING
APVD	XU XIANG
PRODUCT SPEC	108-137166
APPLICATION SPEC	114-137166
WEIGHT	-
CUSTOMER DRAWING	

				TE Connectivity	
PRELIMINARY					
SMT RELEASABLE SLIM CONTACT					
SIZE	CAGE CODE	DRAWING NO	RESTRICTED TO		
A3	-	2834167	-		
SCALE		SHEET	OF	REV	
6:1		1	1	A1	