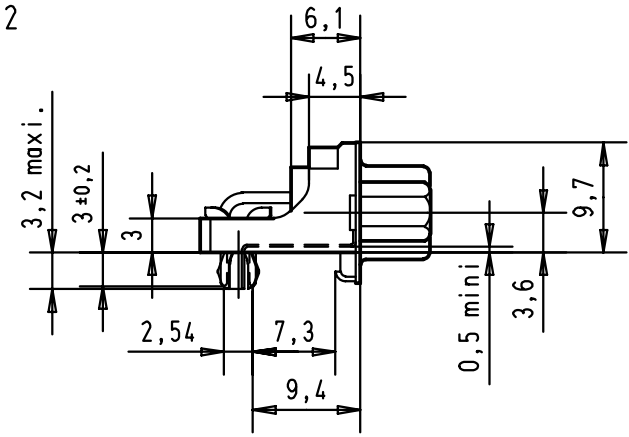
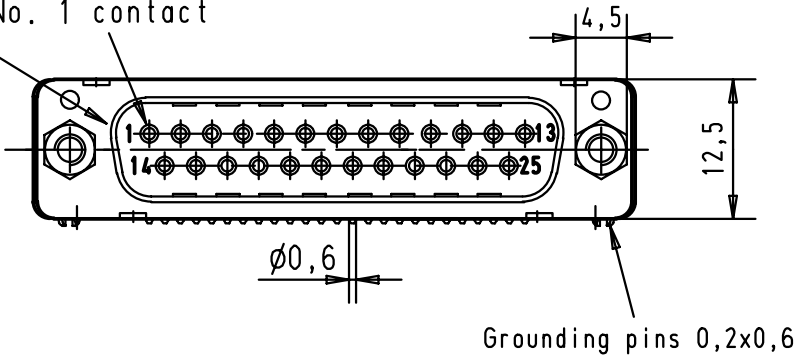


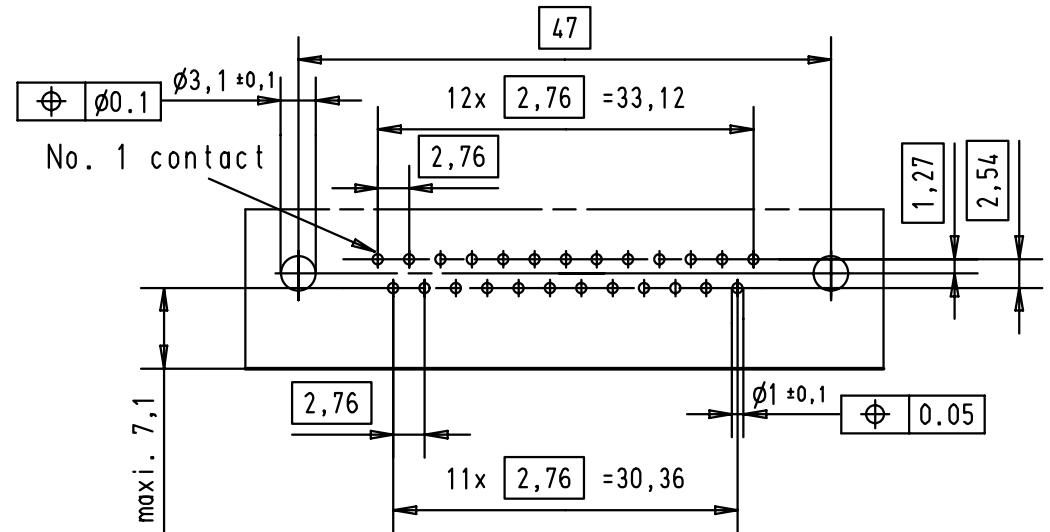
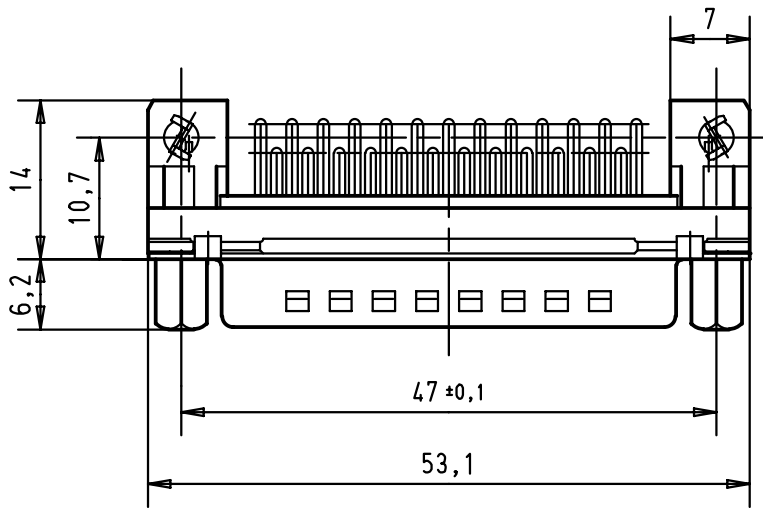
5 4 3 2 1

Mating face according to MIL-C-24308 / DIN 41 652 / CECC 75301-802

No. 1 contact



Printed board layout (1,6±0,2 thick)  
View component side  
(PCB plating = Tin)



Mounting force on Printed board : 25 - 80 N

						<table border="1"> <tr> <td></td> <td>Dat.</td> <td>Name</td> </tr> <tr> <td>Detail.</td> <td>23-NOV-01</td> <td>JB</td> </tr> <tr> <td>Insp.</td> <td></td> <td></td> </tr> <tr> <td>Stand.</td> <td></td> <td></td> </tr> </table>			Dat.	Name	Detail.	23-NOV-01	JB	Insp.			Stand.			<p>All Dim. in mm Orig. Size DIN A 4</p>	<p>D-Sub male low profile 25 poles with solder pins, screw-lock, board lock and grounding pins</p>	<p>Maßstab/ Scale 1,5:1</p>
	Dat.	Name																				
Detail.	23-NOV-01	JB																				
Insp.																						
Stand.																						
09 66 362 6817	4-40 UNC	2																				
09 66 362 7817	4-40 UNC	3																				
09 66 362 5817	4-40 UNC	0,76 µm Au	29733	23-NOV-01	JB	<p>HARTING EURL F-95972 Paris</p>		<p>TB 09 66 362 X81x</p>	<p>Blatt/ Page 5</p>													
Part number	screw-lock	Performance level	Mod.	Dat.	Name	<p>Sub.</p>																