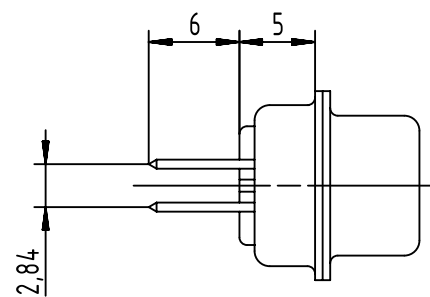
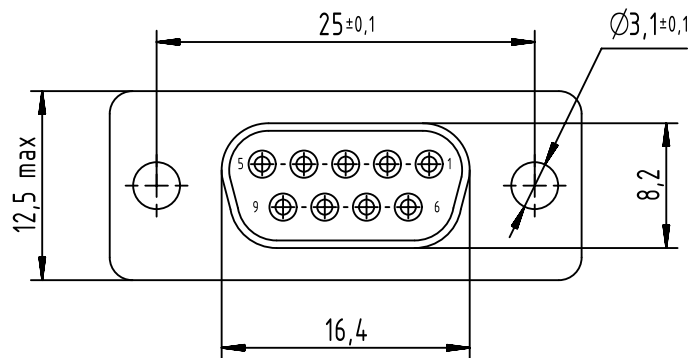


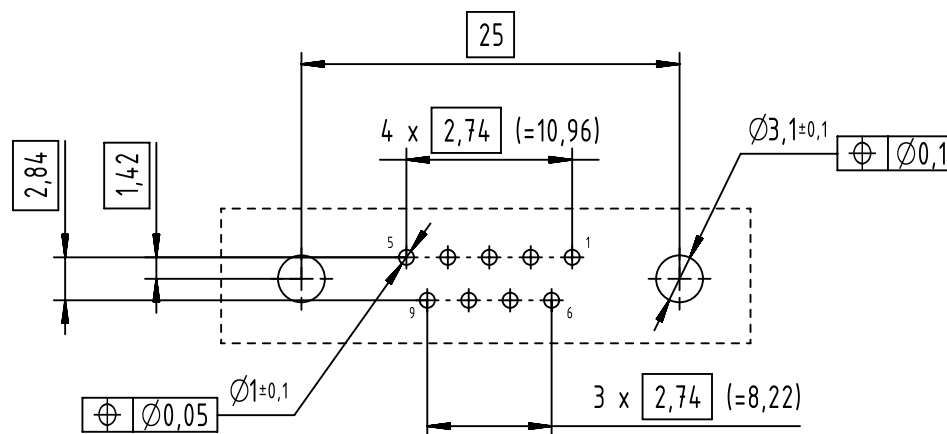
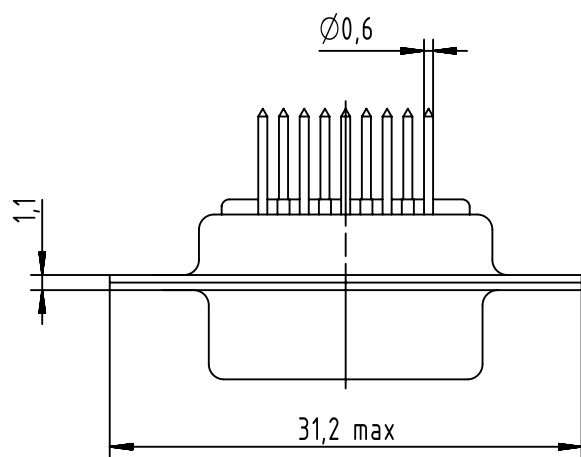
1 2 3 4 5 6

A



PC-Board layout
view component side

B



C

D

09 67 009 4755	PL2
09 67 009 4754	PL3
Part number	Performance level

	All rights reserved Department EC PD - FR	All Dimensions in mm Original Size DIN A4		Scale 2:1	Free size tol.	Ref.
		Created by SONN	Inspected by BAGDIKIAN	Standardisation HOFFMANN	Date 2014-06-02	State Final Release
HARTING Electronics GmbH D-32339 Espelkamp		Title D-Sub 9-Pole Female Straight			Doc-Key / ECM-Nr. 100577902/UGD/001/A 500000074980	
		Type TB	Number 0967009475X		Rev. A	Page 1/1