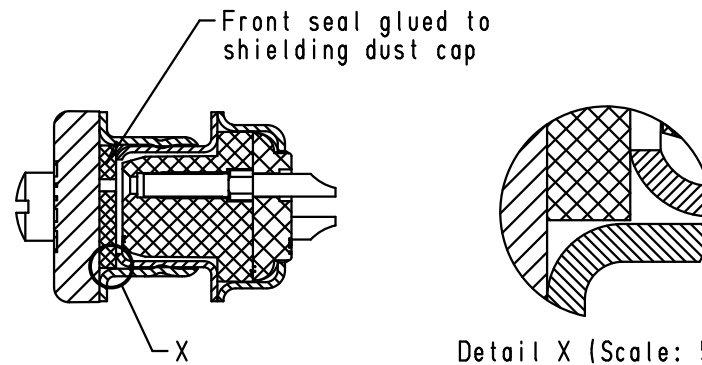
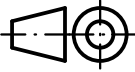



IP 67 shielding concept



				Dot.	Name	 <p>All Dim. in mm Orig. Size DIN A 4</p>	IP 67 male metal shielding cap, tin plated shell with dimples for 25 poles female D-Sub with screw locks	Maßstab/ Scale	
				Detail.	12/04/07			PK	2:1
				Insp.					
				Stand.					
	34906	18/04/08	PK	HARTING EURL F-95972 Paris				TB 09 67 002 9057	Blatt/ Page
	33977	12/04/07	PK						1 / 1
	Mod.	Dot.	Name					Sub.	

D
C
B
A