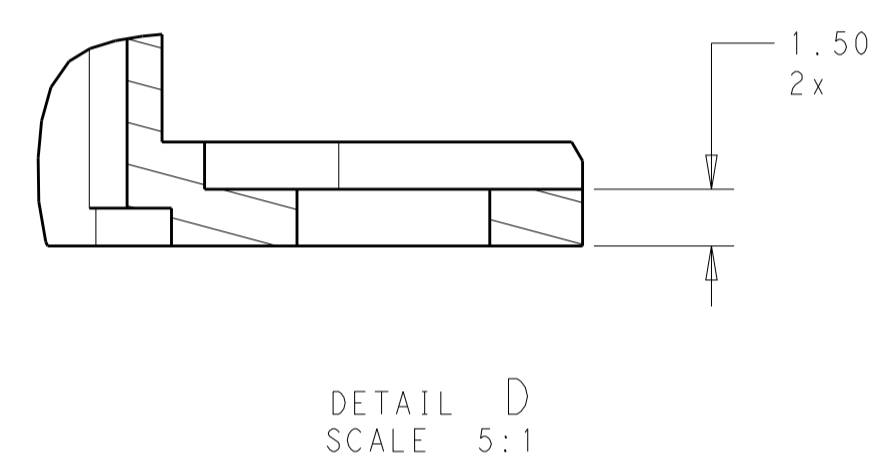
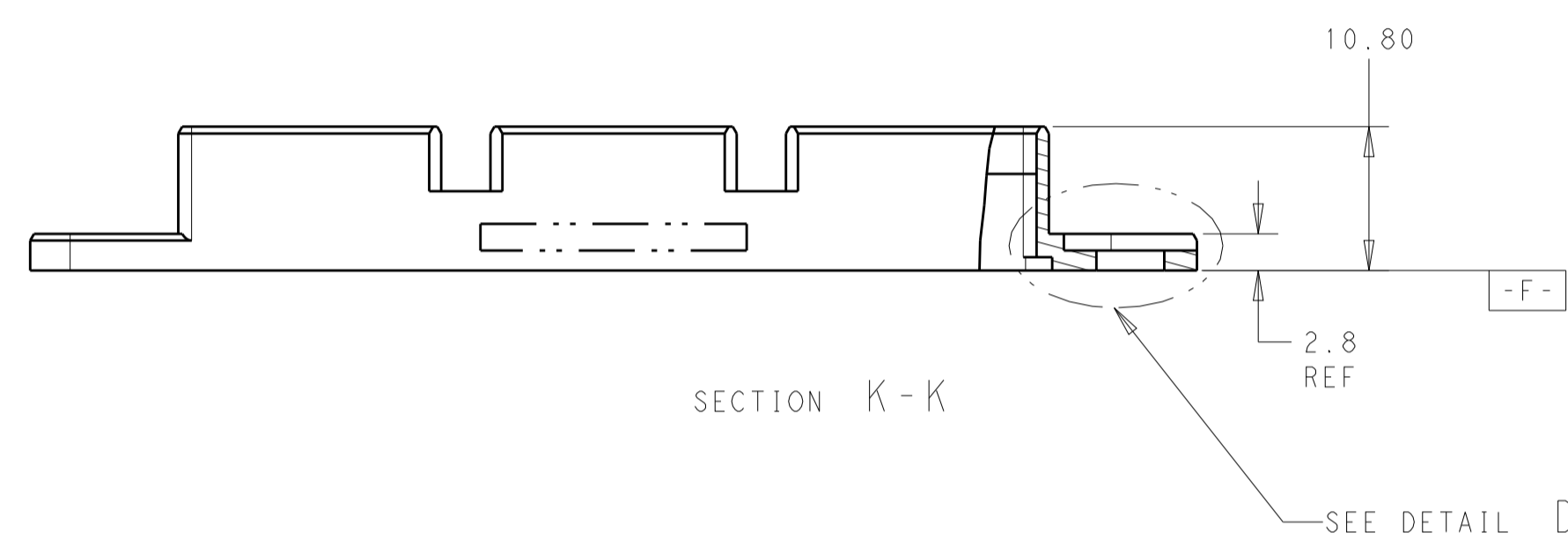
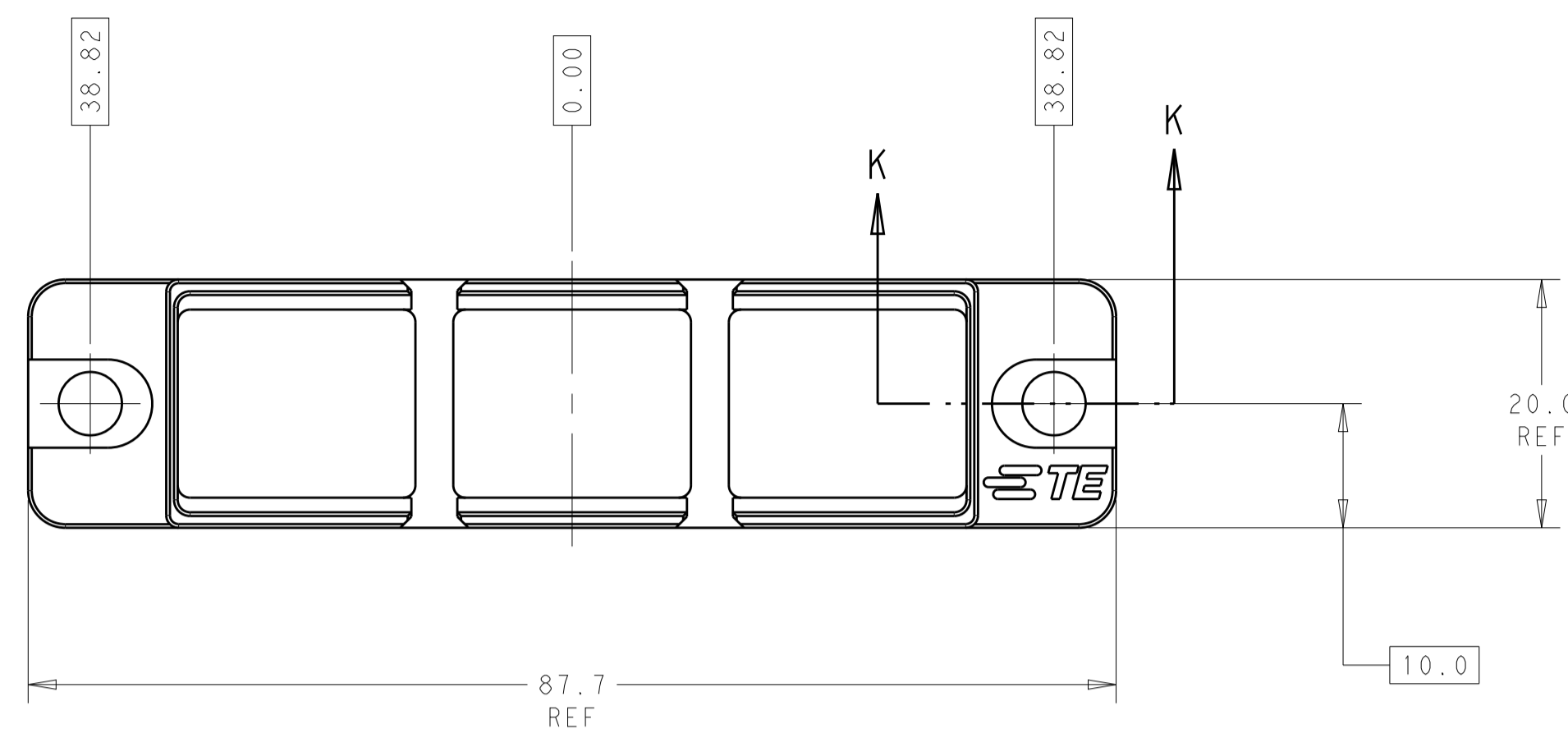
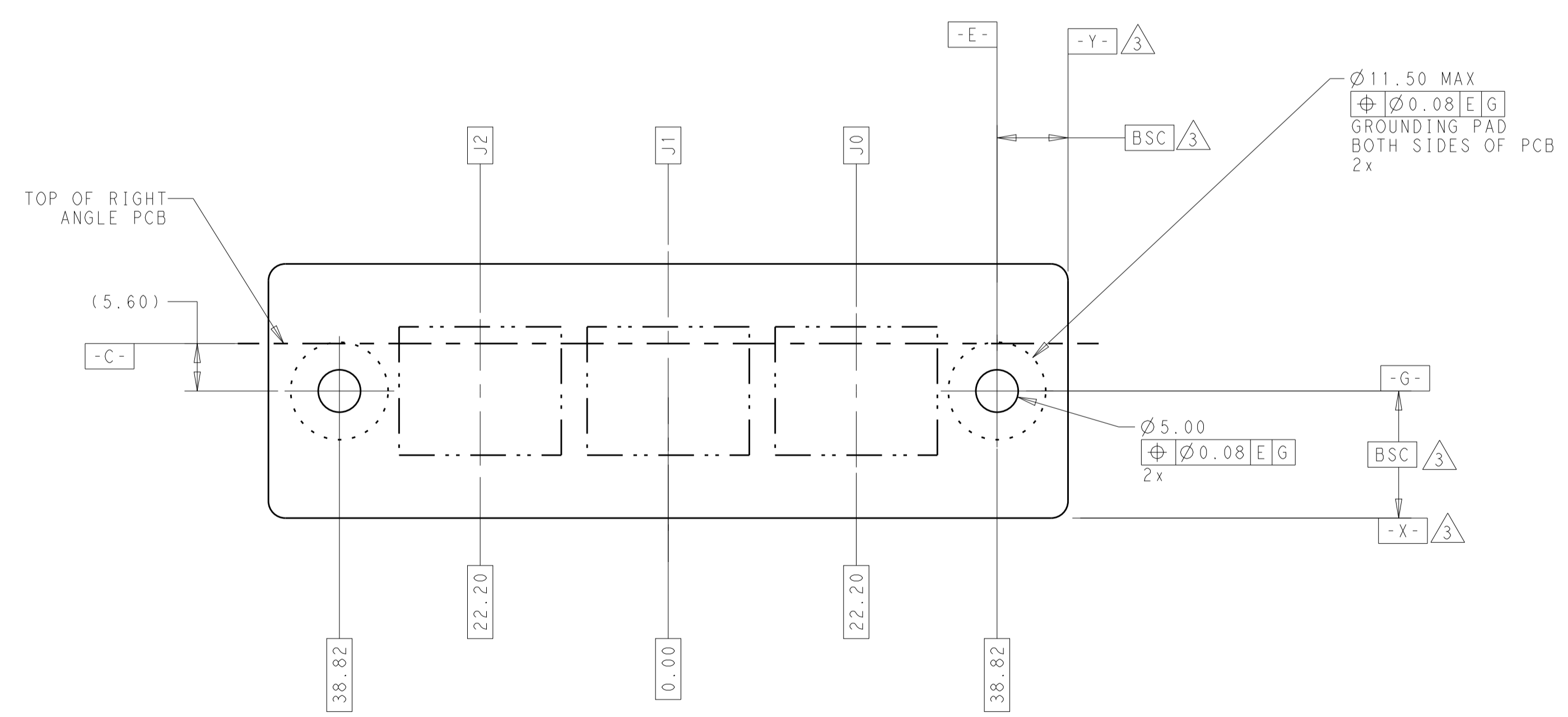


REVISIONS				
P.	LTN	DESCRIPTION	DATE	APPROV
2		ADDED NEW DASH NUMBER	24APR2014	DCB KT
3		ADDED NEW DASH NUMBER	21MAY2014	DCB KT
5		ECO-15-001933	24FEB2015	KG DH



## 2226784-1 SHOWN



- 1 MATERIAL: ALUMINUM ALLOY
- 2 FINISH: TRIVALENT CHROMATE, 96 HOUR SALT SPRAY CAPABLE.
- 3 DATUMS AND BASIC DIMENSIONS ESTABLISHED BY CUSTOMER.

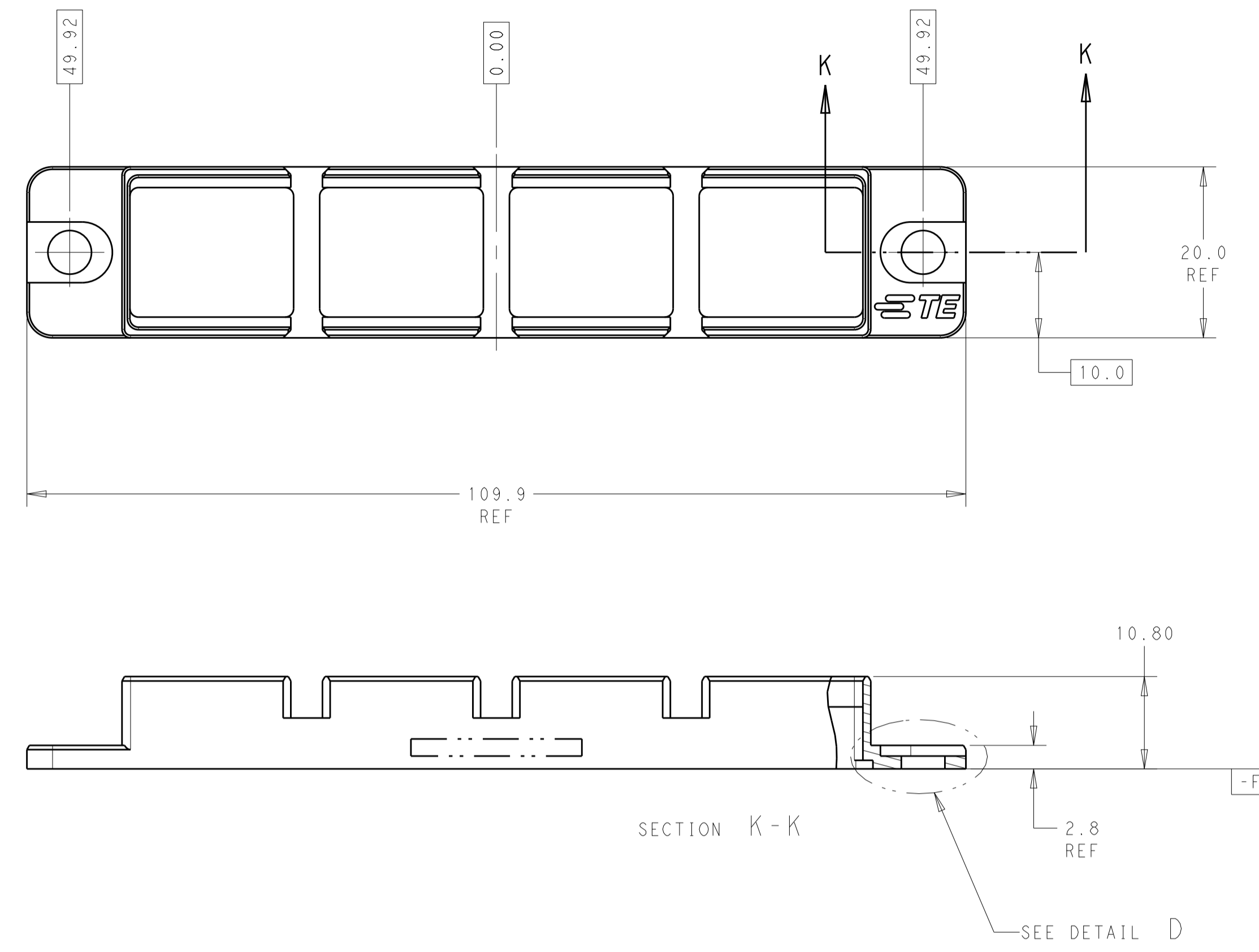
## PCB INSERT LOCATIONS

31.1	4	8	2226784-5
29.3	3	8	2226784-4
34.2	4	9	2226784-3
15.1	2	4	2226784-2
12.0	2	3	2226784-1
APPROX. WEIGHT g	SHELL TO PCB MOUNTING POINTS	# OF BAYS	PART NUMBER

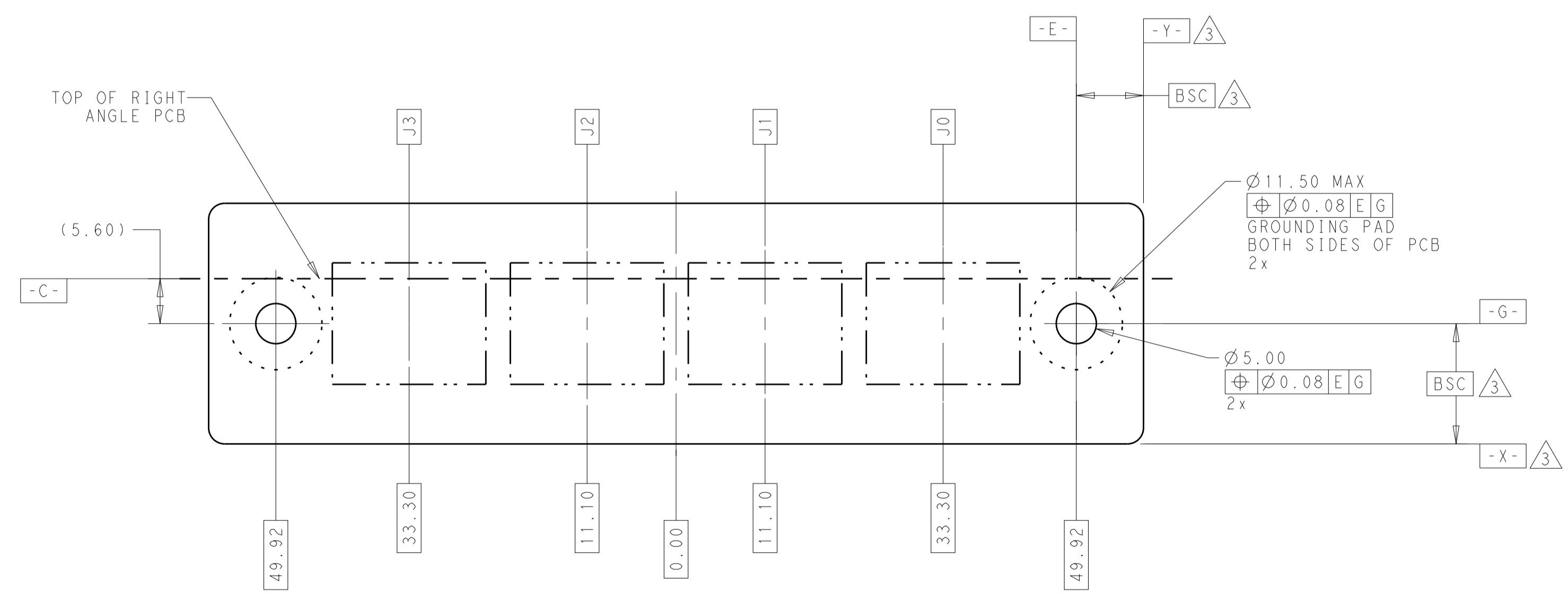
THIS PRINT IS  
**PRELIMINARY**  
 UNQUALIFIED PRODUCT  
 CONTACT PRODUCT ENGINEERING  
 BEFORE USING THIS PRINT

THIS DRAWING IS A CONTROLLED DOCUMENT.		DWN D BELACK 18NOV2013	<b>PRELIMINARY</b>	
DIMENSIONS: mm		CHK K THACKSTON		
TOLERANCES UNLESS OTHERWISE SPECIFIED:		APPR M McALONIS	NAME For his Zc LRM, BACKPLANE, VERTICAL, SHELL ASSEMBLY	
0 PLC ±0.13	1 PLC ±0.08	PRODUCT SPEC 108-2474	SIZE CAGE CODE DRAWING NO RESTRICTED TO	
2 PLC ±0.08	3 PLC ±0.025	APPLICATION SPEC 408-10464	A1 - C=2226784	
4 PLC ±0.025	ANGLES ±2°	WEIGHT	SCALE 2:1 SHEET 1 OF 5 REV 5	
MATERIAL 1	FINISH 2	Customer Drawing		

REVISIONS				
P.	LTN.	DESCRIPTION	DATE	APVD.
-	-	SEE SHEET 1	-	-



2226784-2 SHOWN

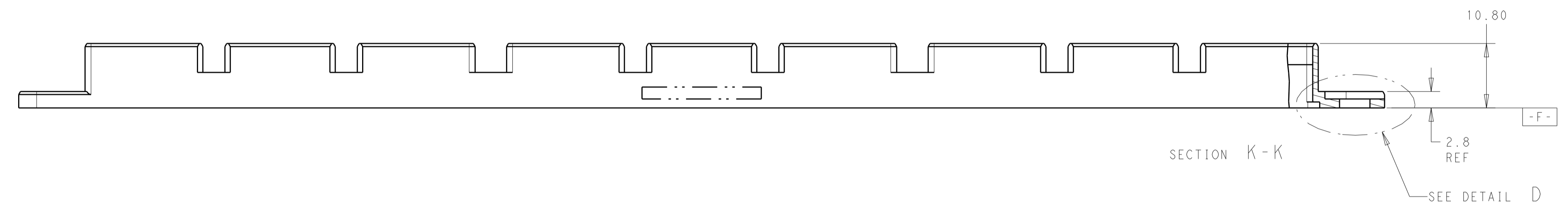
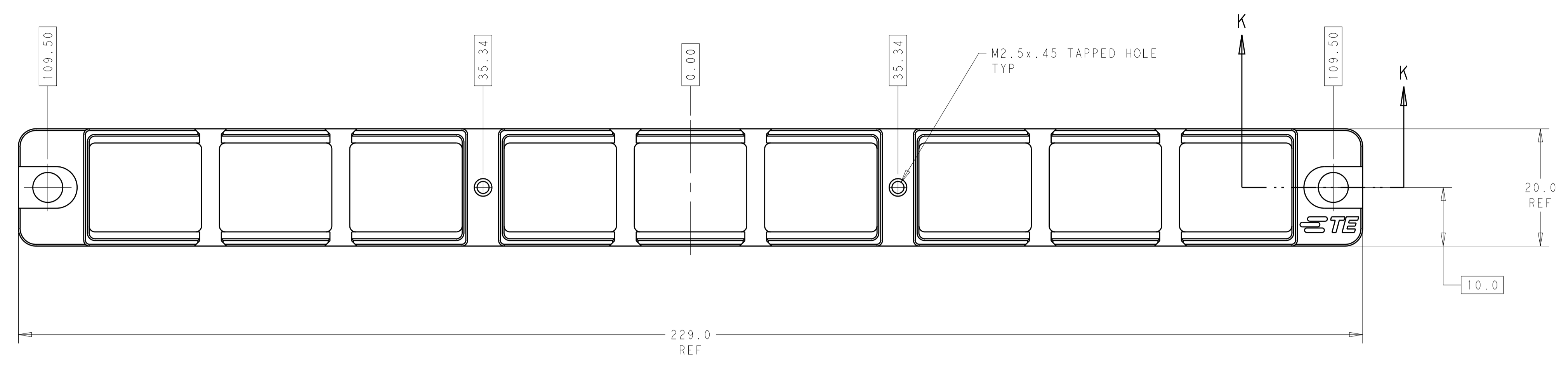


THIS PRINT IS  
**PRELIMINARY**  
 UNQUALIFIED PRODUCT  
 CONTACT PRODUCT ENGINEERING  
 BEFORE USING THIS PRINT

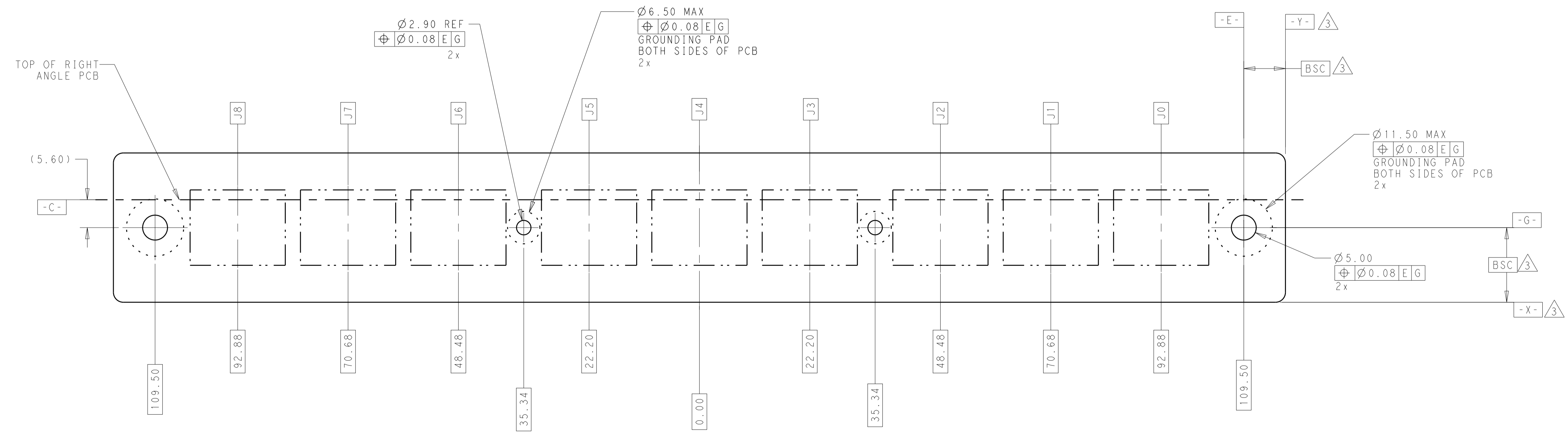
PCB INSERT LOCATIONS

THIS DRAWING IS A CONTROLLED DOCUMENT.		DWN D. BELACK 18NOV2013	TE Connectivity
DIMENSIONS: mm		CHK K. THACKSTON	
TOLERANCES UNLESS OTHERWISE SPECIFIED: 0 PLC ±0.13 2 PLC ±0.08 3 PLC ±0.08 4 PLC ±0.025 ANGLES ±2°		APVD M. McALONIS	NAME Fortis Zd LRM, BACKPLANE, VERTICAL, SHELL ASSEMBLY
MATERIAL		PRODUCT SPEC 108-2474	SIZE A1
FINISH		APPLICATION SPEC 408-10464	CAGE CODE -
WEIGHT		Customer Drawing	RESTRICTED TO
SCALE 1:1		SHEET 2 OF 5	REV 5

REVISIONS				
P.	LTN.	DESCRIPTION	DATE	APVD.
-	-	SEE SHEET 1	-	-



## 2226784-3 SHOWN

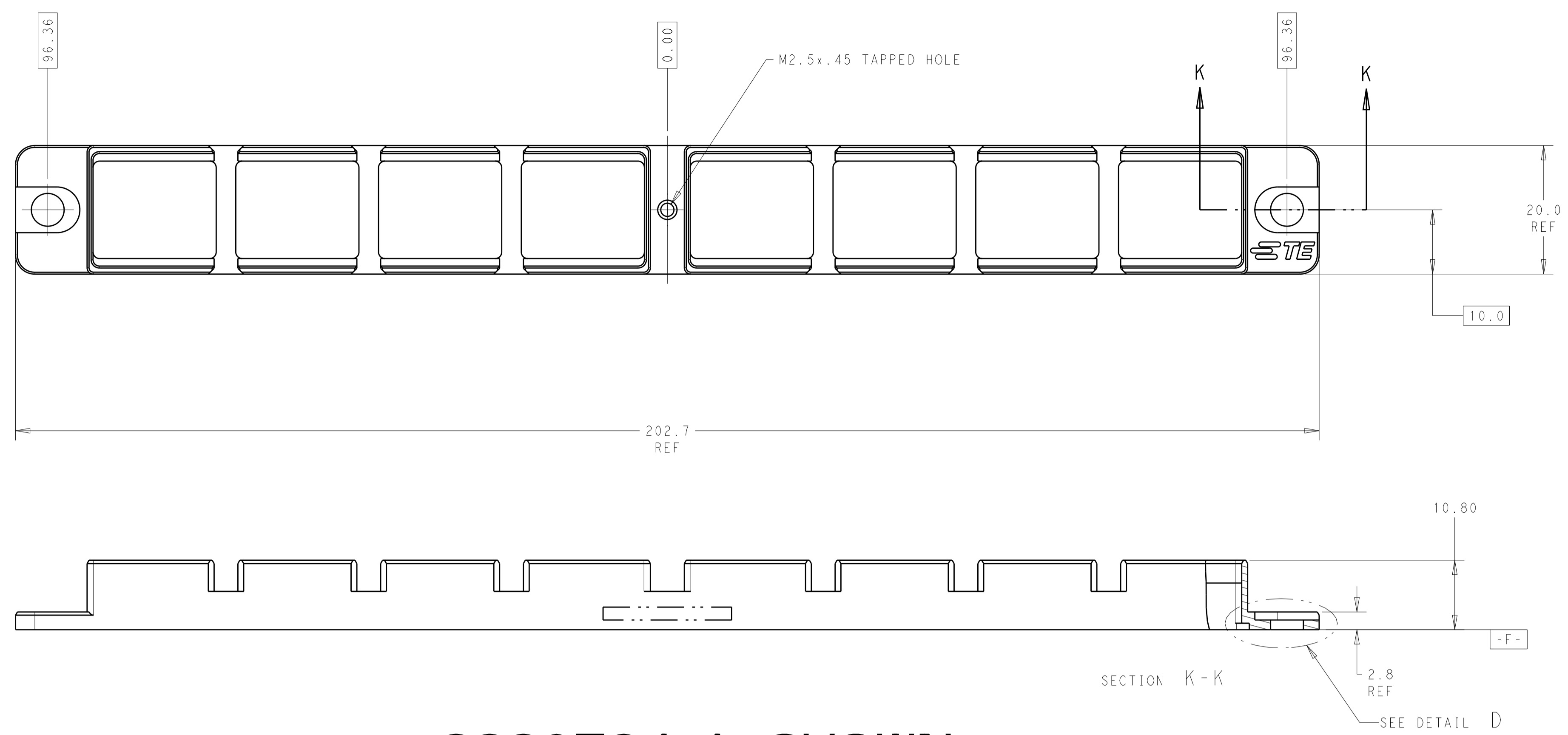


THIS PRINT IS  
**PRELIMINARY**  
 UNQUALIFIED PRODUCT  
 CONTACT PRODUCT ENGINEERING  
 BEFORE USING THIS PRINT

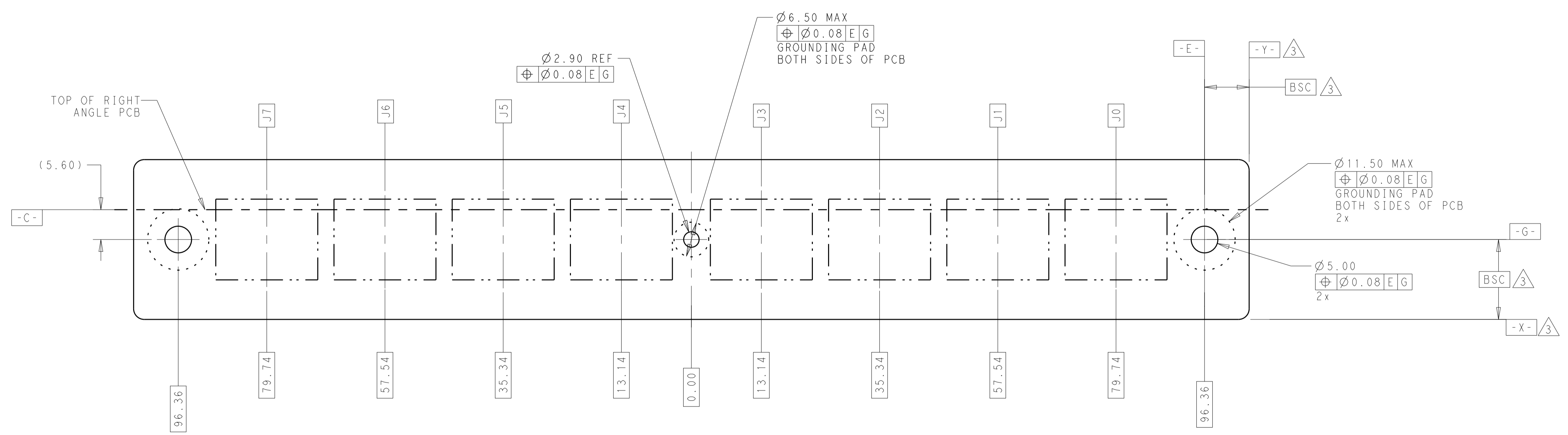
## PCB INSERT LOCATIONS

THIS DRAWING IS A CONTROLLED DOCUMENT.		DWN: D. BELACK 18NOV2013	TE Connectivity Fortis Zd LRM, BACKPLANE, VERTICAL, SHELL ASSEMBLY
DIMENSIONS: mm		CHK: K. THACKSTON	
TOLERANCES UNLESS OTHERWISE SPECIFIED:		APVD: M. McALONIS	NAME: -
0 PLC	±	PRODUCT SPEC	108-2474
1 PLC	±0.13	APPLICATION SPEC	408-10464
2 PLC	±0.08	WEIGHT	-
3 PLC	±0.025	SIZE	A1
4 PLC	±	CAGE CODE	-
ANGLES	±2°	DRAWING NO	C=2226784
MATERIAL	FINISH	RESTRICTED TO	-
1	2	Customer Drawing	SCALE 1:1 SHEET 3 OF 5 REV 5

REVISIONS				
P.	LTN.	DESCRIPTION	DATE	APVD.
-	-	SEE SHEET 1	-	-



## 2226784-4 SHOWN

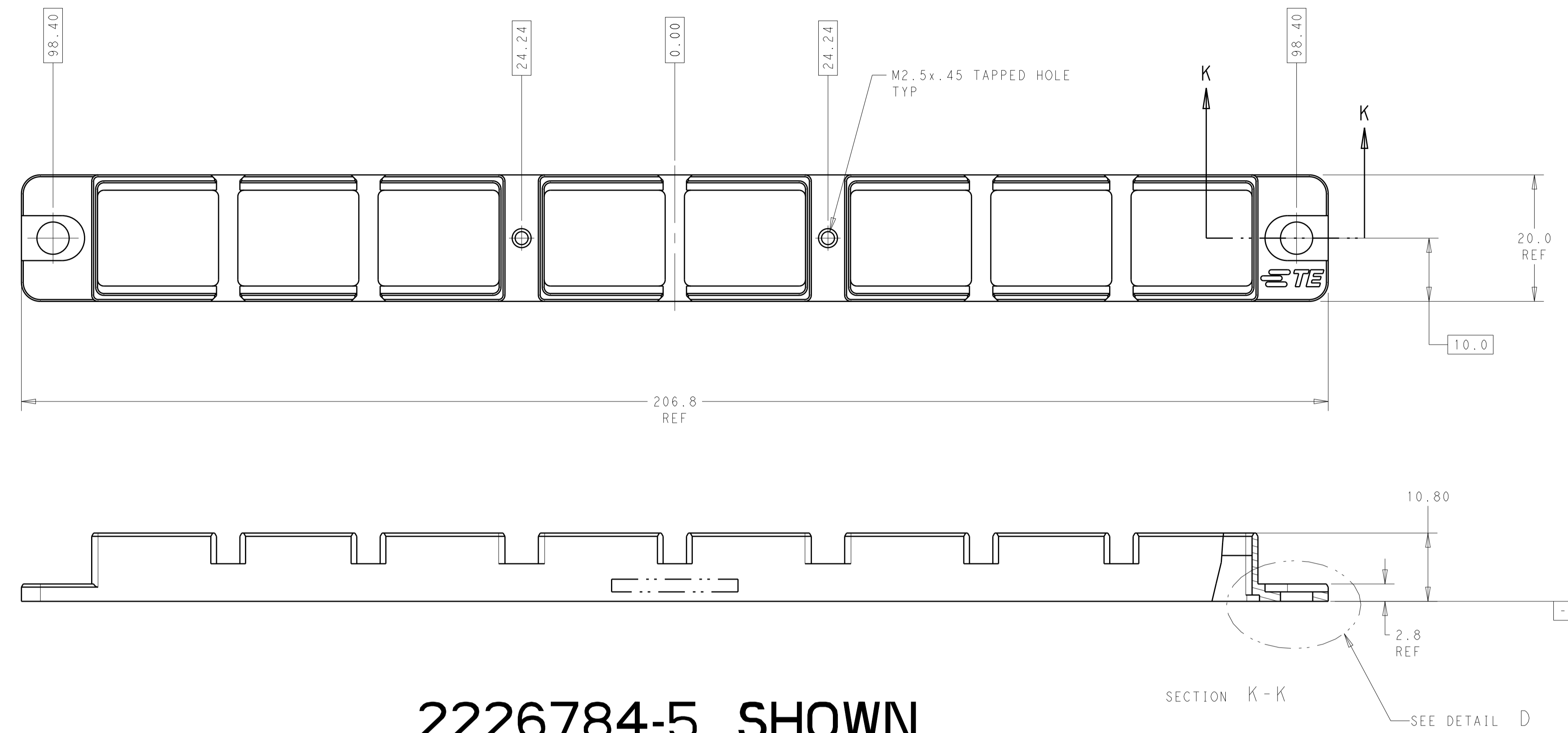


## PCB INSERT LOCATIONS

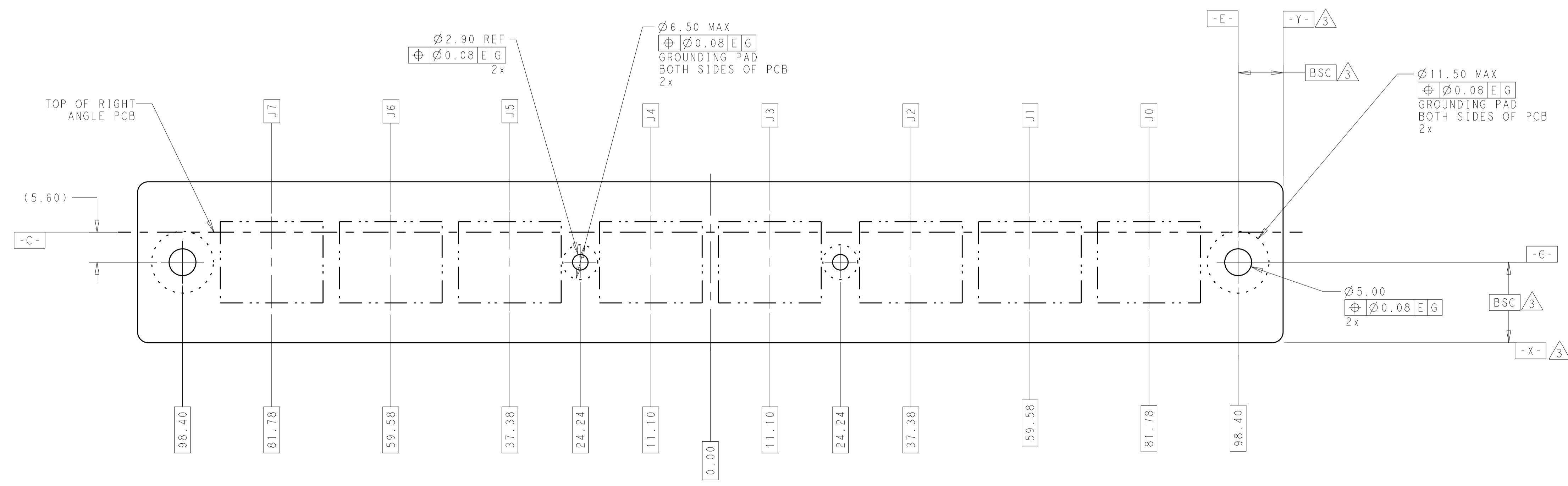
THIS PRINT IS  
**PRELIMINARY**  
 UNQUALIFIED PRODUCT  
 CONTACT PRODUCT ENGINEERING  
 BEFORE USING THIS PRINT

THIS DRAWING IS A CONTROLLED DOCUMENT.		DWN: D. BELACK 18NOV2013	TE Connectivity
DIMENSIONS: mm		CHK: K. THACKSTON	
TOLERANCES UNLESS OTHERWISE SPECIFIED:		APVD: M. McALONIS	NAME: Fortis Zd LRM, BACKPLANE, VERTICAL, SHELL ASSEMBLY
0 PLC ±0.13	1 PLC ±0.08	PRODUCT SPEC: 108-2474	SIZE: A1
2 PLC ±0.08	3 PLC ±0.025	APPLICATION SPEC: 408-10464	CAGE CODE: C=2226784
4 PLC ±0.025	ANGLES ±2°	WEIGHT: -	RESTRICTED TO: -
MATERIAL: -	FINISH: -	Customer Drawing	SCALE: 1:1 SHEET: 4 OF 5 REV: 5

REVISIONS				
P.	LTN.	DESCRIPTION	DATE	APP'D.
-	-	SEE SHEET 1	-	-



# 2226784-5 SHOWN



# PCB INSERT LOCATIONS

THIS PRINT IS  
**PRELIMINARY**  
 UNQUALIFIED PRODUCT  
 CONTACT PRODUCT ENGINEERING  
 BEFORE USING THIS PRINT

THIS DRAWING IS A CONTROLLED DOCUMENT.		DWN: D. BELACK 18NOV2013	TE Connectivity NAME: Fortis Zd LRM, BACKPLANE, VERTICAL, SHELL ASSEMBLY
DIMENSIONS: mm		CHK: K. THACKSTON	
TOLERANCES UNLESS OTHERWISE SPECIFIED:		APVD: M. McALONIS	PRODUCT SPEC: 108-2474
0 PLC ±0.13	1 PLC ±0.08	2 PLC ±0.025	APPLICATION SPEC: 408-10464
3 PLC ±0.08	4 PLC ±0.025	ANGLES ±2°	WEIGHT: -
MATERIAL:	FINISH:	SIZE: A1	SCALE: 2:1
Customer Drawing		RESTRICTED TO: -	SHEET 5 OF 5