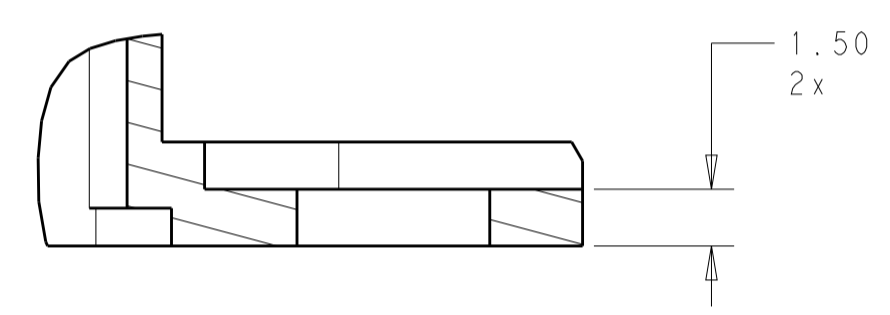
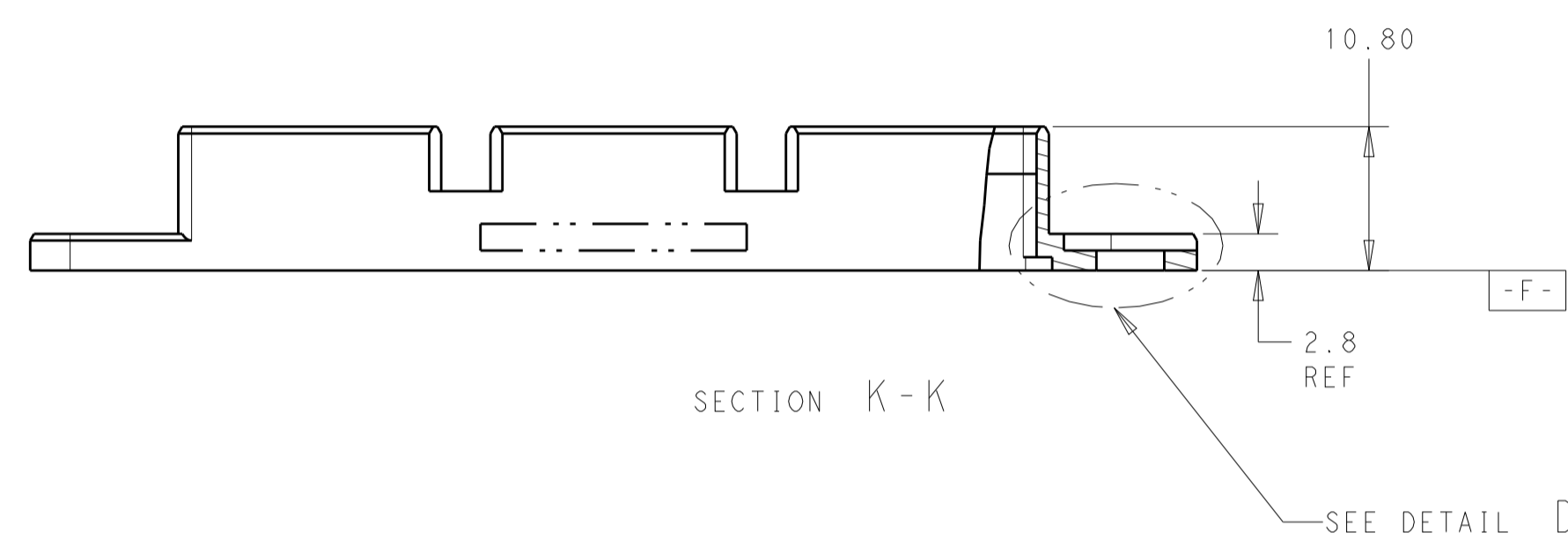
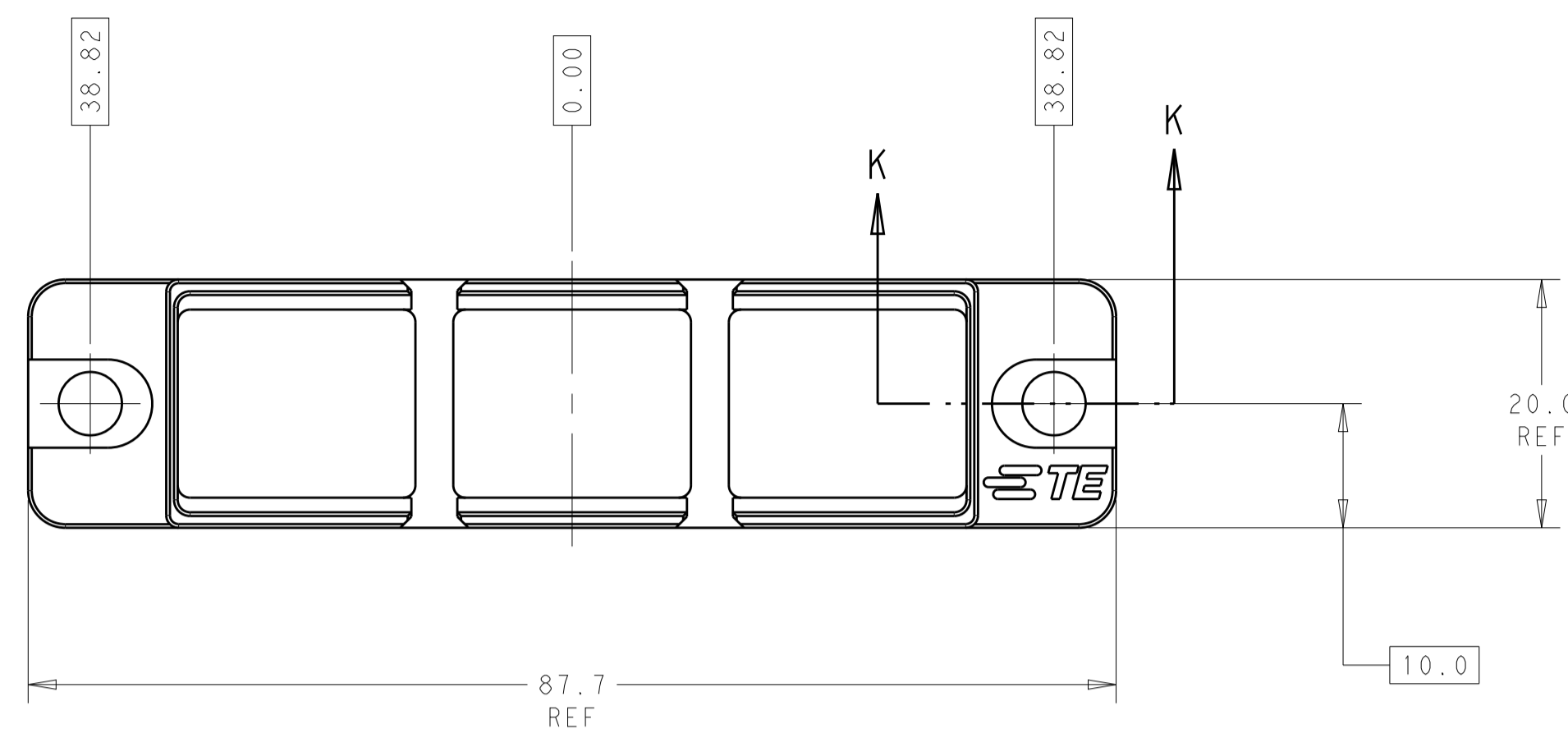
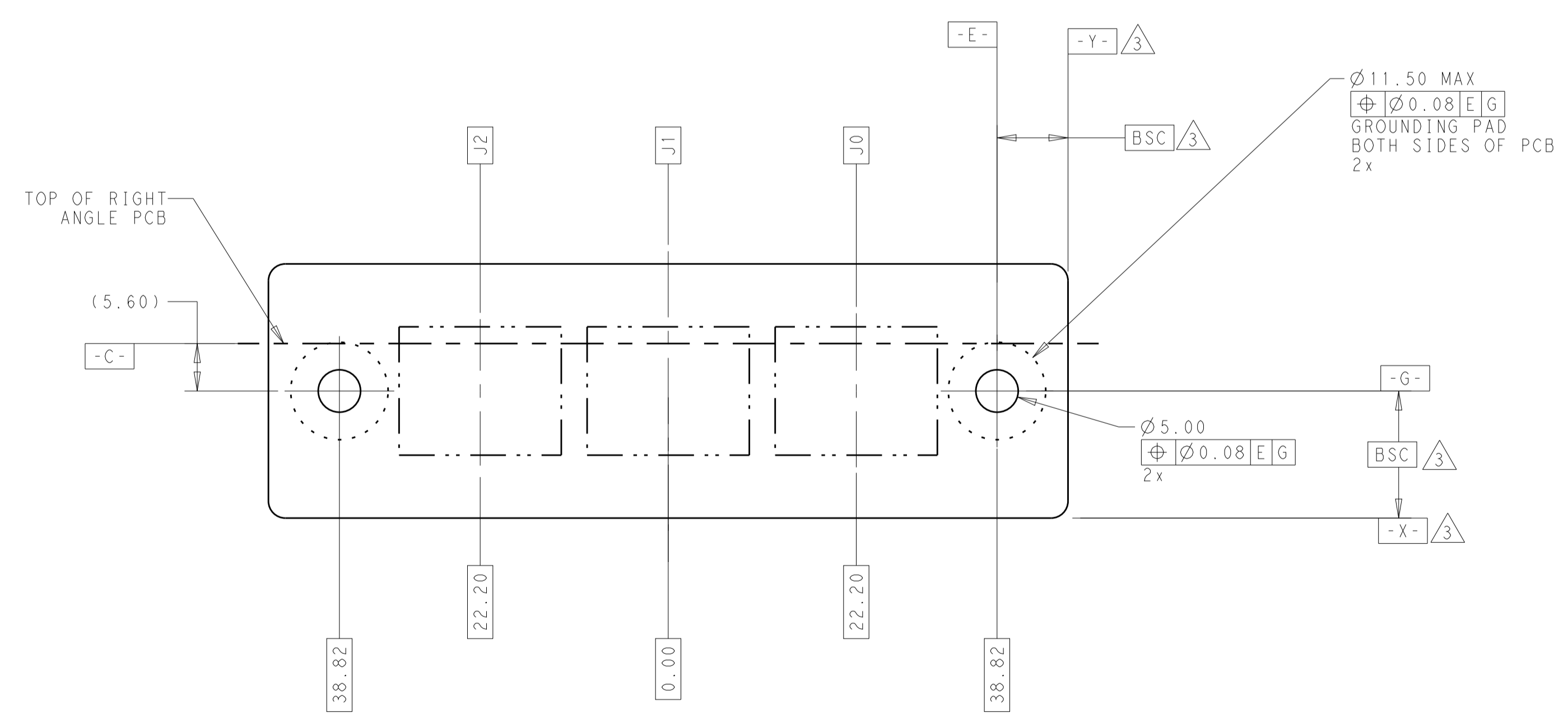


REVISIONS				
P.	LTN	DESCRIPTION	DATE	APPROV
2		ADDED NEW DASH NUMBER	24APR2014	DCB KT
3		ADDED NEW DASH NUMBER	21MAY2014	DCB KT
5		ECO-15-001933	24FEB2015	KG DH



DETAIL D
SCALE 5:1

2226784-1 SHOWN



- 1 MATERIAL: ALUMINUM ALLOY
- 2 FINISH: TRIVALENT CHROMATE, 96 HOUR SALT SPRAY CAPABLE.
- 3 DATUMS AND BASIC DIMENSIONS ESTABLISHED BY CUSTOMER.

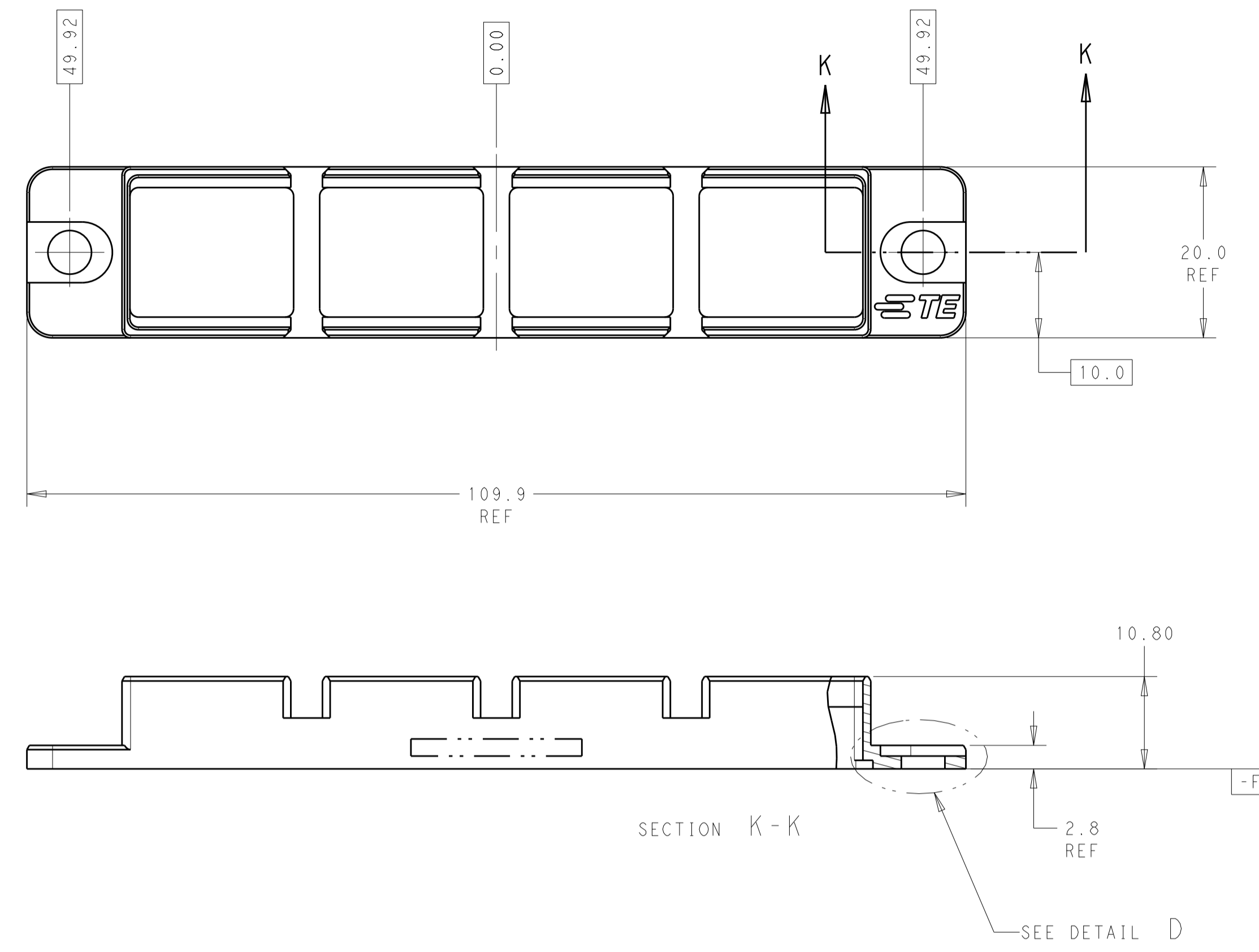
PCB INSERT LOCATIONS

31.1	4	8	2226784-5
29.3	3	8	2226784-4
34.2	4	9	2226784-3
15.1	2	4	2226784-2
12.0	2	3	2226784-1
APPROX. WEIGHT g	SHELL TO PCB MOUNTING POINTS	# OF BAYS	PART NUMBER

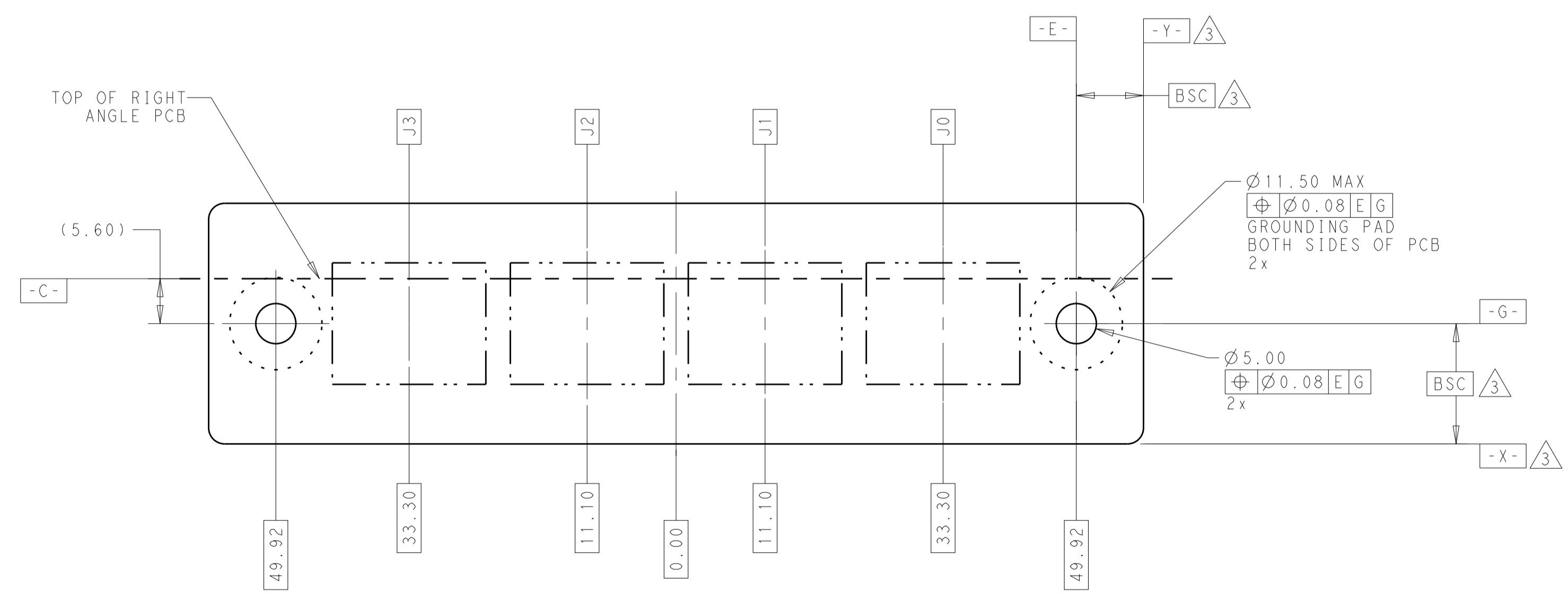
THIS PRINT IS
PRELIMINARY
 UNQUALIFIED PRODUCT
 CONTACT PRODUCT ENGINEERING
 BEFORE USING THIS PRINT

THIS DRAWING IS A CONTROLLED DOCUMENT.		DWN D BELACK 18NOV2013	PRELIMINARY	
DIMENSIONS: mm		CHK K THACKSTON		
TOLERANCES UNLESS OTHERWISE SPECIFIED:		APPR M McALONIS	NAME For his Zc LRM, BACKPLANE, VERTICAL, SHELL ASSEMBLY	
0 PLC ±0.13		PRODUCT SPEC 108-2474	SIZE CAGE CODE DRAWING NO RESTRICTED TO	
2 PLC ±0.08		APPLICATION SPEC 408-10464	A1 - C=2226784	
3 PLC ±0.025		WEIGHT	SCALE 2:1 SHEET 1 OF 5 REV 5	
4 PLC ±0.2		Customer Drawing		
ANGLES ±2°				
MATERIAL 1				
FINISH 2				

REVISIONS				
P.	LTN.	DESCRIPTION	DATE	APVD.
-	-	SEE SHEET 1	-	-



2226784-2 SHOWN

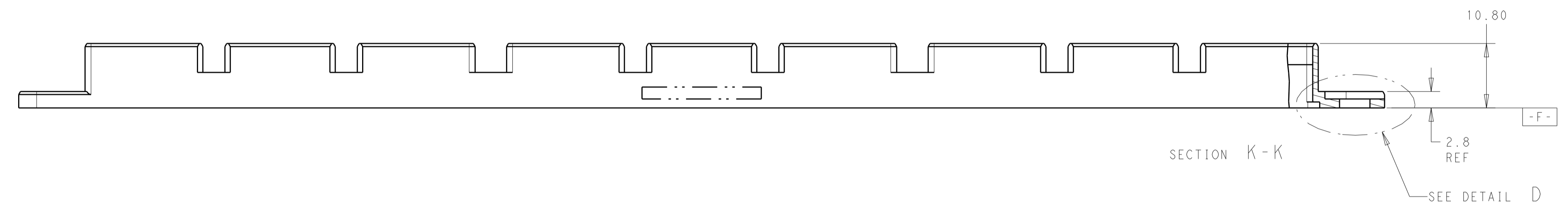
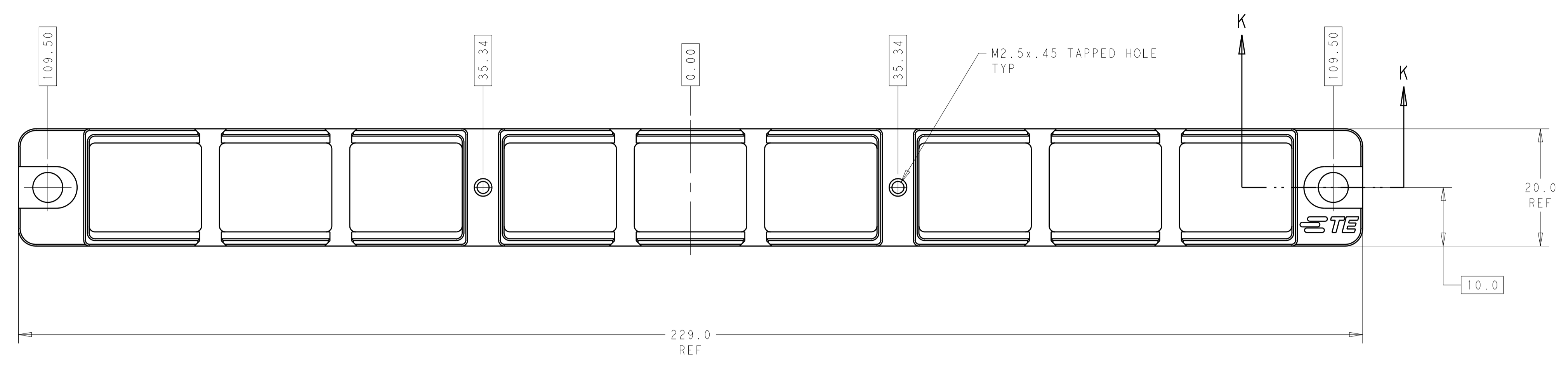


THIS PRINT IS
PRELIMINARY
 UNQUALIFIED PRODUCT
 CONTACT PRODUCT ENGINEERING
 BEFORE USING THIS PRINT

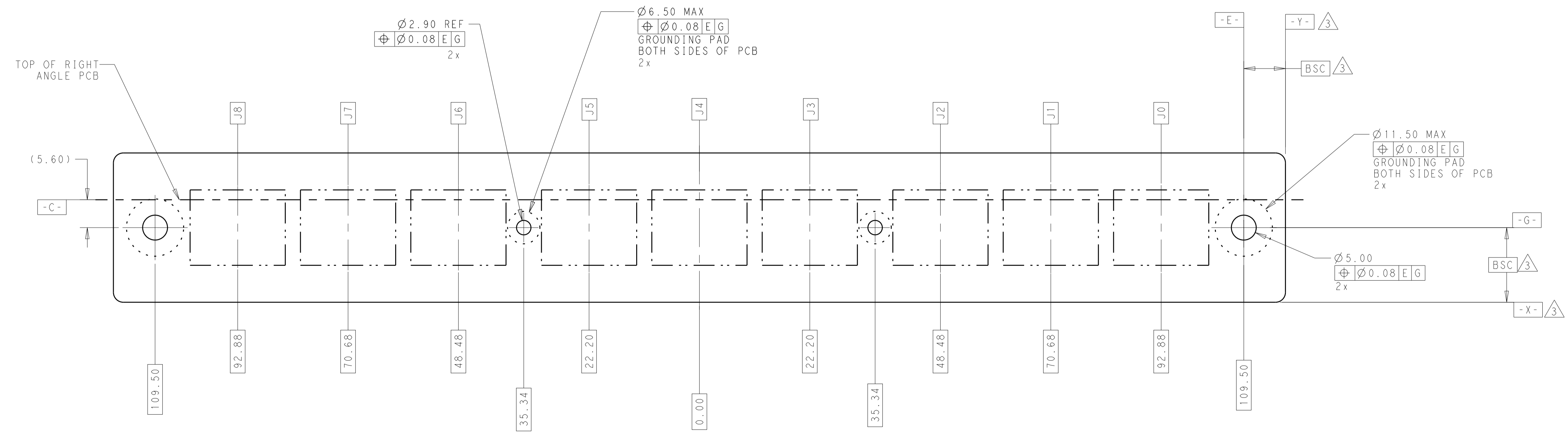
PCB INSERT LOCATIONS

THIS DRAWING IS A CONTROLLED DOCUMENT.		DWN: D. BELACK 18NOV2013	TE Connectivity
DIMENSIONS: mm		CHK: K. THACKSTON	
TOLERANCES UNLESS OTHERWISE SPECIFIED: 0 PLC ±0.13 2 PLC ±0.08 3 PLC ±0.08 4 PLC ±0.025 ANGLES ±2°		APVD: M. McALONIS	NAME: Fortis Zd LRM, BACKPLANE, VERTICAL, SHELL ASSEMBLY
MATERIAL: 1		FINISH: 2	PRODUCT SPEC: 108-2474
			APPLICATION SPEC: 408-10464
			SIZE: A1
			RESTRICTED TO: -
			SCALE: 1:1
			SHEET 2 OF 5
			REV 5

REVISIONS				
P.	LTN.	DESCRIPTION	DATE	APVD.
-	-	SEE SHEET 1	-	-



2226784-3 SHOWN

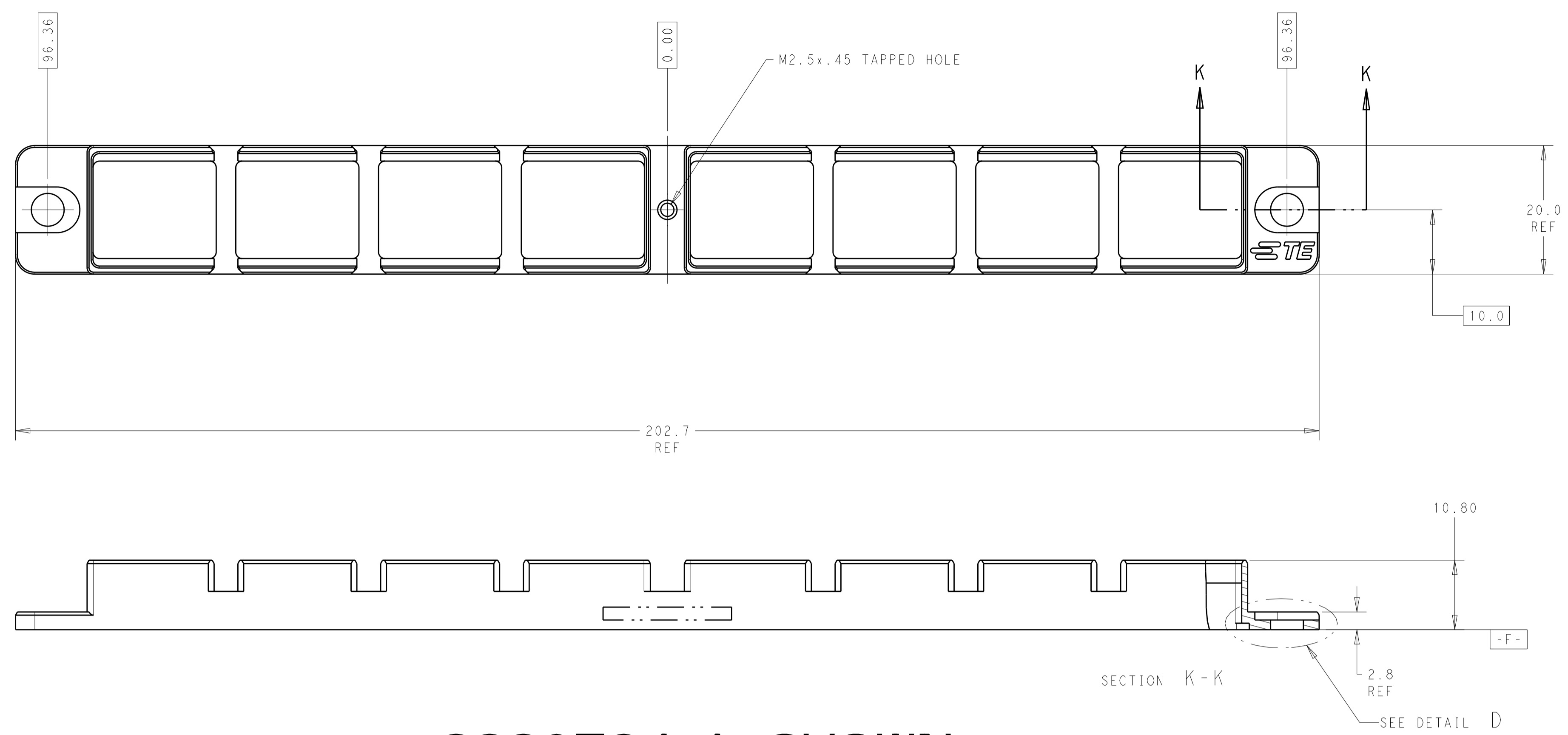


THIS PRINT IS
PRELIMINARY
 UNQUALIFIED PRODUCT
 CONTACT PRODUCT ENGINEERING
 BEFORE USING THIS PRINT

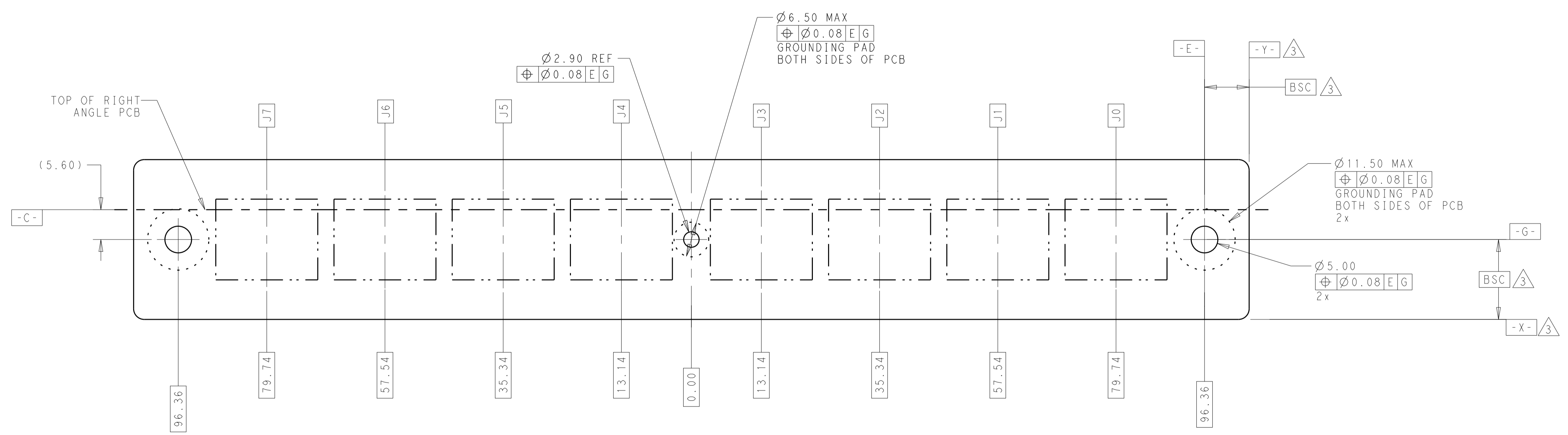
PCB INSERT LOCATIONS

THIS DRAWING IS A CONTROLLED DOCUMENT.		DWN: D. BELACK 18NOV2013	TE Connectivity Fortis Zd LRM, BACKPLANE, VERTICAL, SHELL ASSEMBLY
DIMENSIONS: mm		CHK: K. THACKSTON	
TOLERANCES UNLESS OTHERWISE SPECIFIED:		APVD: M. McALONIS	NAME: -
0 PLC ±0.13	1 PLC ±0.08	PRODUCT SPEC: 108-2474	SIZE: A1
2 PLC ±0.08	3 PLC ±0.025	APPLICATION SPEC: 408-10464	CAGE CODE: -
4 PLC ±0.025	ANGLES ±2°	WEIGHT: -	DRAWING NO: C=2226784
MATERIAL: 1	FINISH: 2	Customer Drawing	RESTRICTED TO: -
SCALE: 1:1			SHEET: 3 OF 5
REV: 5			

REVISIONS				
P.	LTN.	DESCRIPTION	DATE	APVD.
-	-	SEE SHEET 1	-	-



2226784-4 SHOWN

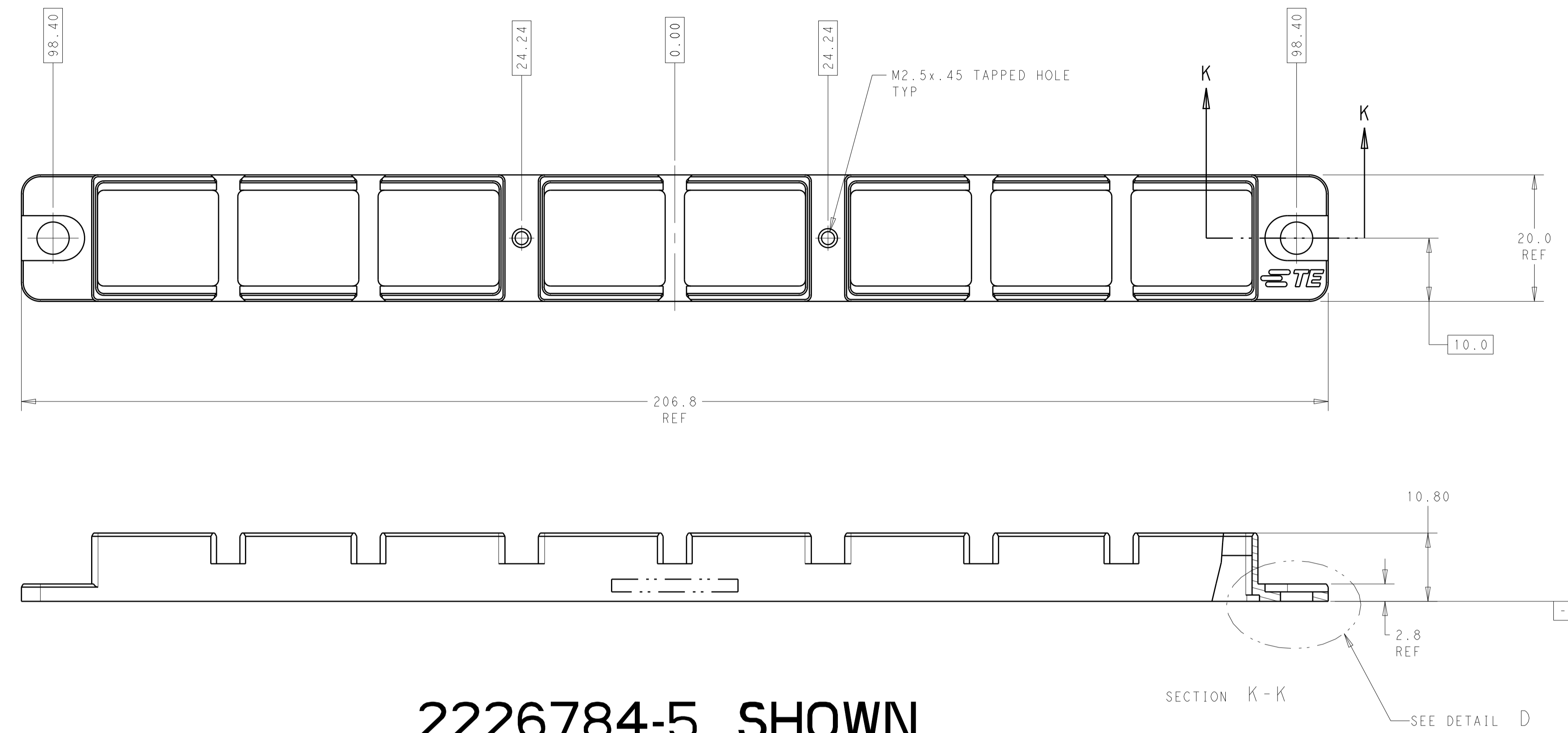


PCB INSERT LOCATIONS

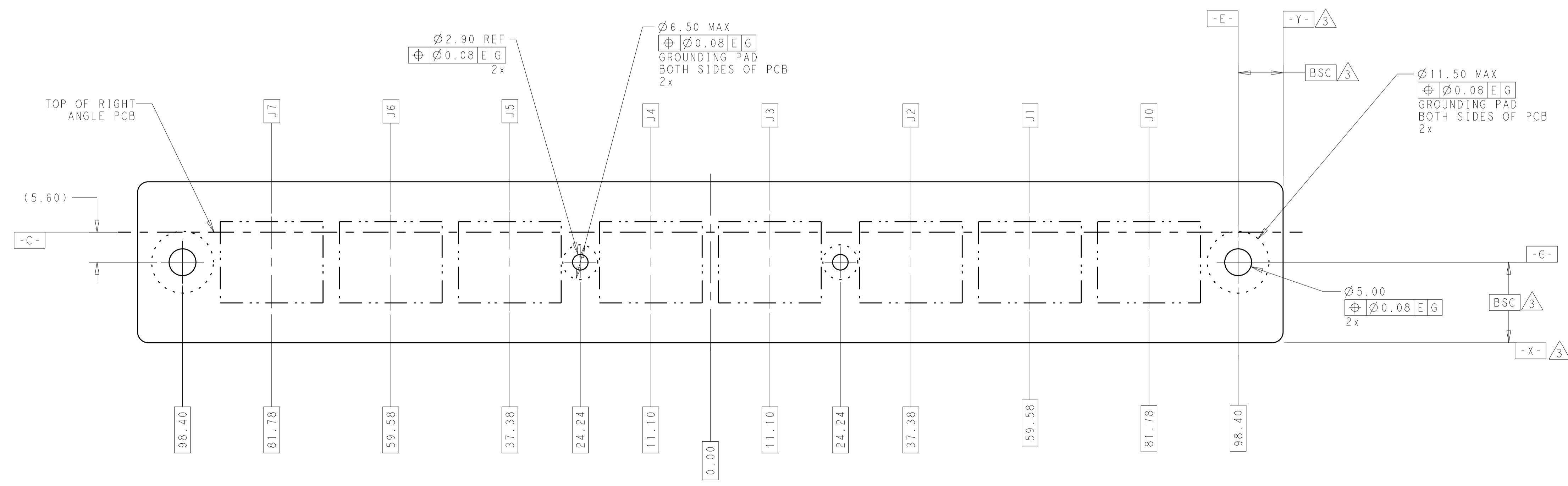
THIS PRINT IS
PRELIMINARY
 UNQUALIFIED PRODUCT
 CONTACT PRODUCT ENGINEERING
 BEFORE USING THIS PRINT

THIS DRAWING IS A CONTROLLED DOCUMENT.		DWN: D. BELACK 18NOV2013	TE Connectivity NAME: Fortis Zd LRM, BACKPLANE, VERTICAL, SHELL ASSEMBLY
DIMENSIONS: mm		CHK: K. THACKSTON	
TOLERANCES UNLESS OTHERWISE SPECIFIED:		APVD: M. McALONIS	PRODUCT SPEC: 108-2474
0 PLC ±0.13 1 PLC ±0.08 2 PLC ±0.08 3 PLC ±0.025 4 PLC ±0.025 ANGLES ±2°		APPLICATION SPEC: 408-10464	SIZE: A1
MATERIAL:		WEIGHT: -	RESTRICTED TO: -
FINISH:		Customer Drawing	SCALE: 1:1 SHEET 4 OF 5 REV 5

REVISIONS				
P.	LTN.	DESCRIPTION	DATE	APP'D.
-	-	SEE SHEET 1	-	-



2226784-5 SHOWN



PCB INSERT LOCATIONS

THIS PRINT IS
PRELIMINARY
 UNQUALIFIED PRODUCT
 CONTACT PRODUCT ENGINEERING
 BEFORE USING THIS PRINT

THIS DRAWING IS A CONTROLLED DOCUMENT.		DWN: D. BELACK 18NOV2013	TE Connectivity
DIMENSIONS: mm		CHK: K. THACKSTON	
TOLERANCES UNLESS OTHERWISE SPECIFIED:		APVD: M. McALONIS	NAME: Fortis Zd LRM, BACKPLANE, VERTICAL, SHELL ASSEMBLY
0 PLC ±0.13	1 PLC ±0.08	PRODUCT SPEC: 108-2474	SIZE: A1
2 PLC ±0.08	3 PLC ±0.025	APPLICATION SPEC: 408-10464	CAGE CODE: C=2226784
4 PLC ±0.025	ANGLES ±2°	WEIGHT: -	RESTRICTED TO: -
MATERIAL: -	FINISH: -	Customer Drawing	SCALE: 2:1 SHEET 5 OF 5 REV 5