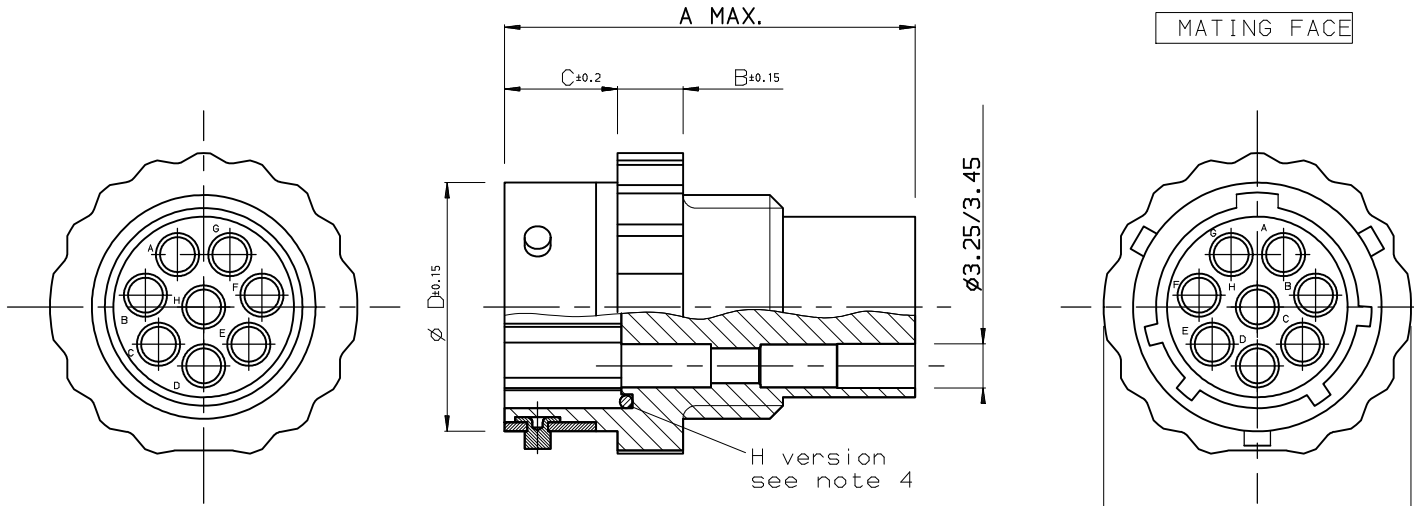


DIT IS ONZE EIGENDOM EN MAG NOCH NAGEMAAKT, HERDRUKT, OVERGEMAAKT AAN DERDEN, NOCH VOOR FABRIKATIE GEBRUIKT WORDEN, ZONDER ONZE SCHRIFTELIJKE TOELATING. BIJ NIET GEBRUIK IS DE TERUGZENDING VERPLICHT.
 THIS IS OUR EXCLUSIVE PROPERTY. IT IS NOT TO BE COPIED, REPRINTED OR DISCLOSED TO A THIRD PARTY, NOR USED FOR MANUFACTURING WITHOUT OUR WRITTEN CONSENT, AND HAS TO BE RETURNED TO US IN CASE OF NO USAGE

REV.	DATE	DESCRIPTION	BY	C'K'D'
03	10/03/99	Temperature range -55C instead of -25C	K.N.	
04	09/11/05	ADD SIZE 10-3 - ADD 3D VIEW	R Ch	
05	21/01/10	ADD O'SEAL ON THE SECTION VIEW	R Ch	
A	30/10/13	DELETE PART NUMBER UTG1103P(H)VDE	R Ch	

WIRING FACE

MATING FACE



CAT. NUMBER	A MAX.	B±0.15	C±0.2	Ø D±0.15	Ø E±0.15
UTG1104P (H)	31.7	5.0	8.65	15.0	19.5
UTG1125P (H)	31.7	5.0	8.65	19.0	23.5
UTG1128P (H)	31.7	5.0	8.65	19.0	23.5
UTG11412P (H)	31.7	5.0	8.65	22.2	27.0
UTG11619P (H)	31.7	5.0	8.65	25.3	30.0
UTG11823P (H)	31.7	5.0	8.65	28.5	33.3
UTG12028P (H)	33.3	5.0	12.05	31.7	36.5
UTG12235P (H)	33.3	5.0	12.05	34.9	39.7
UTG12448P (H)	33.3	5.0	13.85	38.0	42.5
* NOTE 4					

UTG1128P AS SHOWN

MATERIAL

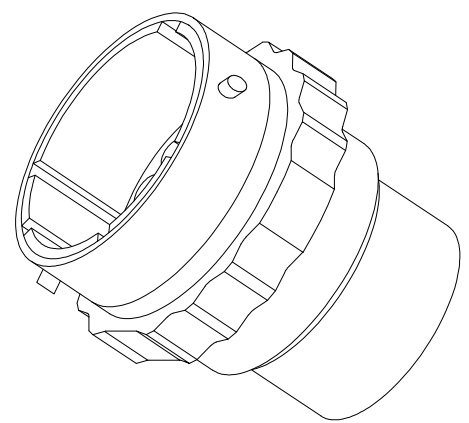
- BODY : GLASS-FILLED POLYESTER UL94-V0
COLOUR : BLACK.
- TRILOK RING : HIGH STRENGTH CuZn ALLOY,
NICKEL PLATED.

PERFORMANCE CHARACTERISTICS

- OPERATING TEMPERATURE : -55°C to +125°C
- INSULATION RESISTANCE : 5000 M Ohm MIN.
- TEST POTENTIAL : 2000 V EFF.

NOTES

- CONNECTOR ACCEPTS # 16 STRIP FORMED PIN, MACHINED PIN AND SUBMINIATURE COAXIAL PIN AND SOCKET CONTACTS.
- CONTACTS TO BE ORDERED SEPARATELY : REFER TO TRIM - TRIO CATALOG.
- FOR OTHER INSERT ARRANGEMENTS SEE BS,C ,201458,000
- FOR WATERPROTECTED VERSION: ADD "H" TO THE CAT.NO. E.G. CAT.NO.: UTG1128PH



GEN. ST.	01	02	03	04	05	06	07	08	0D	50	60	70	80	90																	
INT. ST.	10	11	12	13	14	18	20	31	32	33	34	38	39	40	42	43	44	45	46	48	56	70	72	73	75	76	81	82	83	84	88

1DEC ±0,2 1DEC 2DEC ±0,1 2DEC ANGLES ±1° HOEKEN	APPR.	DATE	SIGN.	MALE RECEPTACLE FREE HANGING CAT.N°. UTG1----P (H)
	DRAFT	7-6-91	M BUEDS	
WE RESERVE THE RIGHT TO CHANGE DIMENSIONS OR REQUIREMENTS WITHOUT PRIOR NOTICE.	CHECKED			SOURIAU Route Nationale 23 72470 CHAMPAGNE
	PROD. MGR.			
	PR.ENG.MGR.			
ALL DIMENSIONS IN MM	PR.MGT.MGR.			SCALE
	REFERENCES			BS-A-201458-005
ALLE AFMETINGEN IN MM	DRAWING NR.			CUSTOMER DRAWING