

NOTES: UNLESS OTHERWISE SPECIFIED.

- 1 STRIPPER PLATE WITH LUBRICATING PAD IS REMOVABLE FOR EXTRACTION OF PIN CONTACTS.
- 2 CONTACTS MUST BE ORDERED SEPARATELY. SEE SE74007, SM...M-6... AND SE52162, SM...M-1... FOR DETAILS.
- 3 PIN CONTACTS ARE SELF LUBRICATING WITH EACH MATING OF PLUG CONNECTOR ASSY (SEE SHEET 3).
- 4 MBO...R-1 RECEPTACLE COMES COMPLETE WITH STRIPPER PLATE ASSY AND COMPRESSION SPRING.
- 5 MBO...R-2 RECEPTACLE SAME AS MBO...R-1 EXCEPT NO STRIPPER PLATE ASSY AND NO COMPRESSION SPRING. CONTACT FACTORY FOR AVAILABILITY.
- 6 MBO...R-3 RECEPTACLE COMES ONLY WITH STRIPPER PLATE AND COMPRESSION SPRING. NO LUBRICATION PAD. CONTACT FACTORY FOR AVAILABILITY.
7. FOR MOUNTING CUT OUT DIMENSIONS SEE SHEET 5.
- 8 - DELETED PER EON6430 -
9. INTERPRET THIS DRAWING IN ACCORDANCE WITH ANSI Y46.5M-1994.

MATERIAL:

- RECEPTACLE BODY - THERMOPLASTIC POLYESTER COLOR BLACK (UL94V-0)
- STRIPPER PLATE - THERMOPLASTIC POLYESTER COLOR BLACK (UL94V-0)
- LUBRICATING PAD - POLYURETHANE FOAM WITH CONTACT LUBRICANT SOLUTION APPLIED
- COMPRESSION SPRING - STAINLESS STEEL, 300 SERIES
- LATCH HOOK - STAINLESS STEEL, 300 SERIES
- RIVET - BRASS

FINISH:

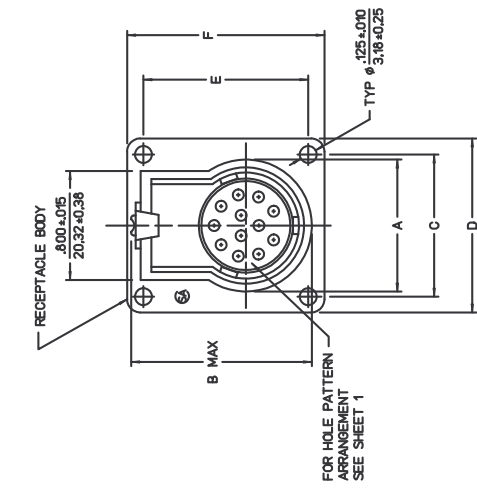
- COMPRESSION SPRING - PASSIVATED
- LATCH HOOK - PASSIVATED
- RIVET - .000100 (0.0025x4) MIN TIN PLATING

CATALOG NO. DESCRIPTION

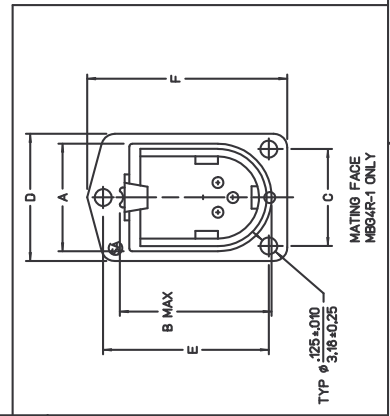
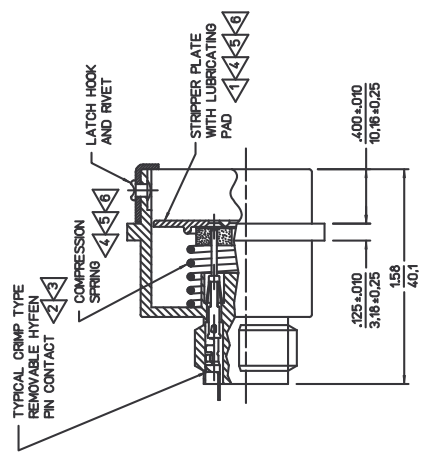
MB8 -- R - VARIATION

NO. OF POSITIONS

| CATALOG NUMBER | NO. OF POSITIONS | A ± 0.10 40.25 | B MAX | C ± 0.07 40.18 | D ± 0.12 40.30 | E ± 0.07 40.18 | F ± 0.10 40.25 |
|----------------|------------------|-----------------------|---------------|-----------------------|-----------------------|-----------------------|-----------------------|
| MB8AR-- | 4 | 700 20.07 | 1480 29.46 | 712 19.06 | 941 23.90 | 1228 31.45 | 1471 37.36 |
| MB8CR-- | 12 | 970 24.64 | 1375 34.92 | 1045 26.54 | 1279 32.49 | 1211 30.76 | 1451 36.86 |
| MB8DR-- | 19 | 1097 27.86 | 1500 38.10 | 1045 26.54 | 1277 32.44 | 1340 34.04 | 1580 40.13 |
| MB8DR-- | 30 | 1302 33.07 | 1705 43.31 | 1428 28.85 | 1402 35.61 | 1496 38.00 | 1768 44.91 |



MATING FACE



| | | | |
|-----|---------------------|------|----|
| REV | DESCRIPTION | DATE | BY |
| | BANTAMITE II SERIES | | |

CAT NO: MBO...-...
 SOURIAU
 CUSTOMER

| | |
|--------------------|----------|
| DATE OF ISSUE | 10-03-09 |
| DATE OF REVISION | 10-03-09 |
| DATE OF CANCEL | 10-03-09 |
| DATE OF WITHDRAWAL | 10-03-09 |
| DATE OF RECALL | 10-03-09 |
| DATE OF REWORK | 10-03-09 |
| DATE OF REUSE | 10-03-09 |
| DATE OF REPAIR | 10-03-09 |
| DATE OF RECYCLE | 10-03-09 |
| DATE OF REUSE | 10-03-09 |
| DATE OF REPAIR | 10-03-09 |
| DATE OF RECYCLE | 10-03-09 |

UNLESS OTHERWISE SPECIFIED, ALL DIMENSIONS ARE IN MILLIMETERS.
 DIMENSIONS IN PARENTHESES ARE IN INCHES.
 UNLESS OTHERWISE SPECIFIED, ALL DIMENSIONS ARE IN MILLIMETERS.
 DIMENSIONS IN PARENTHESES ARE IN INCHES.