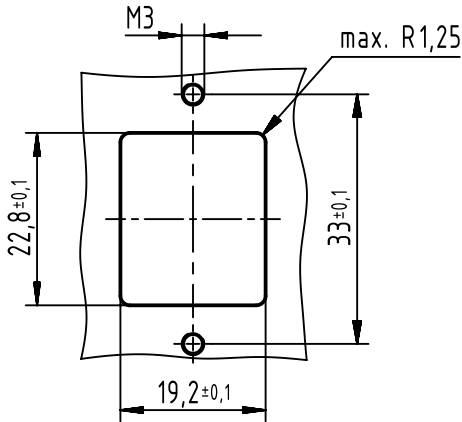


V14 plastic rectangular housing

flat seal

(1:1)  
panel cut out



thickness panel: 1mm to 6mm.  
M3 screwing torque: 0.3 to 0.5 N.m.

	All rights reserved Department EC PD - DE	All Dimensions in mm Original Size DIN A4		Scale 2:1	Free size tol.	Ref. Sub. TB 09 35 012 0331 / 500000062444 / 2013-05-28		
		HARTING Electronics GmbH D-32339 Espelkamp		Created by HAGEMEYERE	Inspected by ELLERMANN	Standardisation SCHREIER	Date 2015-10-14	State Final Release
Title Han PP V14 RJ45 housing HIFF plastic						Doc-Key / ECM-Nr. 100216389/UGD/002/C 500000095256		
				Type TB	Number 09350120331		Rev. C	Page 1/1