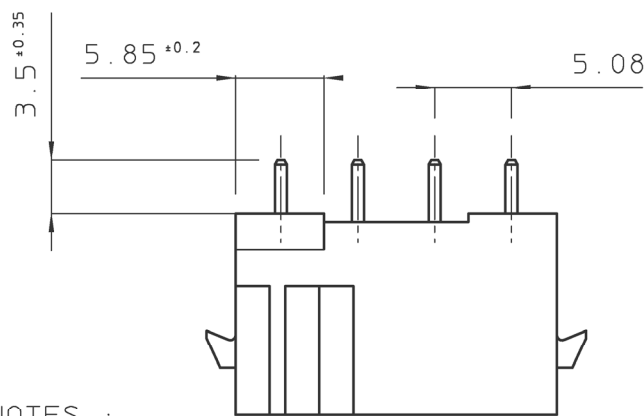
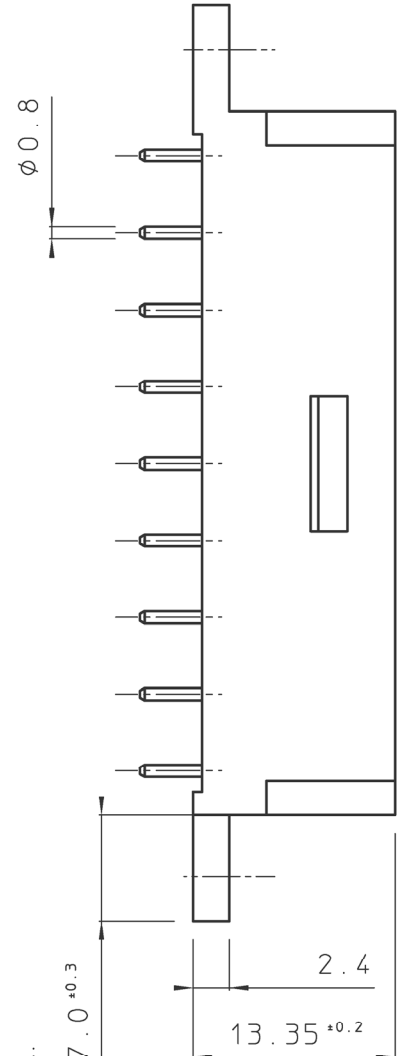
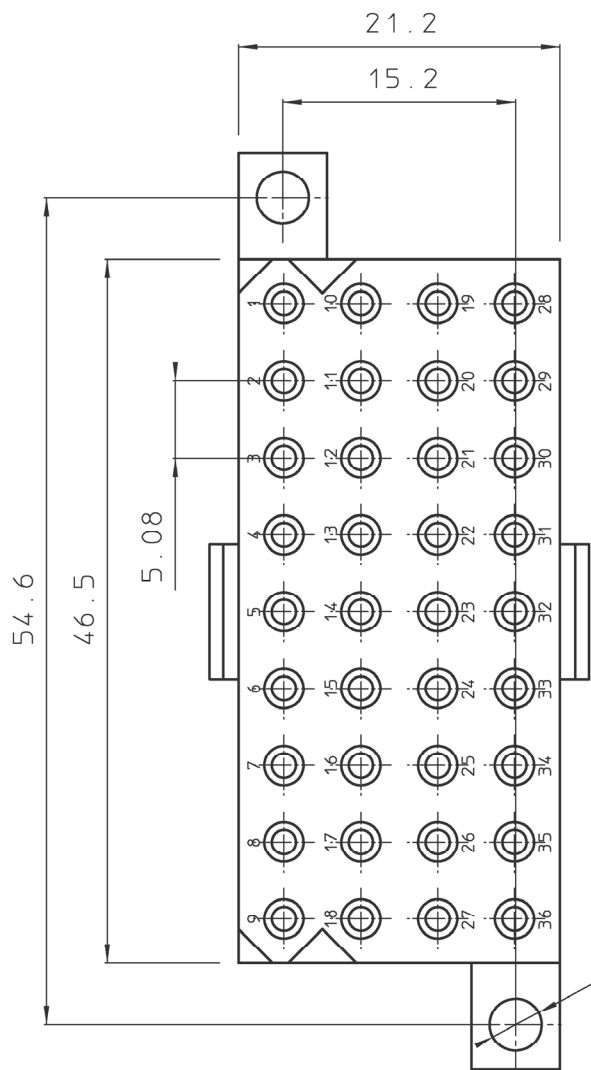


DIT IS ONZE EIGENDOM EN MAG NOCH NAGEMAAKT, HERDRUKT, OVERGEMAAKT AAN DERDEN, NOCH VOOR FABRIKATIE GEBRUIKT WORDEN, ZONDER ONZE SCHRIFTELIJKE TOELATING. BIJ NIET GEBRUIK IS DE TERUGZENDING VERPLICHT.

THIS IS OUR EXCLUSIVE PROPERTY. IT IS NOT TO BE COPIED, REPRINTED OR DISCLOSED TO A THIRD PARTY, NOR USED FOR MANUFACTURING WITHOUT OUR WRITTEN CONSENT, AND HAS TO BE RETURNED TO US IN CASE OF NO USAGE.

BS, A , 202362, 007, 00

REV.	DATE	DESCRIPTION	BY	C'K'D'
00	18.08.97	REDRAWN FROM DRAWING BSA 062109 SHEET 7	S.V.D.	




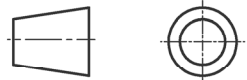
MATERIAL :
 BODY : POLYESTER 30% GLASS FILLED, UL94V-0,
 COLOUR : BLACK
 CONTACTS : CONTACT BODY : BRASS, GOLD OR TIN PLATED.
 INNER SPRING : BERYLLIUM COPPER, GOLD OR NICKEL PLATED.

PERFORMANCE CHARACTERISTICS :
 OPERATING TEMPERATURE : -55°C TO 105°C
 INSULATING RESISTANCE : 5000 MΩ MIN.
 TEST POTENTIAL : 2000 VAC

NOTES :

- CONNECTOR SUPPLIED FULLY LOADED WITH MACHINED SOCKET CONTACTS.
 AU PLATED : SMS36GE3 ; AU FLASH : SMS36GE3J ; TIN PLATED : SMS36GE3T
- MATING PART SMS36P1 PLUG
- PC-BOARD THICKNESS : 2.4 MM
- DRILLING HOLE PATTERN : BS, A, 200597, 008

GEN. ST.	01	02	03	04	05	06	07	08	0D	50	60	70	80	90																	
INT. ST.	10	11	12	13	14	18	20	31	32	33	34	38	39	40	42	43	44	45	46	48	56	70	72	73	75	76	81	82	83	84	88

1DEC ±0,2 1DEC 2DEC ±0,1 2DEC ANGLES ±1° HOEKEN	APPR.	DATE	SIGN.	SMS QIKMATE STRAIGHT FEMALE REC. WITH MACH. CONT.
	DRAFT	18-08-97	S. Van Dessel	CAT. No. SMS36GE3*
	CHECKED			
WE RESERVE THE RIGHT TO CHANGE DIMENSIONS OR REQUIREMENTS WITHOUT PRIOR NOTICE.	PROD. MGR.			 SOURIAU Route Nationale 23 72470 CHAMPAGNE
	PR. ENG. MGR.			
	PR. MGT. MGR.			
ALL DIMENSIONS IN MM  ALLE AFMETINGEN IN MM	REFERENCES / REFERENTIES			SCALE 2/1
				BS, A , 202362, 007, 00 DRAWING NR. CUSTOMER DRAWING