

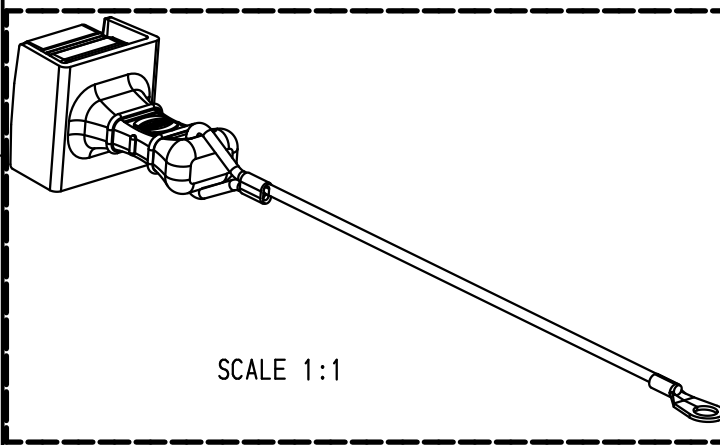
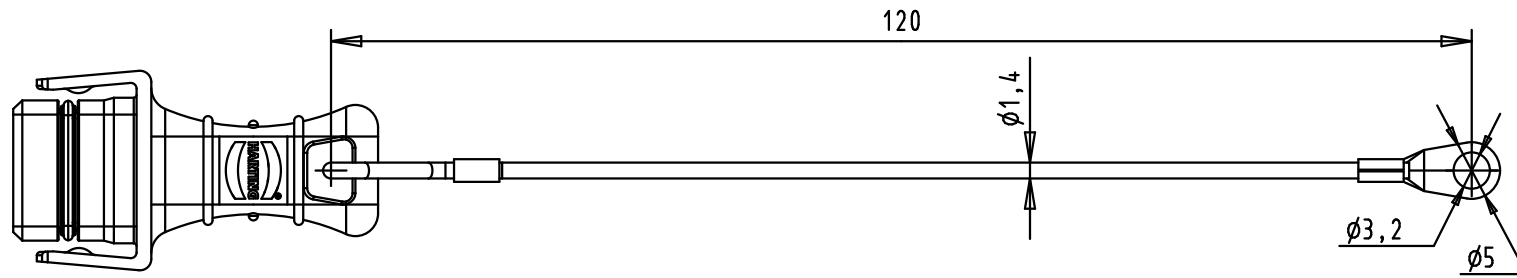
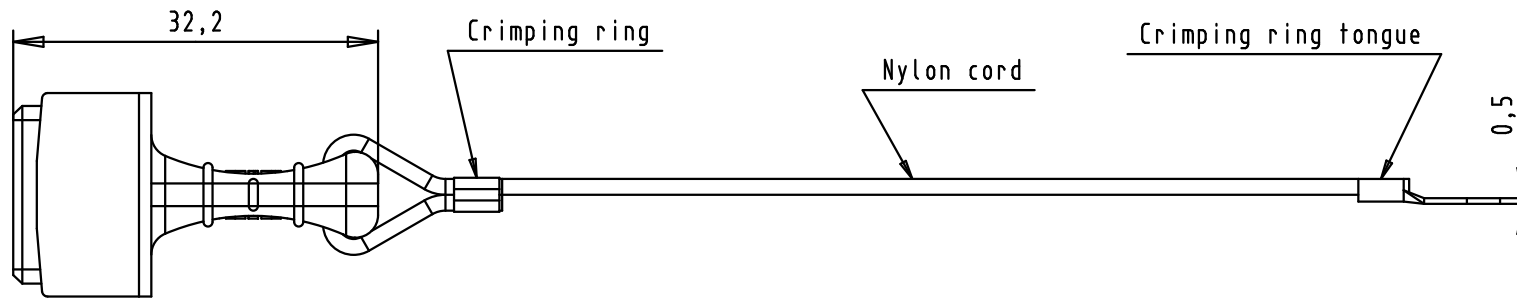
5

4

3

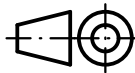

2

1



SCALE 1:1

Recommended tongue ϕ_{int} 3.2 mm and ϕ_{ext} 6 mm, thickness 0,5 mm

				Dat.	Name	 All Dim. in mm Orig. Size DIN A 4	RJ Industrial IP67 Easy dust cap for Push-Pull receptacle with Nylon fixing cord and M3 crimping tongue	Maßstab/ Scale 1.5:1
			Detail.	02/12/09	AB			
			Insp.					
			Stand.					
EC01137	02/12/09	AB	HARTING EURL F-95972 Paris				TB 09 45 845 0011 024	Blatt/ Page 1 / 1
Mod.	Dat.	Name	Sub.					