

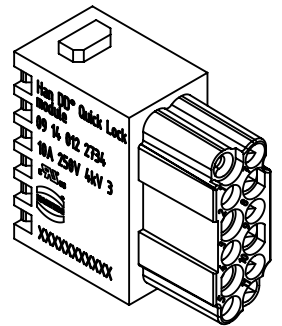
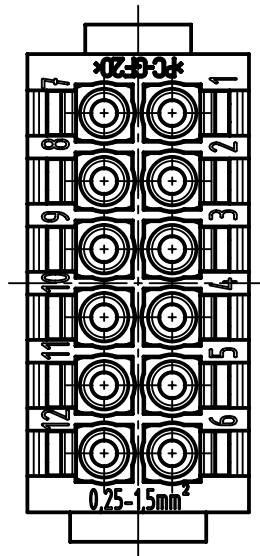
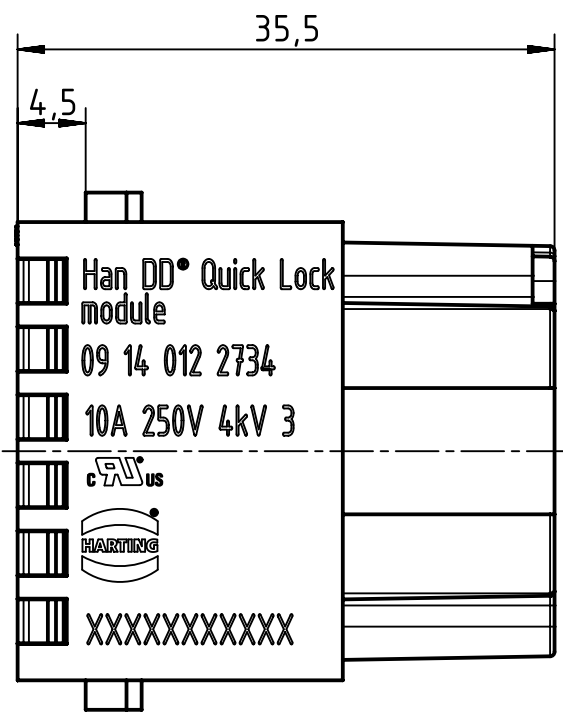
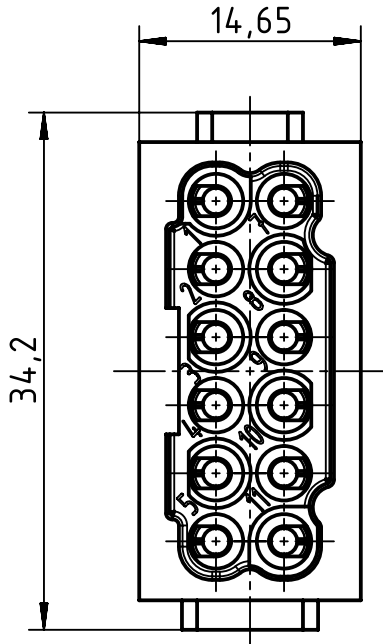
1 2 3 4 5 6

A

B

C

D



	All Dimensions in mm Original Size DIN A4	Scale 2:1		Free size tol.		Ref.	
						Sub.	
	All rights reserved Department EL PD - DE	Created by	Inspected by	Standardisation	Date	State	
		KLASSEN P	BERGHORN	TIEMANNA	2016-09-21	Final Release	
HARTING Electric GmbH & Co. KG D-32339 Espelkamp		Title Han DD Quick-Lock module, female Au				Doc-Key / ECM-Nr. 100223266/UGD/003/B 500000108901	
		Type TB	Number 09 14 012 2734		Rev. B	Page 1/1	