

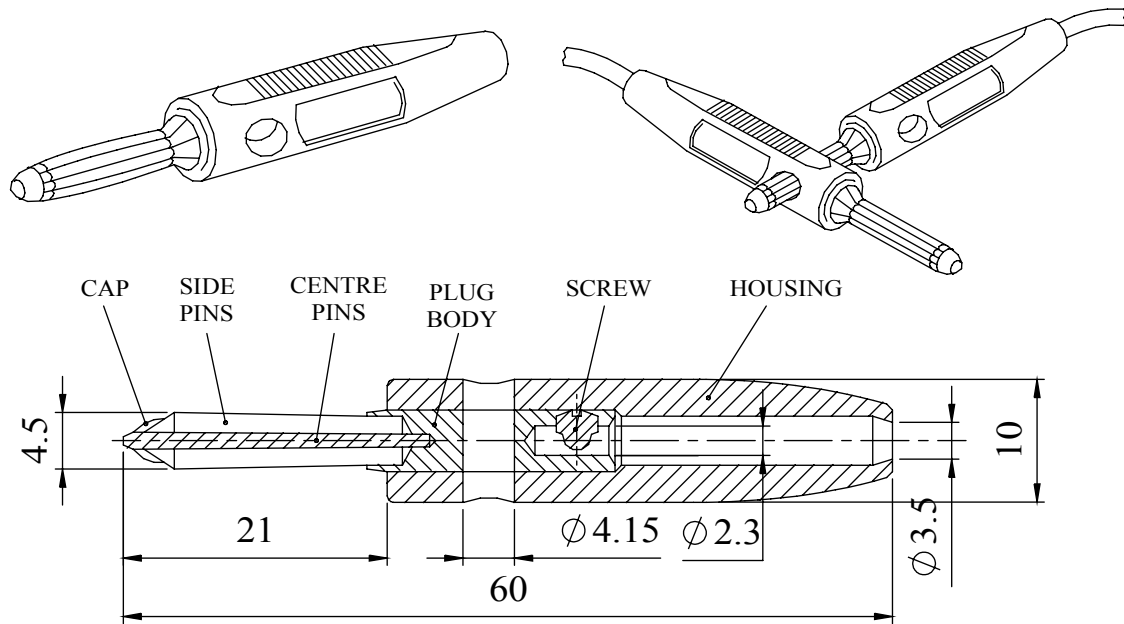
This side stackable plug has a screw connection for the lead wire and a push-on pliable PVC moulding. The conductor and outside diameter cable entry sizes are designed to suit PVC or silicone rubber flexible test cables up to 2,5mm<sup>2</sup>.

**MATERIAL**

CAP : Brass  
 SIDE PINS : Brass  
 CENTRE PIN : Brass  
 PLUG BODY : Brass  
 HOUSING : PVC 36/20(000-050-0000)  
 SCREW : Brass, M3,5x0,6  
 PLATING - BRIGHT NICKEL Over Copper

RATING : 16 Amps  
 RATED VOLTAGE: 50V

**Dimensions**



COLOUR	ORDER CODE
BLACK	555-0100
BLUE	555-0200
BROWN	555-0300
GREEN	555-0400
RED	555-0500
WHITE	555-0600
YELLOW	555-0700

**BUNCH PIN SIDE STACKABLE PLUG**

Tel No. +44(0)1724 273200 Website www.dem-uk.com



**PROPRIETARY AND CONFIDENTIAL**  
 THE INFORMATION CONTAINED IN THIS DRAWING IS THE SOLE PROPERTY OF ALPHA 3 MANUFACTURING.  
 ANY REPRODUCTION IN PART OR AS A WHOLE WITHOUT THE WRITTEN PERMISSION OF ALPHA 3 MANUFACTURING IS PROHIBITED.

**DEM** DEM Manufacturing, Deltron Emcon House  
 Hargreaves Way, Sawcliffe Ind. Park,  
 Scunthorpe, North Lincolnshire, DN15 8RF, UK

UNLESS OTHERWISE SPECIFIED:  
 DIMENSIONS ARE IN MILLIMETRES  
 LINEAR TOLERANCE:  
**NO DECIMAL PLACES ±0.5mm**  
**1 DECIMAL PLACE ±0.25mm**  
**2 DECIMAL PLACES ±0.125mm**  
**ANGULAR TOLERANCE: ±1°**

FINISH SEE NOTE  
 DEBURR AND BREAK SHARP EDGES  
 IF IN DOUBT ASK  
 DO NOT SCALE DRAWING  
 MATERIAL SEE NOTE

DRAWN BY SPB  
 APPROVED BY WC  
 THIRD ANGLE PROJECTION

SHEET 1 OF 1  
 SCALE 1:1  
 A4

TITLE GENERAL SPECIFICATION  
 555 SERIES  
**BUNCH PIN SIDE STACKABLE PLUG**  
 DRAWING NO. 555 SERIES  
 ISSUE **07**  
 Release