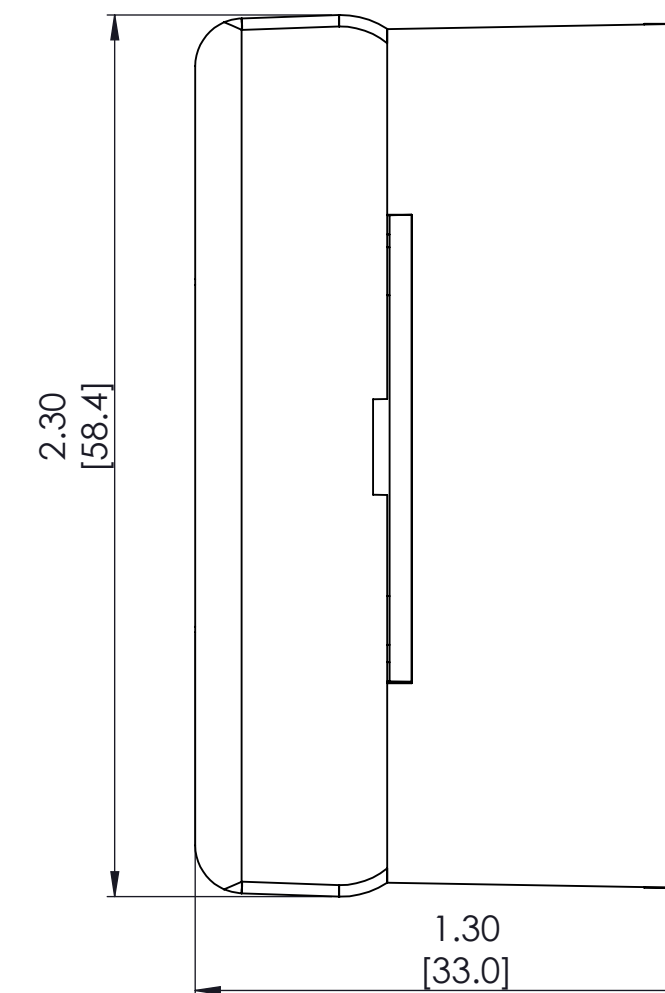
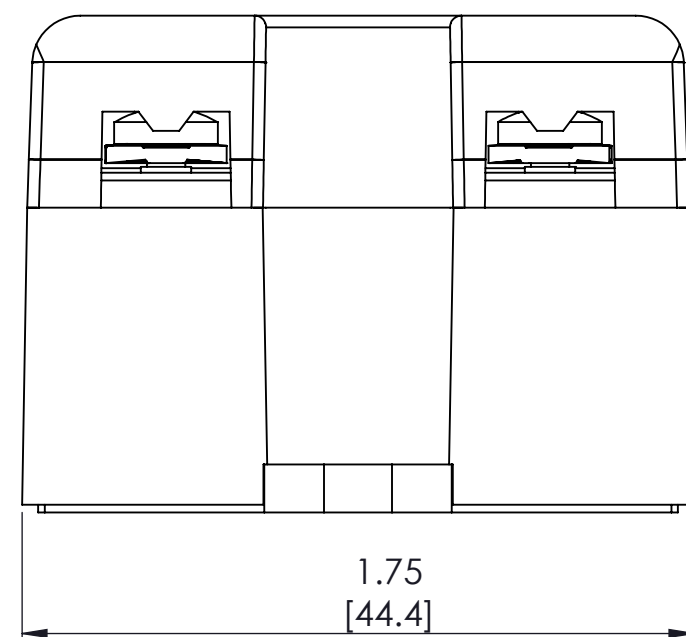
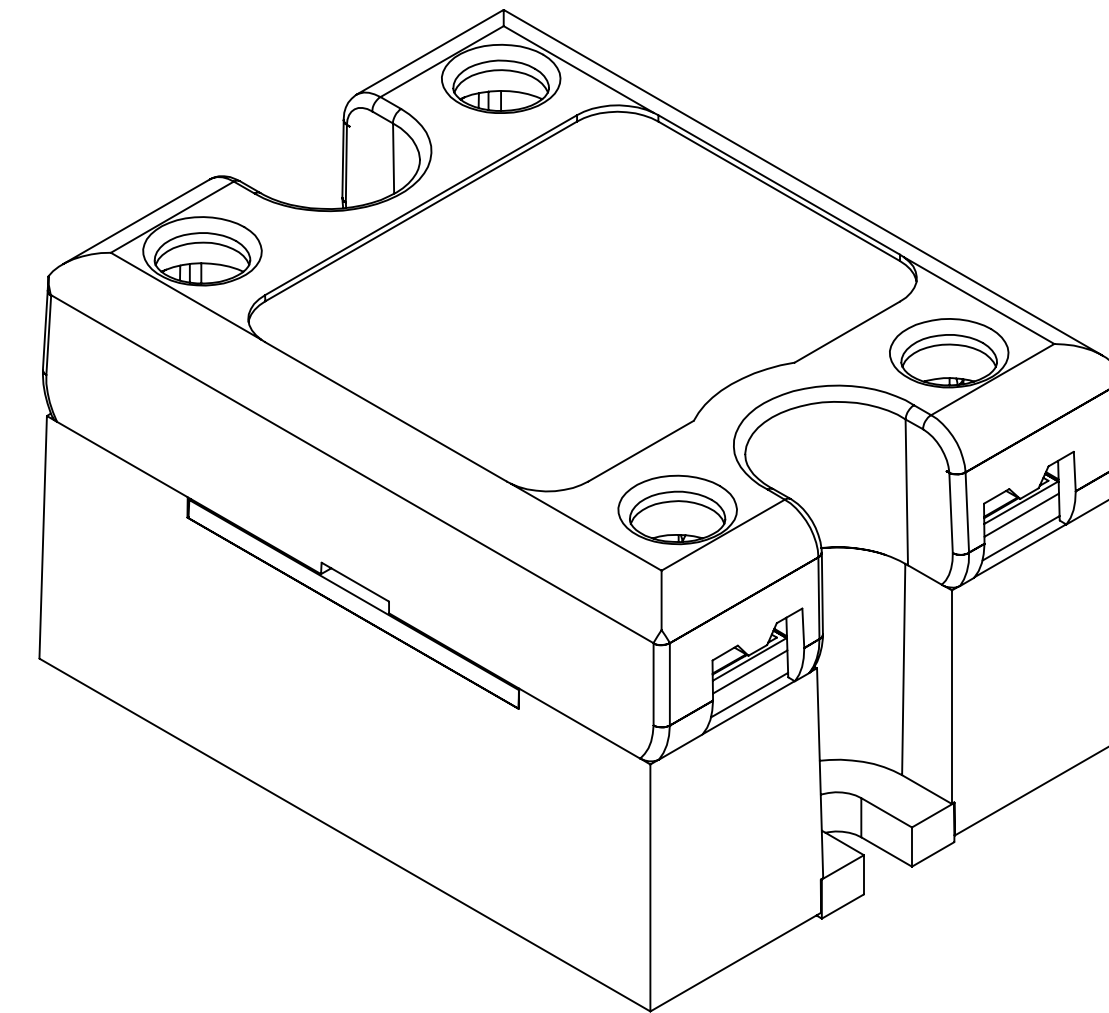


MOUNTING HOLE/SLOTE
0.192 [4.9] DIA.



Tolerances: ± 0.02 in / 0.5 mm. All dimensions are in: inches [millimeters]