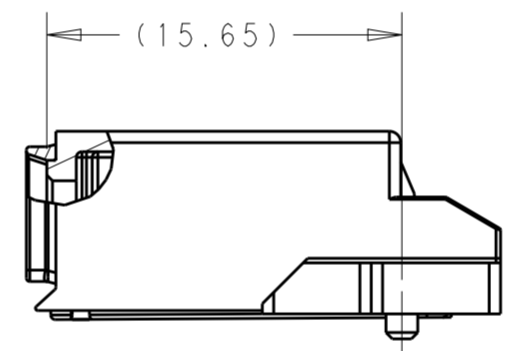
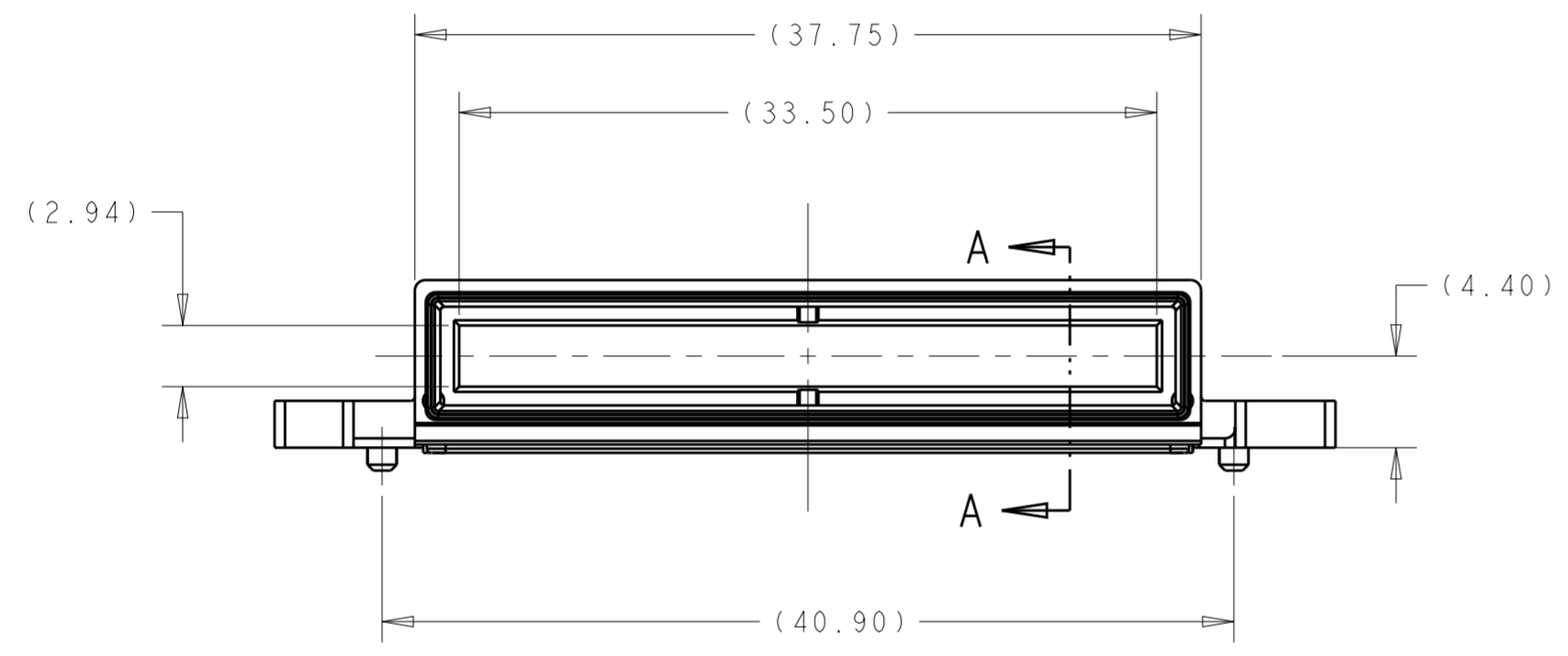
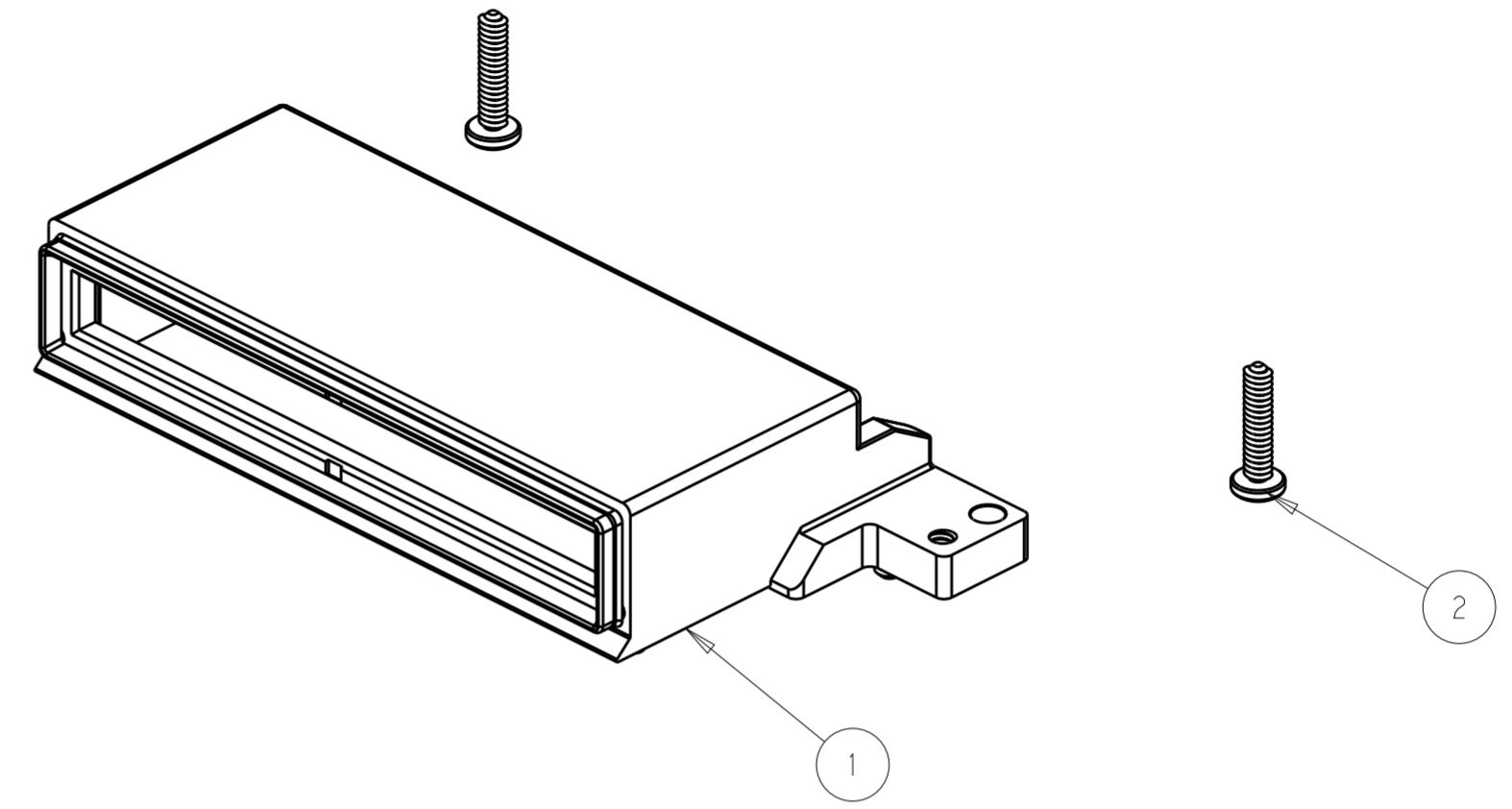
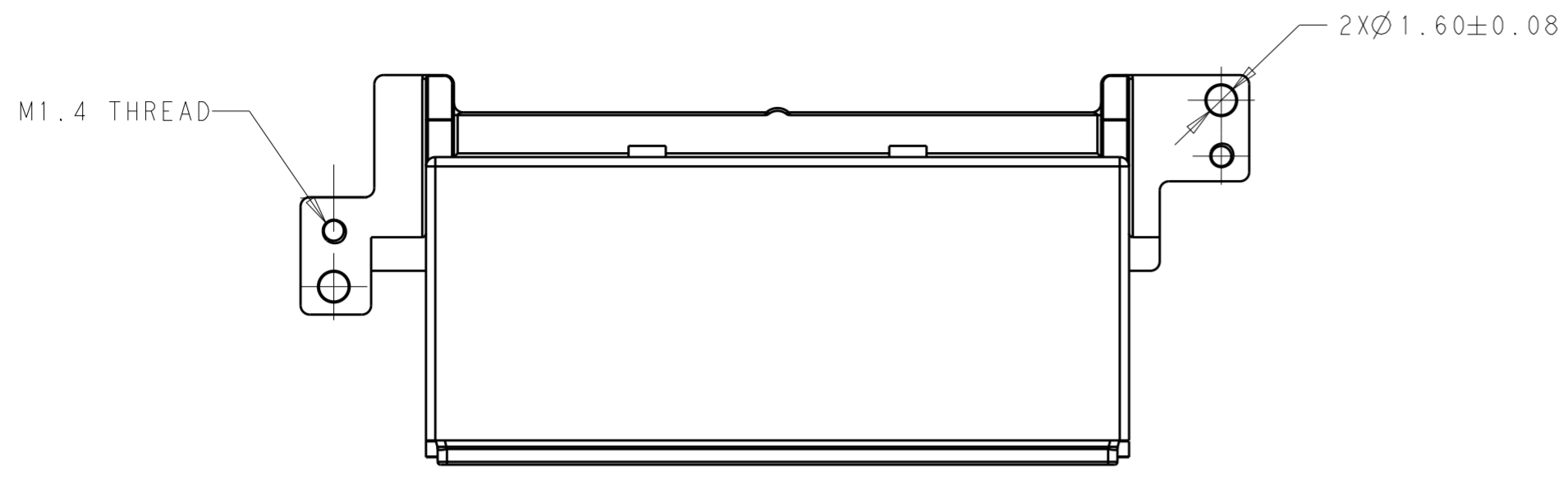


THIS DRAWING IS UNPUBLISHED. RELEASED FOR PUBLICATION 20
 © COPYRIGHT 20 BY - ALL RIGHTS RESERVED.

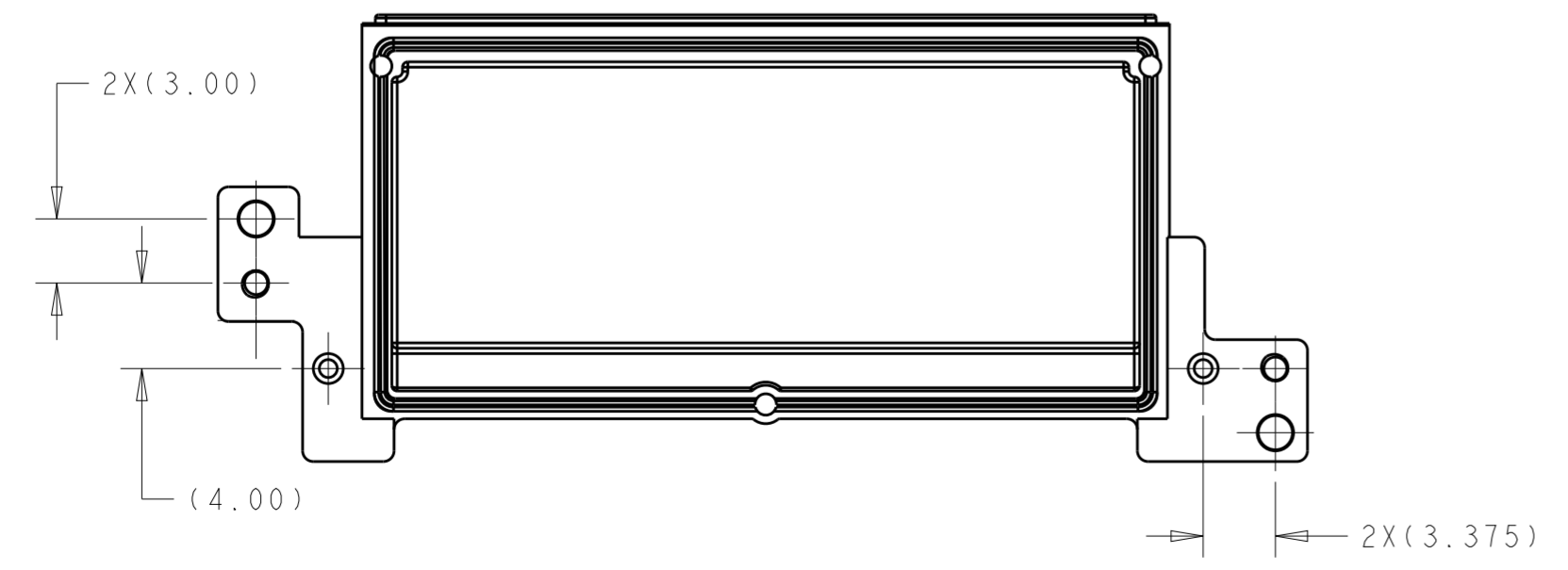
REVISIONS				
P	LTR	DESCRIPTION	DATE	APVD
1		PRELIMINARY DRAWING	30MAY2016	AD SH



SECTION A - A

THIS PRINT IS
PRELIMINARY
 UNQUALIFIED PRODUCT
 CONTACT PRODUCT ENGINEERING
 BEFORE USING THIS PRINT

- 1.MATERIAL: RECEPTACLE COVER-ZINC ALLOY
 GASKET-SILICON
 SCREW-STAINLESS STEEL
- 2.PLATING: RECEPTACLE COVER-1.27um NICKEL OVER COPPER PLATING
- 3.MATE WIHT MSA COMPLIANT TRANSCEIVER
- 4.PACKAGED AS SEPARATED KITS IN ONE BOX



QTY	PART NUMBER	DESCRIPTION	ITEM
2	2292789-1	M1.4X6 SCREW	2
1	2274846-1	COVER WIHT GASKET	1
-1	PART NUMBER	DESCRIPTION	ITEM

THIS DRAWING IS A CONTROLLED DOCUMENT.		DWN ANDY CIF 30MAY2016			
DIMENSIONS: mm		CHK SEAN HAN 30MAY2016			
TOLERANCES UNLESS OTHERWISE SPECIFIED:		APVD SEAN HAN 30MAY2016			
0 PLC ± 1 PLC ±0.25 2 PLC ±0.15 3 PLC ±0.10 4 PLC ± ANGLES ± FINISH -		NAME RECEPTACLE COVER WITH SCREW CFP2 1X1 PRODUCT SPEC - APPLICATION SPEC - WEIGHT - CUSTOMER DRAWING			
MATERIAL -		SIZE A2	CAGE CODE -	DRAWING NO. C-2304452	RESTRICTED TO -
		SCALE 2:1	SHEET 1 OF 1	REV 1	