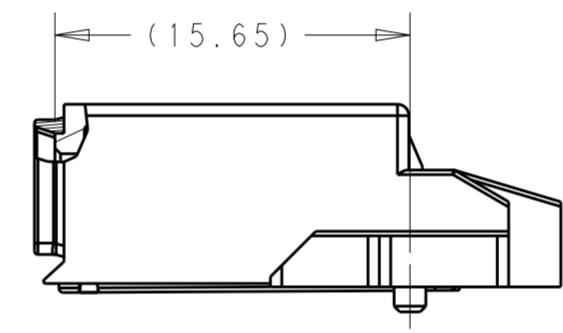
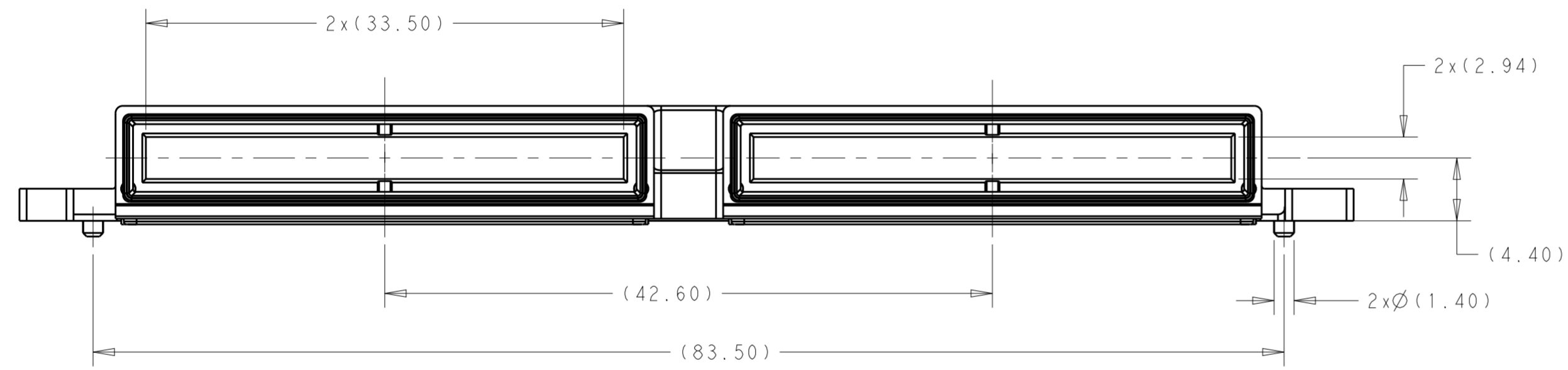
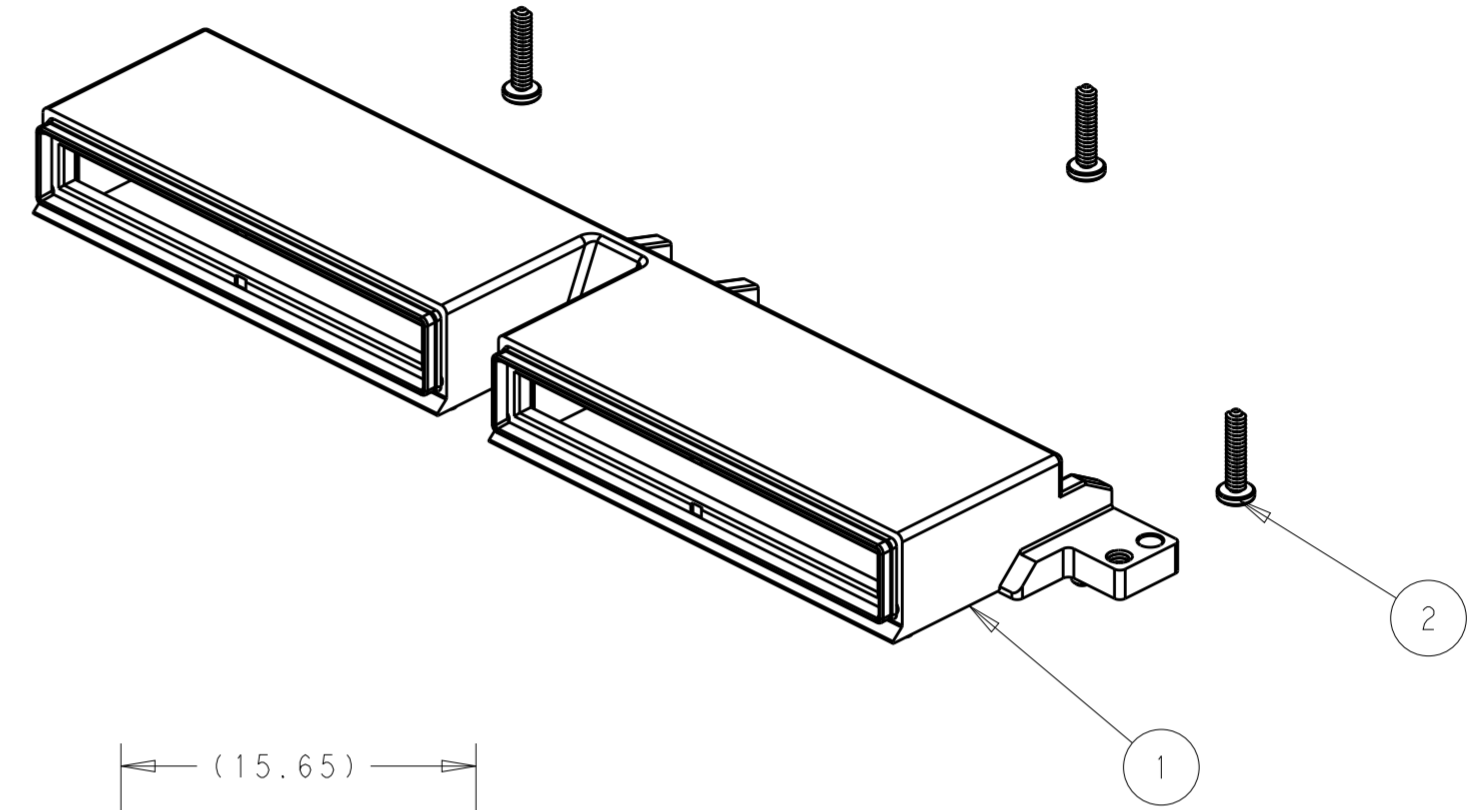
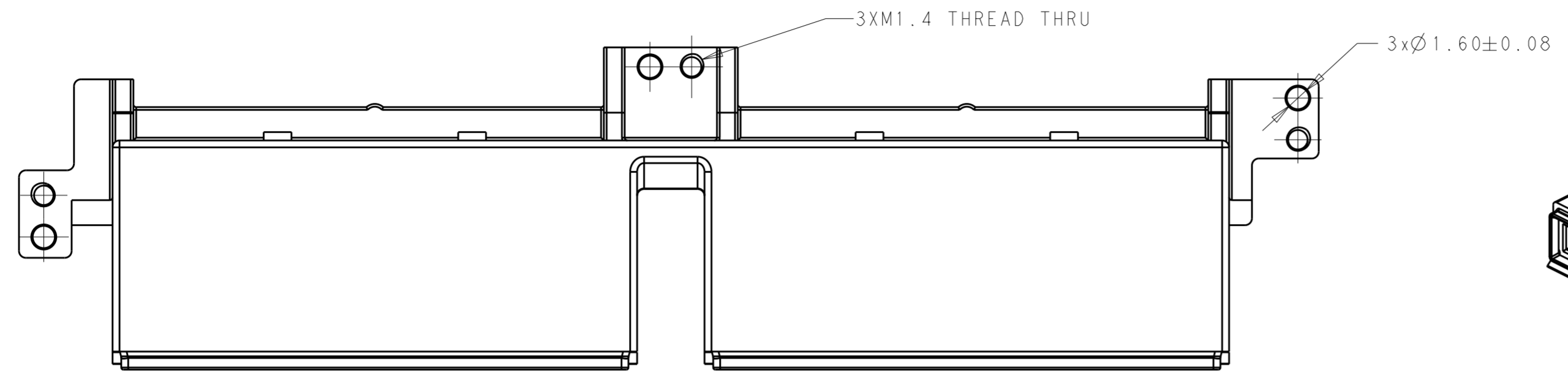


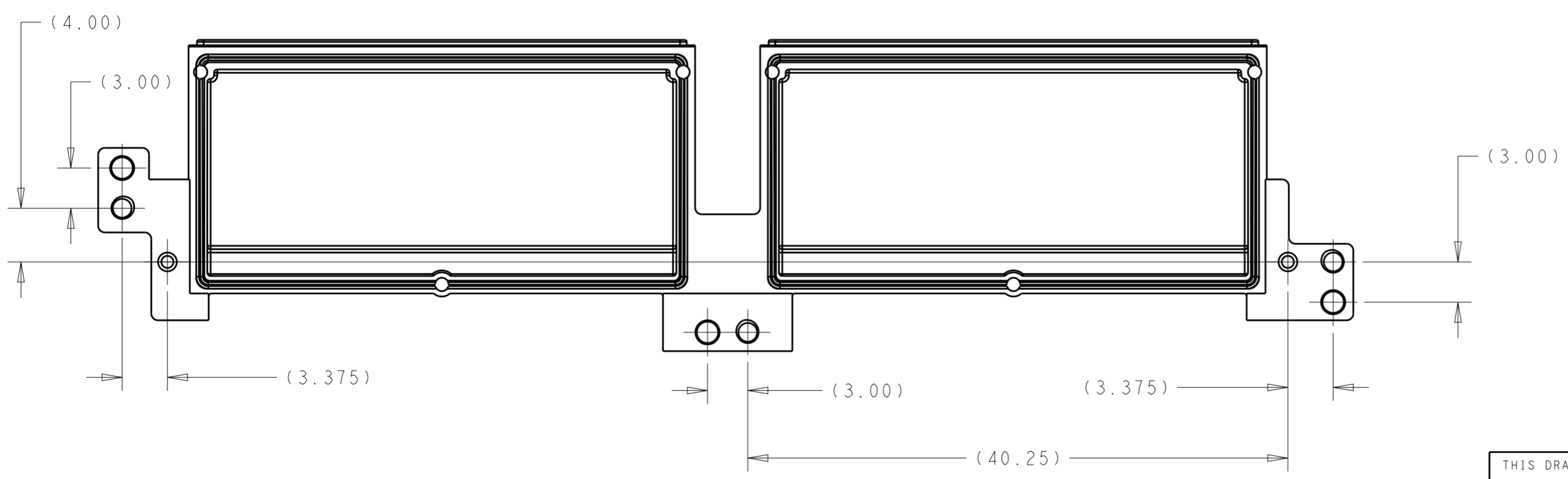
THIS DRAWING IS UNPUBLISHED. RELEASED FOR PUBLICATION 20
 © COPYRIGHT 20 BY - ALL RIGHTS RESERVED.

REVISIONS				
P	LTR	DESCRIPTION	DATE	APVD
1		PRELIMINARY DRAWING	01JUN2016	AD SH



THIS PRINT IS
PRELIMINARY
 UNQUALIFIED PRODUCT
 CONTACT PRODUCT ENGINEERING
 BEFORE USING THIS PRINT

1. MATERIAL: RECEPTACLE COVER- ZN/C ALLOY
 GASKET: SILICON
 SCREW: STAINLESS STEEL
2. PLATING: RECEPTACLE COVER- 1.27 μ m NICKEL OVER COPPER PLATED
3. PACKAGED AS SEPARATED KITS IN ONE BOX
4. MATE WITH MSA COMPLIANT TRANSCEIVER



3	2292789-1	M1.4X6 SCREW	2
1	2287077-1	RECEPTACLE COVER	1
-1	PART NUMBER	DESCRIPTION	ITEM

THIS DRAWING IS A CONTROLLED DOCUMENT.

DWN	ANDY CIE	01JUN2016	
CHK	SEAN HAN	01JUN2016	
APVD	SEAN HAN	01JUN2016	

NAME: RECEPTACLE COVER WITH SCREW
 CFP2 1X2

SIZE: A2 CAGE CODE: - DRAWING NO: C-2304454 RESTRICTED TO: -

CUSTOMER DRAWING SCALE: 1:1 SHEET: 1 OF 1 REV: 1

DIMENSIONS:		TOLERANCES UNLESS OTHERWISE SPECIFIED:	
mm			
0 PLC	\pm		
1 PLC	\pm 0.25		
2 PLC	\pm 0.15		
3 PLC	\pm 0.10		
4 PLC	\pm		
ANGLES	\pm		
FINISH			