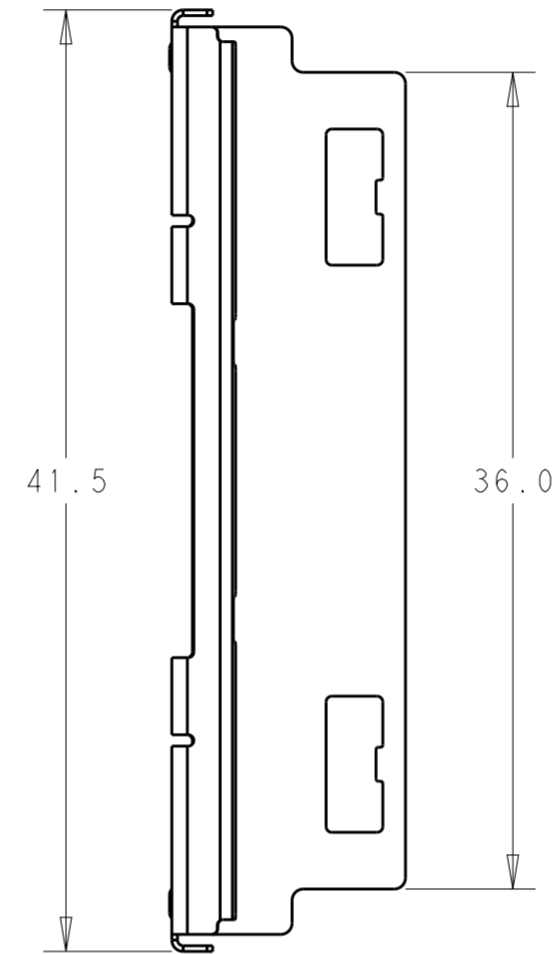
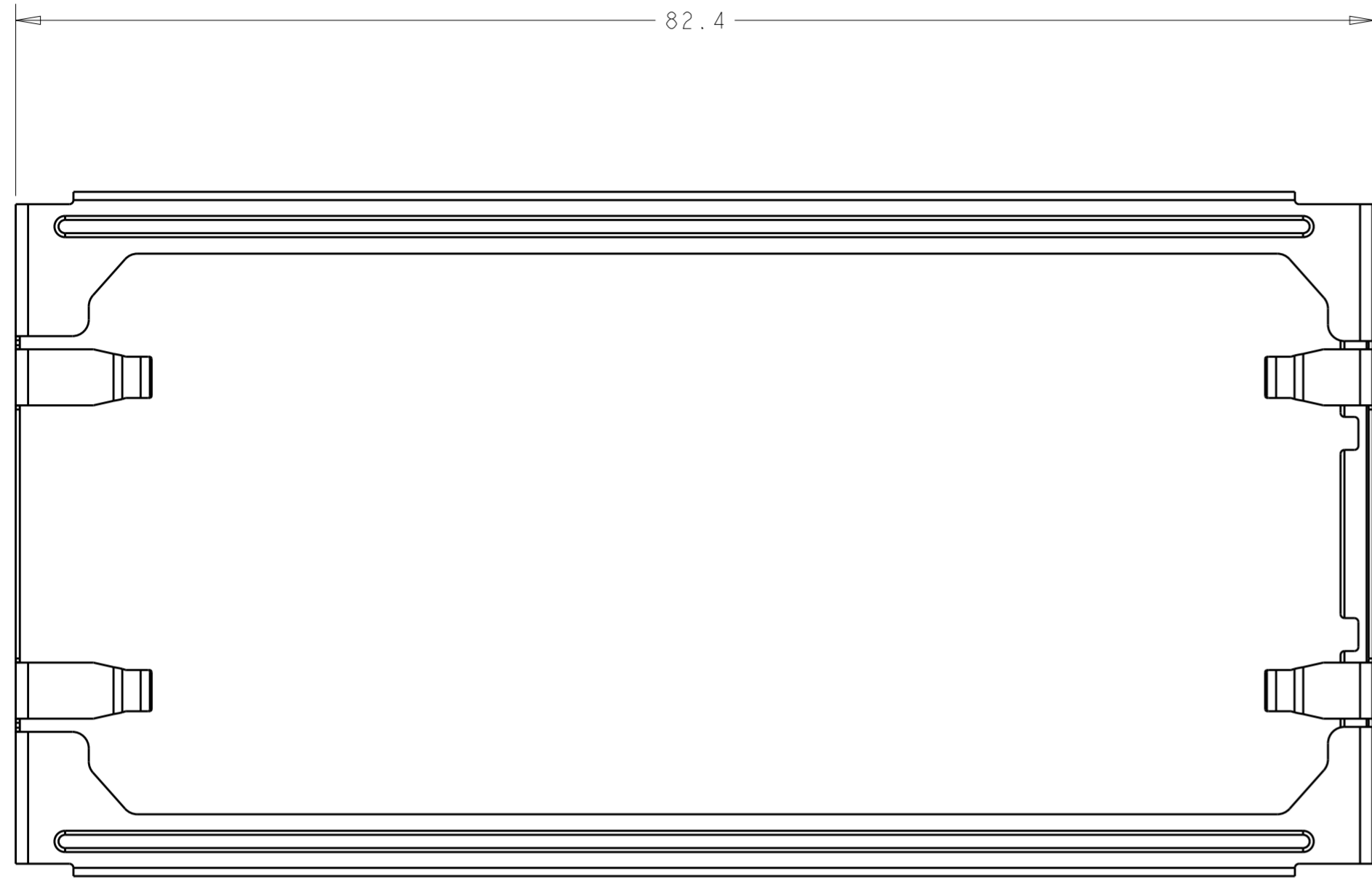
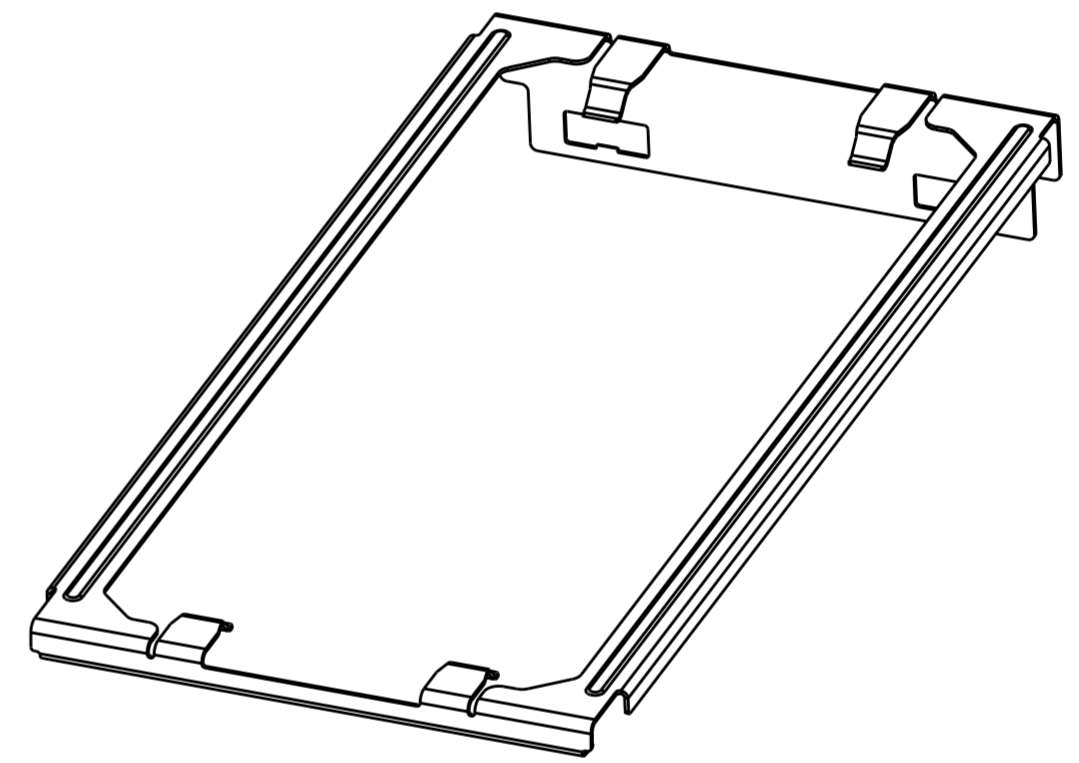


THIS DRAWING IS UNPUBLISHED. RELEASED FOR PUBLICATION 20
 © COPYRIGHT 20 BY - ALL RIGHTS RESERVED.

REVISIONS				
P	LTR	DESCRIPTION	DATE	APVD
1		INITIAL RELEASE	11OCT2016	AD SH



1 MATERIAL: STAINLESS STEEL
 2 PLATING: PASSIVATE



SCALE 2:1



THIS PRINT IS
PRELIMINARY
 UNQUALIFIED PRODUCT
 CONTACT PRODUCT ENGINEERING
 BEFORE USING THIS PRINT

2288220-2
 PART NUMBER

THIS DRAWING IS A CONTROLLED DOCUMENT.		DWN ANDY XIF 11OCT2016				
DIMENSIONS:		CHK SEAN HAN 11OCT2016				
TOLERANCES UNLESS OTHERWISE SPECIFIED:		APVD SEAN HAN 11OCT2016				
mm		NAME HEAT SINK CLIP CFP2				
0 PLC ±	±0.30	PRODUCT SPEC -	SIZE A2	CAGE CODE -	DRAWING NO. C-2288220	RESTRICTED TO -
1 PLC ±0.25		APPLICATION SPEC -	WEIGHT -	SCALE 1:1	SHEET 1 OF 1	REV 1
2 PLC ±0.15		WEIGHT -	CUSTOMER DRAWING			
3 PLC ±						
4 PLC ±						
ANGLES ±						
FINISH -						