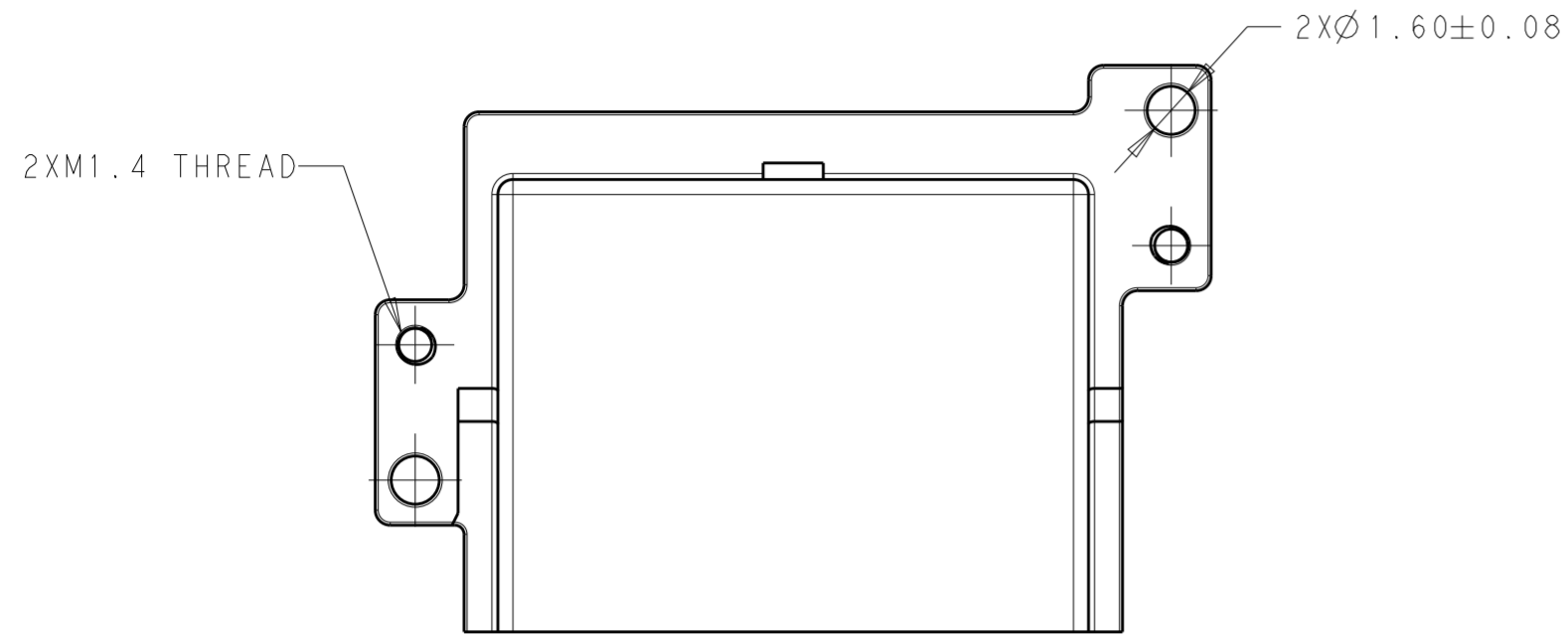
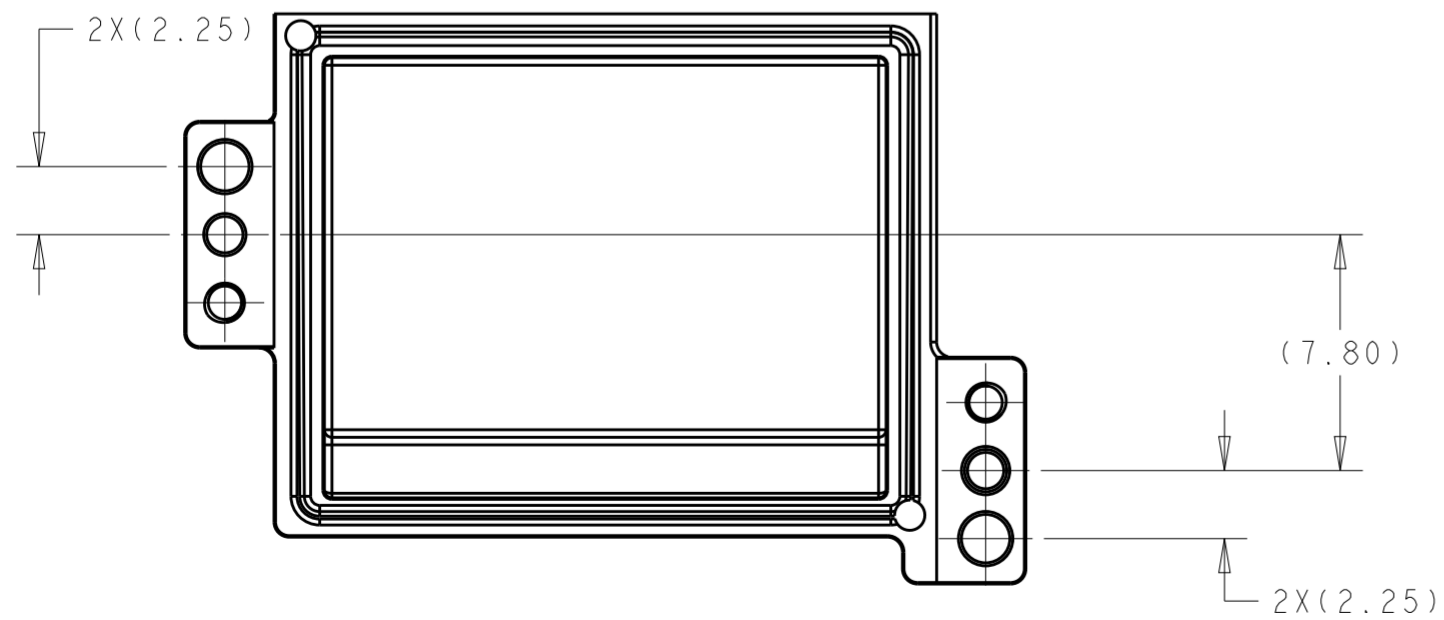
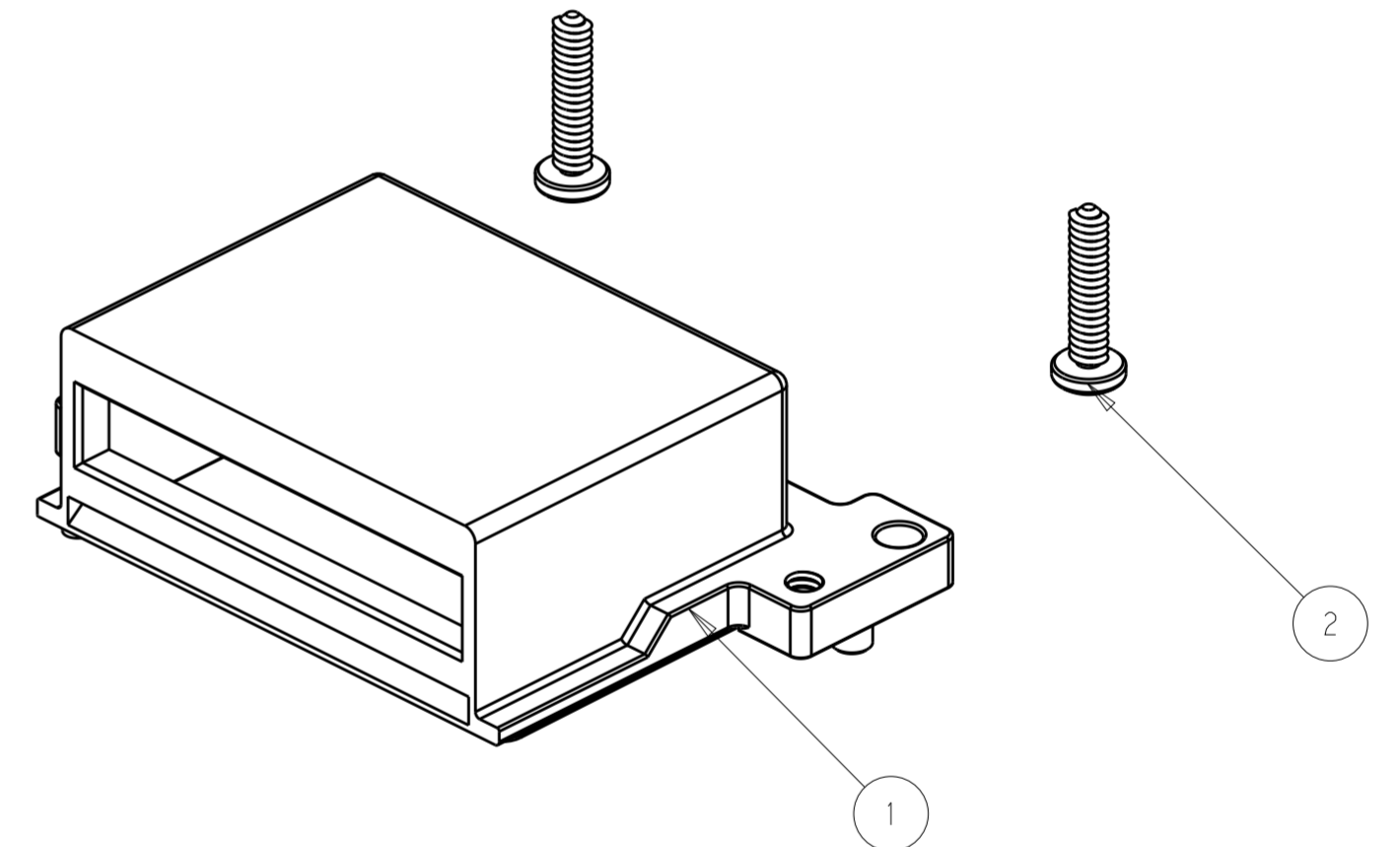
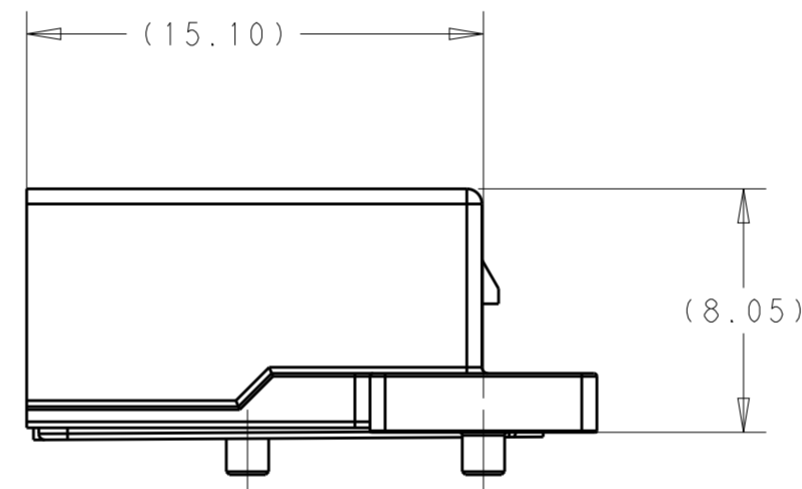
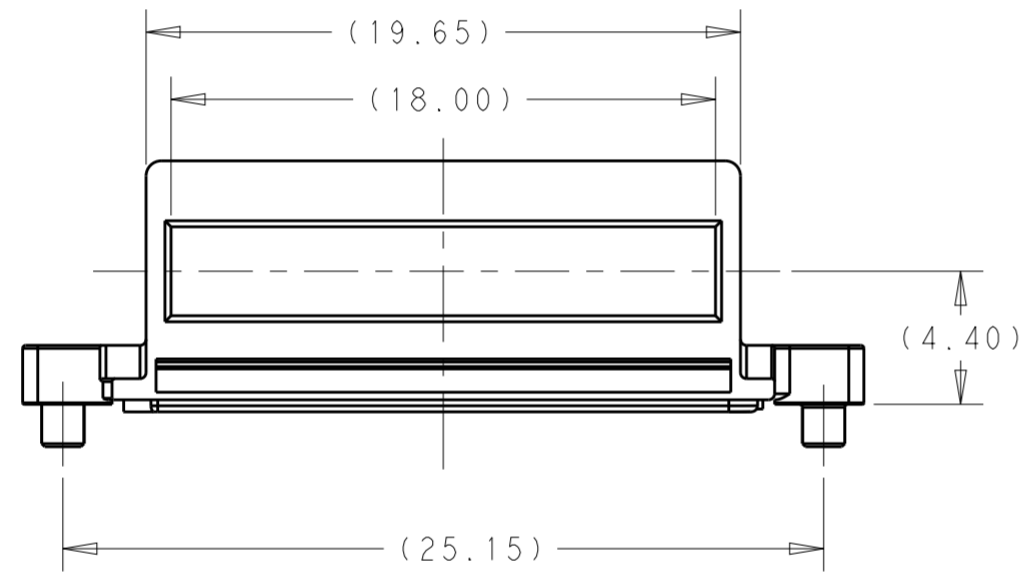


THIS DRAWING IS UNPUBLISHED. RELEASED FOR PUBLICATION 20
 © COPYRIGHT 20 BY - ALL RIGHTS RESERVED.

REVISIONS				
P	LTR	DESCRIPTION	DATE	APVD
1		PRELIMINARY DRAWING	24MAY2016	AD SH



- 1.MATERIAL: RECEPTACLE COVER: ZNIC ALLOY
GASKET: SILICON
SCREW: STAINLESS STEEL
- 2.PLATING: RECEPTACLE COVER: 1.27um MIN. NICKEL OVER COPPER PLATING
- 3.MATES WITH MSA COMPLIANT TRANSCEIVERS.
- 4.PACKAGED AS SEPARATED KITS IN ONE BOX .



THIS PRINT IS
PRELIMINARY
 UNQUALIFIED PRODUCT
 CONTACT PRODUCT ENGINEERING
 BEFORE USING THIS PRINT

2	2292789-1	M1.4X6 SCREW	2
1	2288228-1	RECEPTACLE COVER WITH GASKET	1
-1	PART/MATERIAL	DESCRIPTION	ITEM

DIMENSIONS:		TOLERANCES UNLESS OTHERWISE SPECIFIED:		DWN		24MAY2016	
mm		0 PLC	±	ANDY_XIF		CHK	24MAY2016
		1 PLC	±0.25	SEAN_HAN		APVD	24MAY2016
		2 PLC	±0.15	SEAN_HAN		NAME	RECEPTACLE COVER WITH SCREW
		3 PLC	±0.10			PRODUCT SPEC	CFP4 1X1
		4 PLC	±			APPLICATION SPEC	
		ANGLES	±			WEIGHT	
		FINISH				SIZE	A2
MATERIAL	-					CAGE CODE	-
	-					DRAWING NO	2304455
	-					RESTRICTED TO	
						SCALE	1:1
						SHEET	1 OF 1
						REV	1