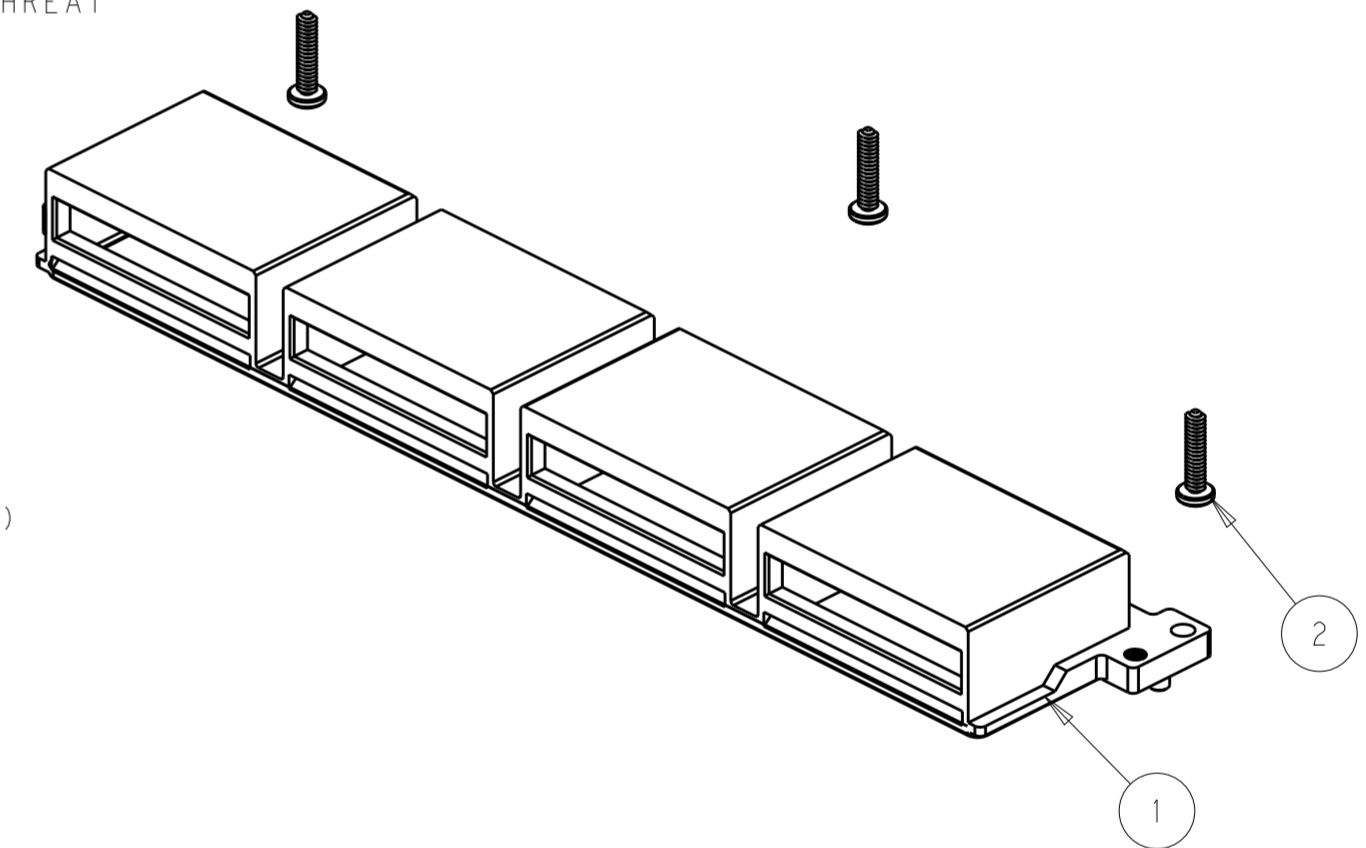
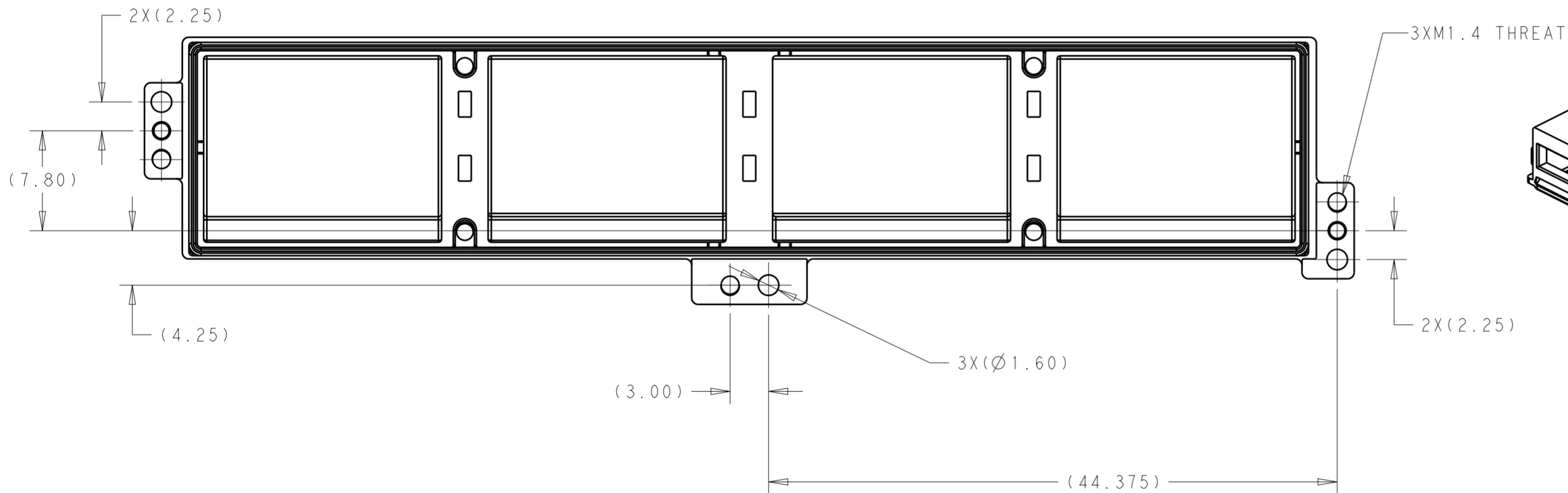
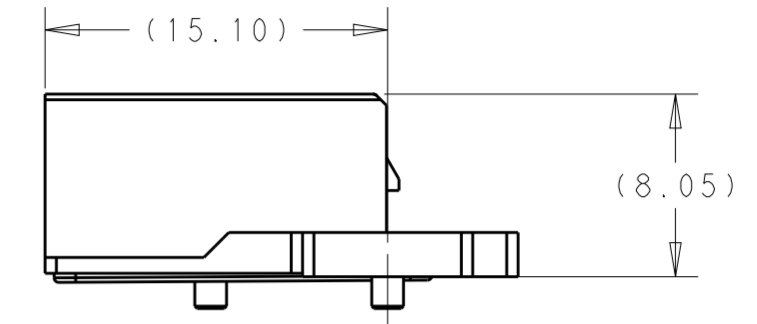
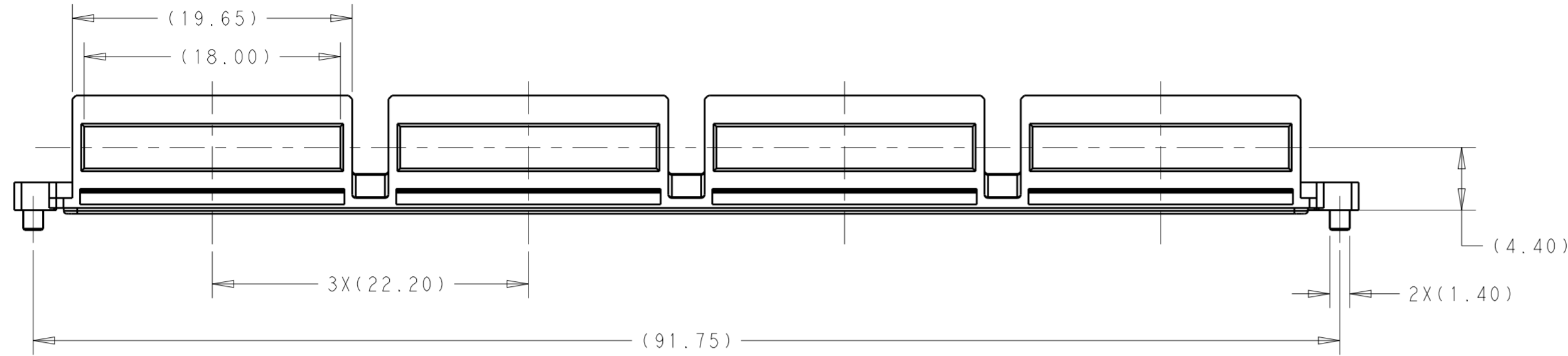


THIS DRAWING IS UNPUBLISHED. RELEASED FOR PUBLICATION 20
 © COPYRIGHT 20 BY - ALL RIGHTS RESERVED.

REVISIONS				
P	LTR	DESCRIPTION	DATE	APVD
1		PRELIMINARY DRAWING	25MAY2016	AD SH



- 1. MATERIAL : RECEPTAL COVER-ZNIC ALLOY
 GASKET:SILICON
 SCREW:STAINLESS STEEL
- 2.PLATING: RECEPTAL COVER-1.27µm MIN NICKEL OVER COPPER PLATING
- 3.MATE WIHT MSA COMPLIANT TRANSCEIVER
- 4.PACKAGE AS SEPARAOTR KITS IN ONE BOX

THIS PRINT IS
PRELIMINARY
 UNQUALIFIED PRODUCT
 CONTACT PRODUCT ENGINEERING
 BEFORE USING THIS PRINT

3	2292789-1	M1.4X6 SCREW	2
1	2289498-1	RECEPTAL COVER WIHT GASKET	1
-1	PART NUMBER	DESCRIPTION	ITEM

DIMENSIONS:		TOLERANCES UNLESS OTHERWISE SPECIFIED:		DWN		APVD		NAME	
mm		0 PLC	±	ANDY XIF	25MAY2016	SEAN HAN	25MAY2016	SEAN HAN	25MAY2016
		1 PLC	±0.25	CHK		SEAN HAN		SEAN HAN	
		2 PLC	±0.15	APVD		SEAN HAN		SEAN HAN	
		3 PLC	±0.10	PRODUCT SPEC					
		4 PLC	±	APPLICATION SPEC					
		ANGLES	±	WEIGHT					
		FINISH							
MATERIAL	-								
	-								
	-								

STE TE Connectivity
PRELIMINARY
 RECEPTAL COVER WITH SCREW
 CFP4 1X4

SIZE	CAGE CODE	DRAWING NO	RESTRICTED TO
A2	-	2304456	-
SCALE	1:1	SHEET	OF
		1	1
CUSTOMER DRAWING		REV	1