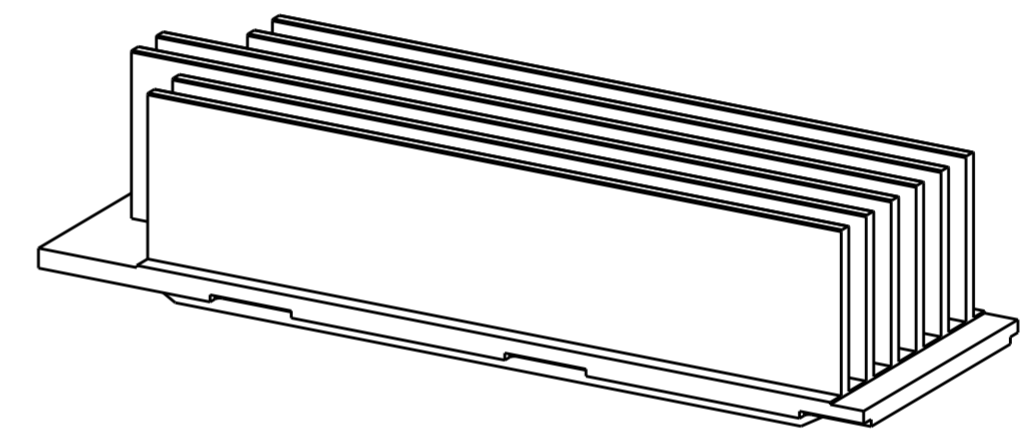
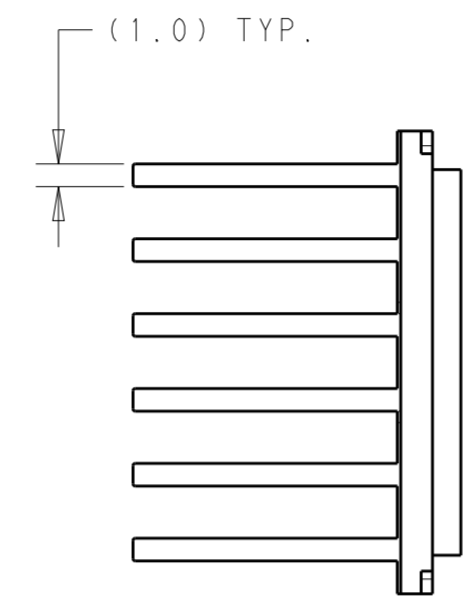
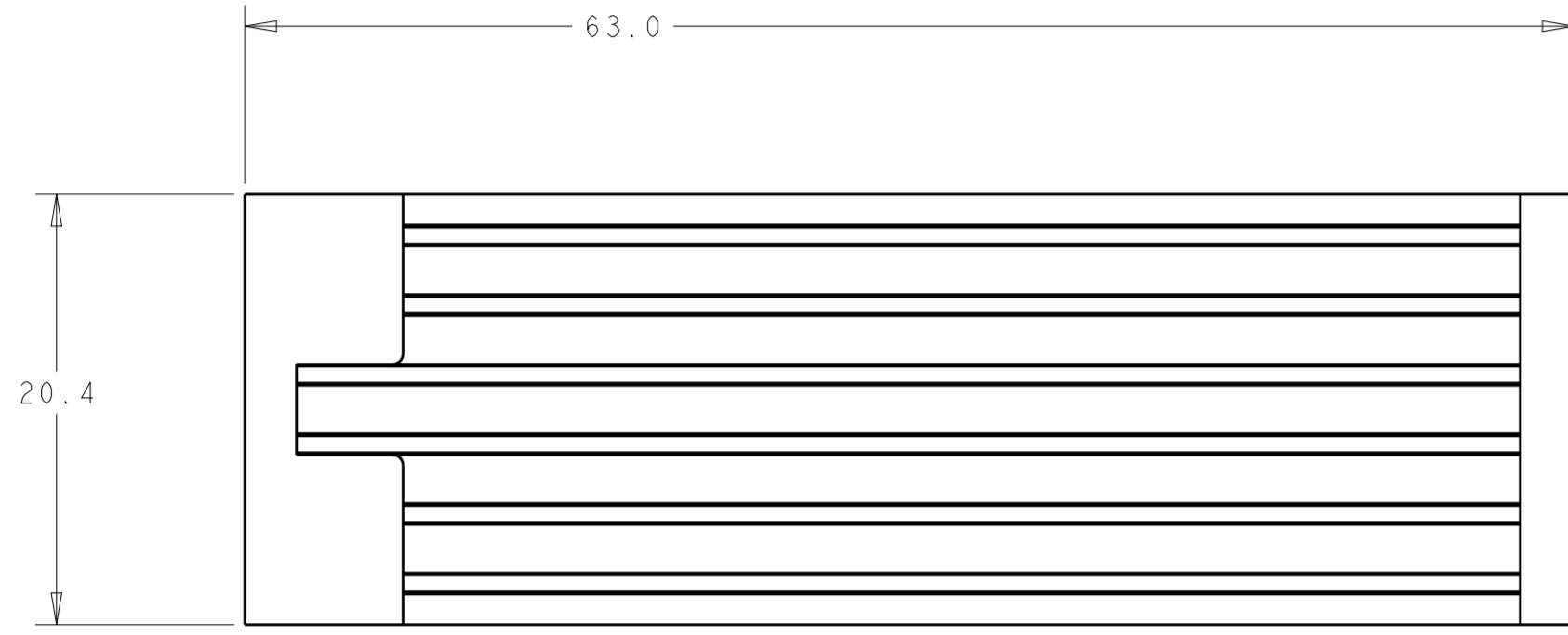
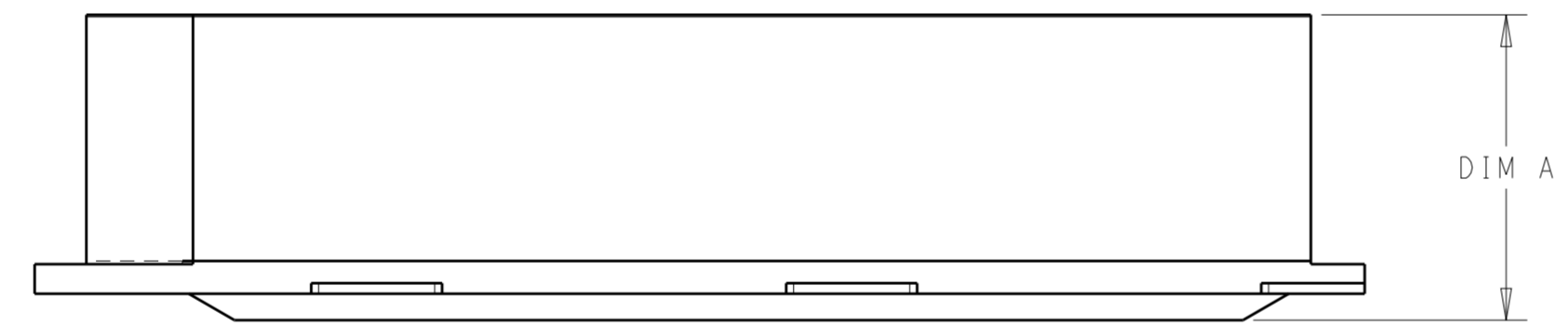


THIS DRAWING IS UNPUBLISHED. RELEASED FOR PUBLICATION 20
 © COPYRIGHT 20 BY - ALL RIGHTS RESERVED.

REVISIONS				
P	LTR	DESCRIPTION	DATE	APVD
1		INITIAL RELEASE	11OCT2016	AD SH



2288231-3 AS SHOWN
SCALE 2:1



THIS PRINT IS
PRELIMINARY
 UNQUALIFIED PRODUCT
 CONTACT PRODUCT ENGINEERING
 BEFORE USING THIS PRINT

- 1 MATERIAL: ALUMINUM ALLOY;
- 2 FINISH: ELECTROLESS NICKEL;
- 3 FINISH: ANODIZED BLACK;
- 4.0.2mm MAX BURR PERMISSIBLE
- 5.VARIATION IN PLATING COLOR IS NORMAL AND ALLOWED

16.25	3	2288231-6
14.45	3	2288231-3
DIM. A	FINISH	PART NUMBER

THIS DRAWING IS A CONTROLLED DOCUMENT.		DWN ANDY XIF 11OCT2016	 TE Connectivity PRELIMINARY																				
DIMENSIONS: mm		CHK SEAN HAN 11OCT2016																					
TOLERANCES UNLESS OTHERWISE SPECIFIED:		APVD SEAN HAN 11OCT2016																					
<table border="1"> <tr> <td>0 PLC</td> <td>±</td> <td></td> </tr> <tr> <td>1 PLC</td> <td>±0.3</td> <td></td> </tr> <tr> <td>2 PLC</td> <td>±0.25</td> <td></td> </tr> <tr> <td>3 PLC</td> <td>±0.15</td> <td></td> </tr> <tr> <td>4 PLC</td> <td>±</td> <td></td> </tr> <tr> <td>ANGLES</td> <td>±</td> <td></td> </tr> <tr> <td>FINISH</td> <td></td> <td></td> </tr> </table>		0 PLC			±		1 PLC	±0.3		2 PLC	±0.25		3 PLC	±0.15		4 PLC	±		ANGLES	±		FINISH	
0 PLC	±																						
1 PLC	±0.3																						
2 PLC	±0.25																						
3 PLC	±0.15																						
4 PLC	±																						
ANGLES	±																						
FINISH																							
MATERIAL	-	PRODUCT SPEC -	SIZE A2	CAGE CODE -	DRAWING NO C-2288231	RESTRICTED TO -																	
		APPLICATION SPEC -	WEIGHT -	SCALE 1:1	SHEET 1 OF 1	REV 1																	
		CUSTOMER DRAWING																					