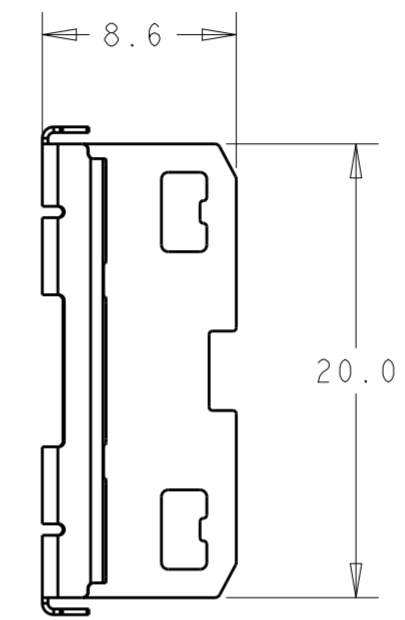
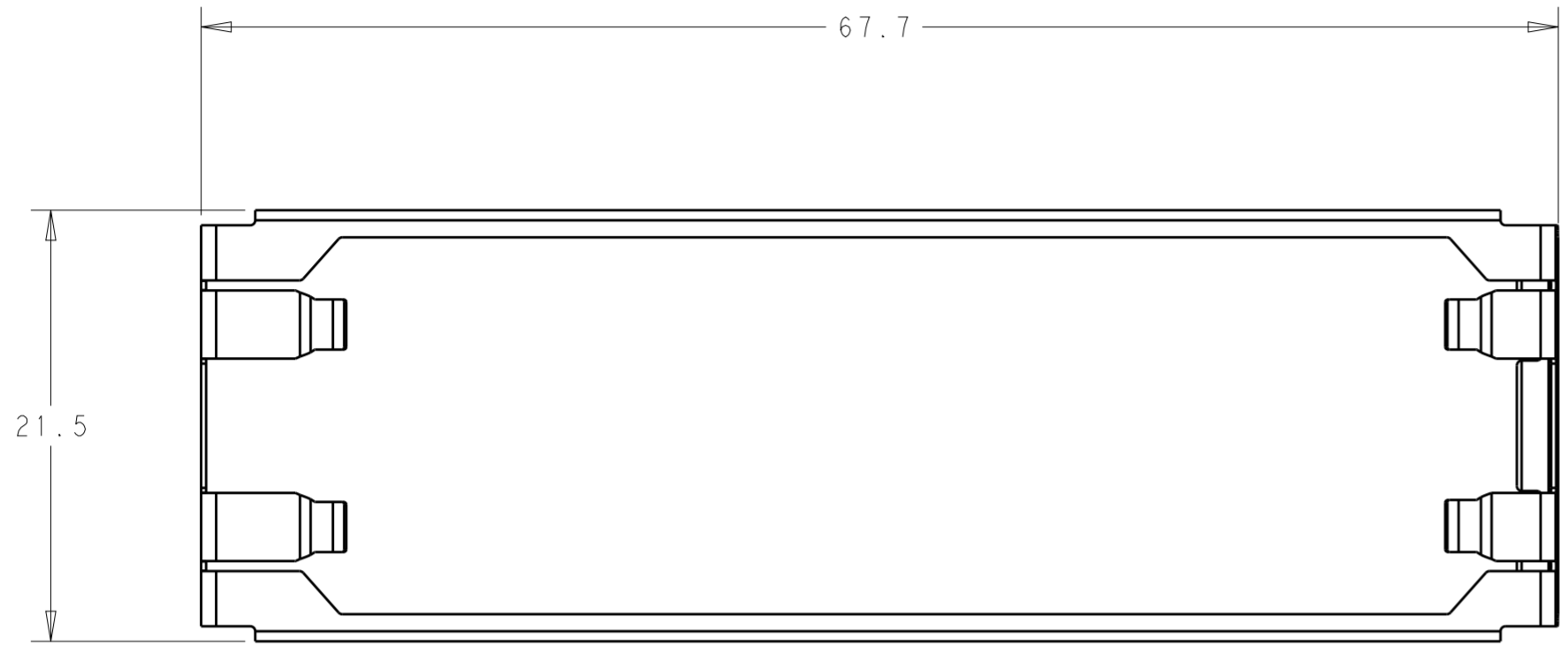


THIS DRAWING IS UNPUBLISHED. RELEASED FOR PUBLICATION 20
 © COPYRIGHT 20 BY - ALL RIGHTS RESERVED.

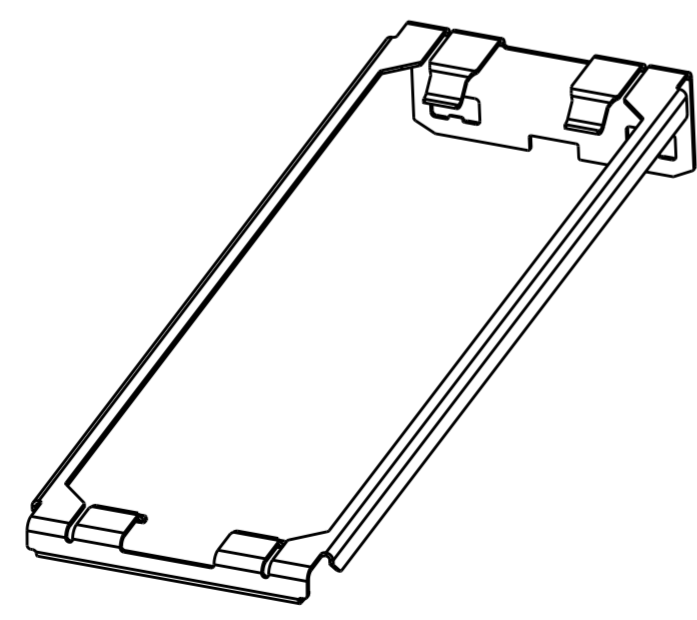
REVISIONS				
P	LTR	DESCRIPTION	DATE	APVD
1		INITIAL RELEASE	11OCT2016	AD SH



1 MATERIAL: STAINLESS STEEL
 2 PLATING: PASSIVATE



THIS PRINT IS
PRELIMINARY
 UNQUALIFIED PRODUCT
 CONTACT PRODUCT ENGINEERING
 BEFORE USING THIS PRINT



SCALE 2:1

2289502-2
 PART NUMBER

THIS DRAWING IS A CONTROLLED DOCUMENT.		DWN ANDY XIF 11OCT2016					
DIMENSIONS: mm		CHK SEAN HAN 11OCT2016					
TOLERANCES UNLESS OTHERWISE SPECIFIED:		APVD SEAN HAN 11OCT2016					
0 PLC ± 1 PLC ±0.3 2 PLC ±0.25 3 PLC ±0.2 4 PLC ± ANGLES ± FINISH ±		NAME HEAT SINK CLIP CFP4					
MATERIAL -		PRODUCT SPEC -	APPLICATION SPEC -	SIZE A2	CAGE CODE -	DRAWING NO C-2289502	RESTRICTED TO -
-		WEIGHT -	CUSTOMER DRAWING	SCALE 1:1	SHEET 1	OF 1	REV 1