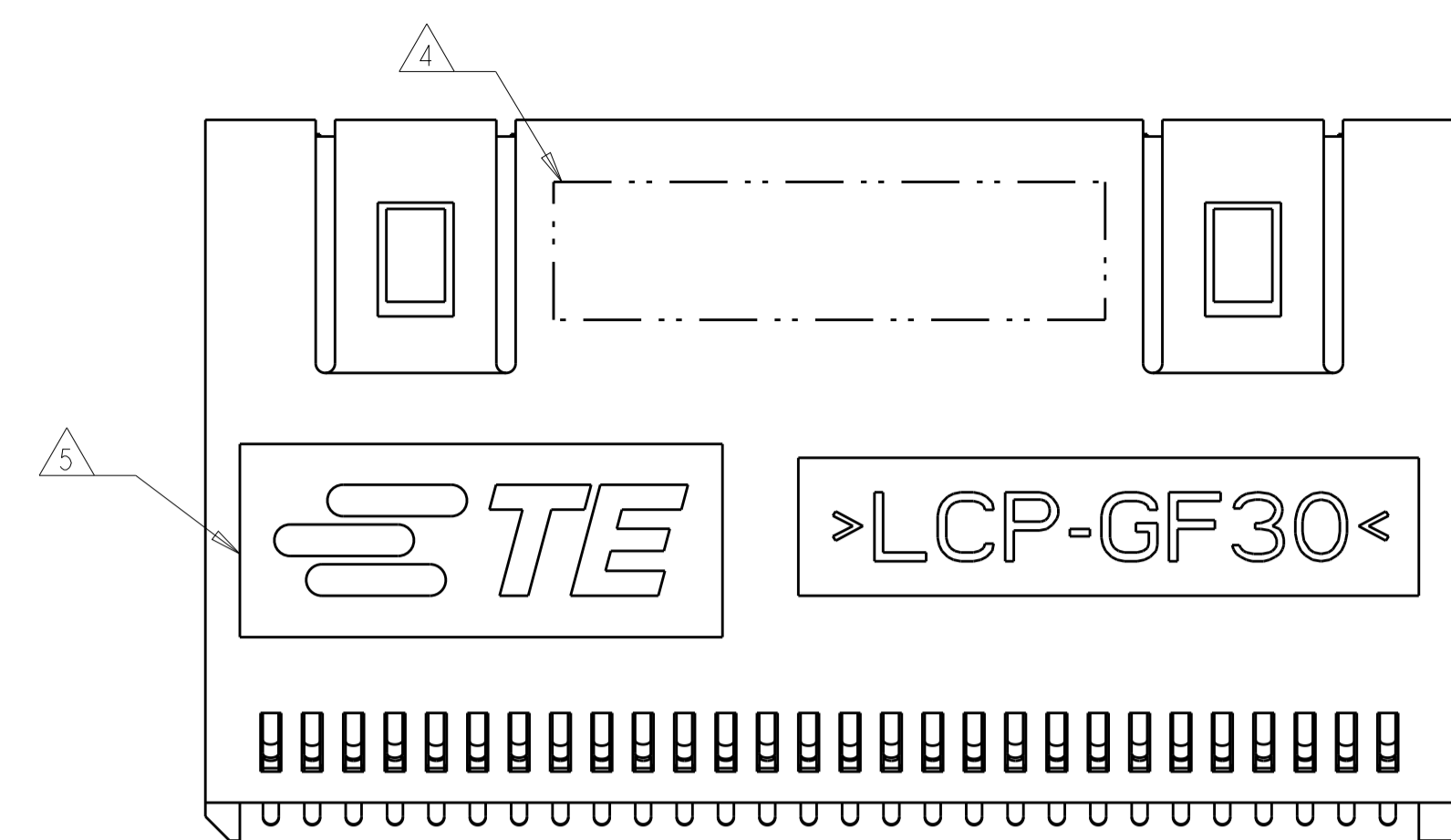
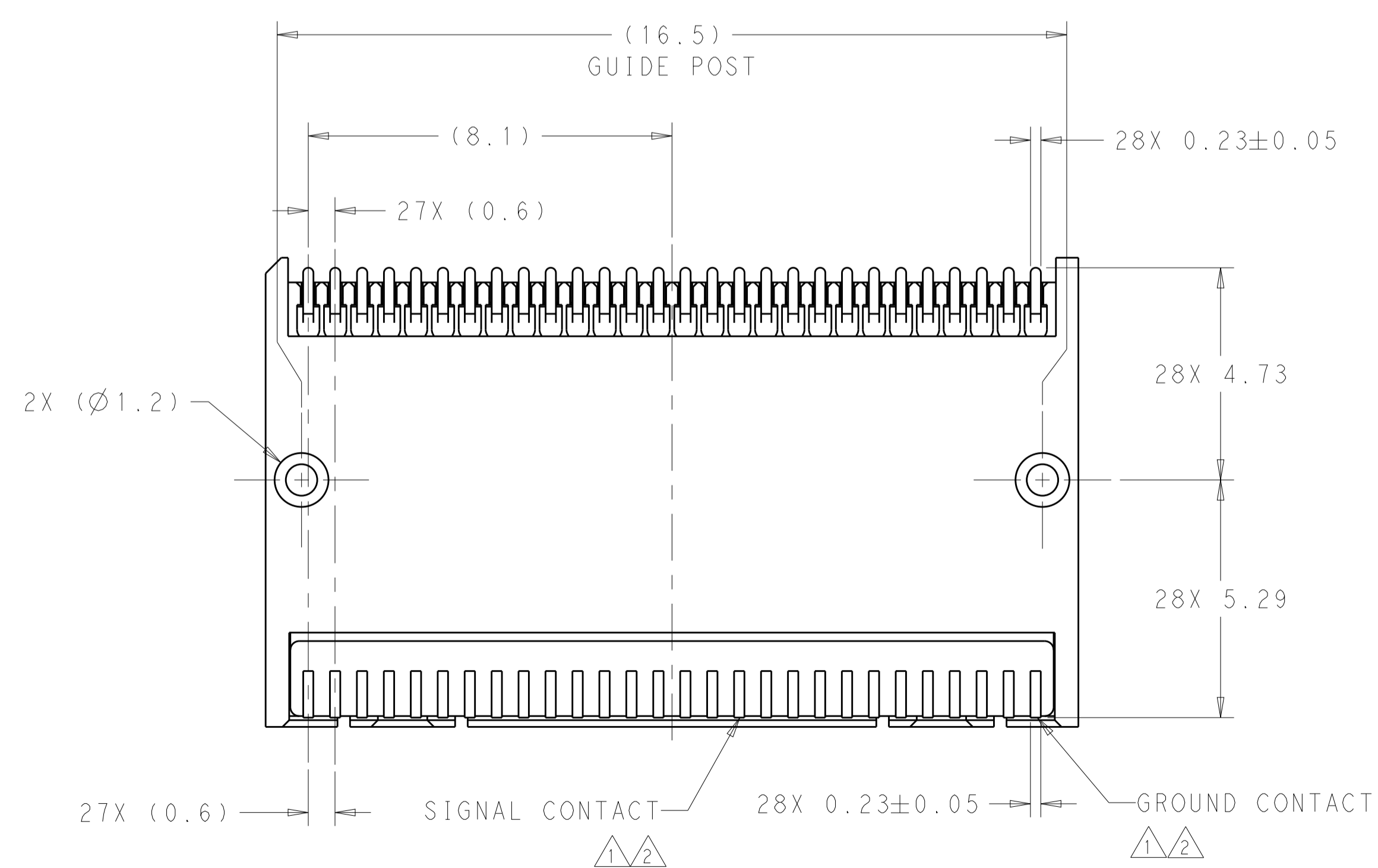
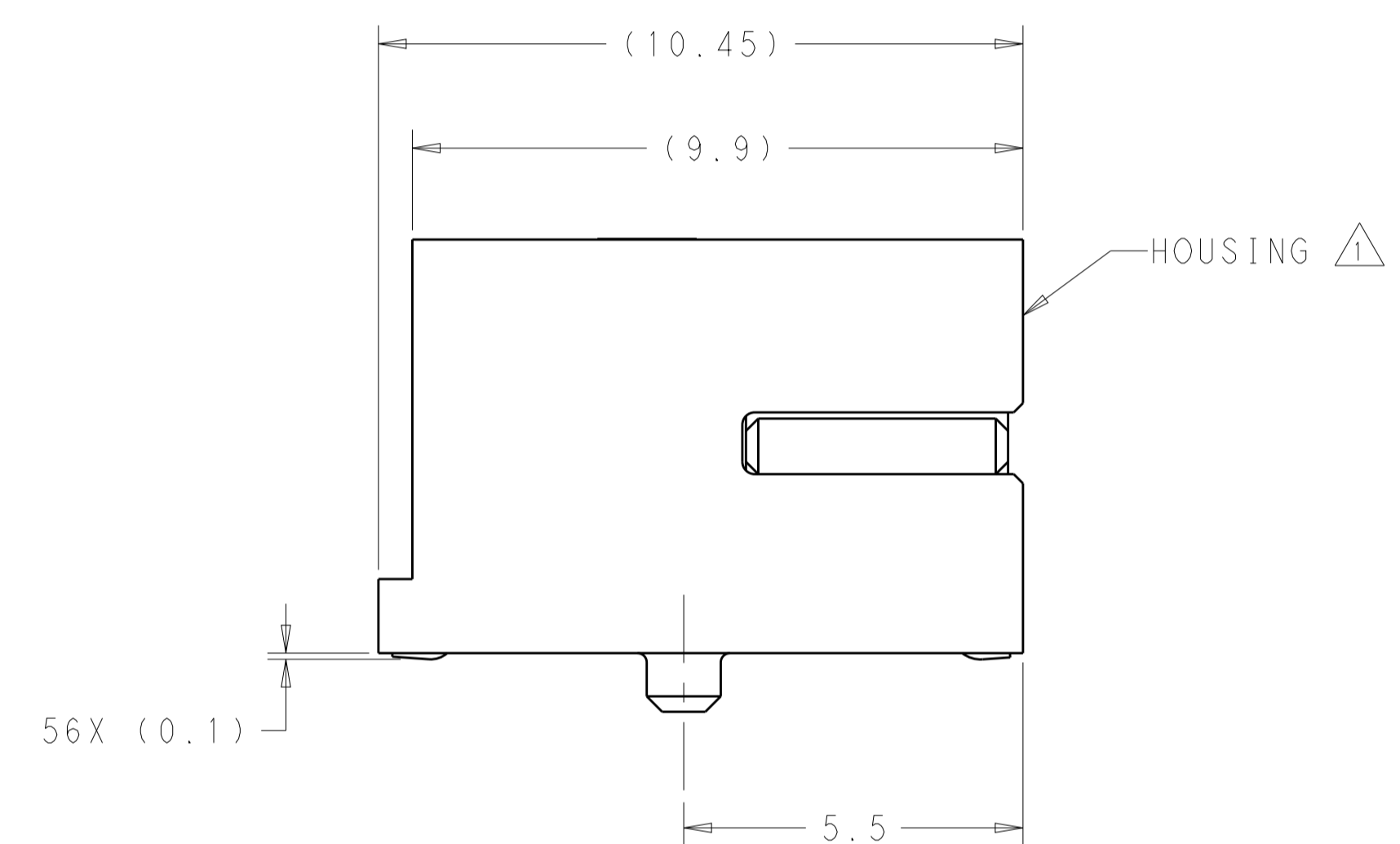
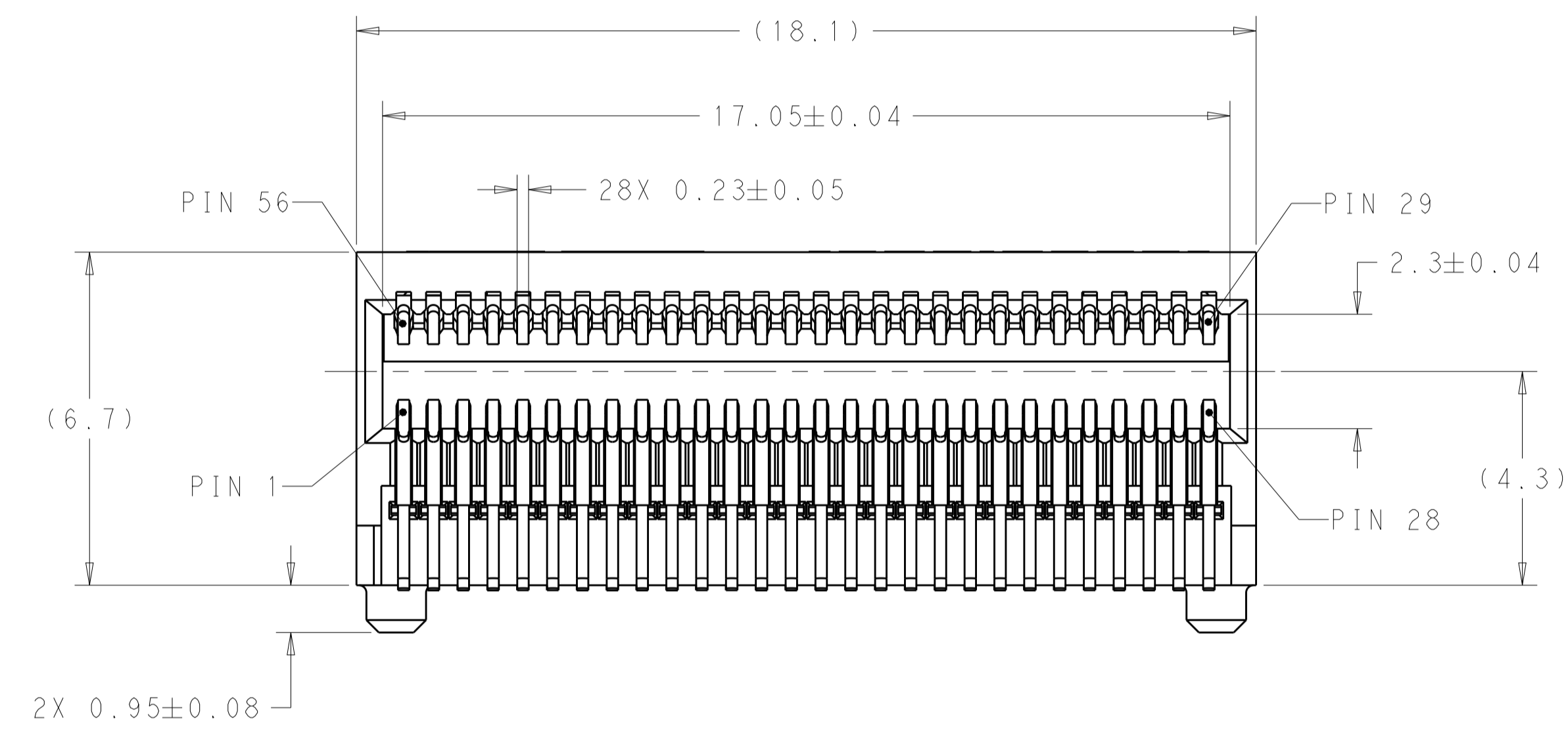


REVISIONS				
P.	LTN.	DESCRIPTION	DATE	APPROV.
5		REVISED	02NOV2016	MS JW



- ⚠ MATERIALS:
 HOUSING- POLYESTER LCP, UL 94V-0
 SIGNAL CONTACT- COPPER ALLOY.
 GROUND CONTACT- COPPER ALLOY.
- ⚠ CONTACT FINISH: CONFORMS TO THE REQUIREMENTS OF TE PRODUCT SPECIFICATION 108-32103, BASED ON EIA/ECA-364-1000.01A, (CONTROLLED ENVIRONMENT APPLICATIONS) ON MATING INTERFACE, GOLD FLASH ON SOLDER TAIL.
- ⚠ DATUM AND BASIC DIMENSION ESTABLISHED BY CUSTOMER.
- ⚠ PART NUMBER AND DATE CODE MARKED IN APPROXIMATE AREA SHOWN.
- ⚠ MANUFACTURER'S LOGO APPROXIMATELY AS SHOWN.



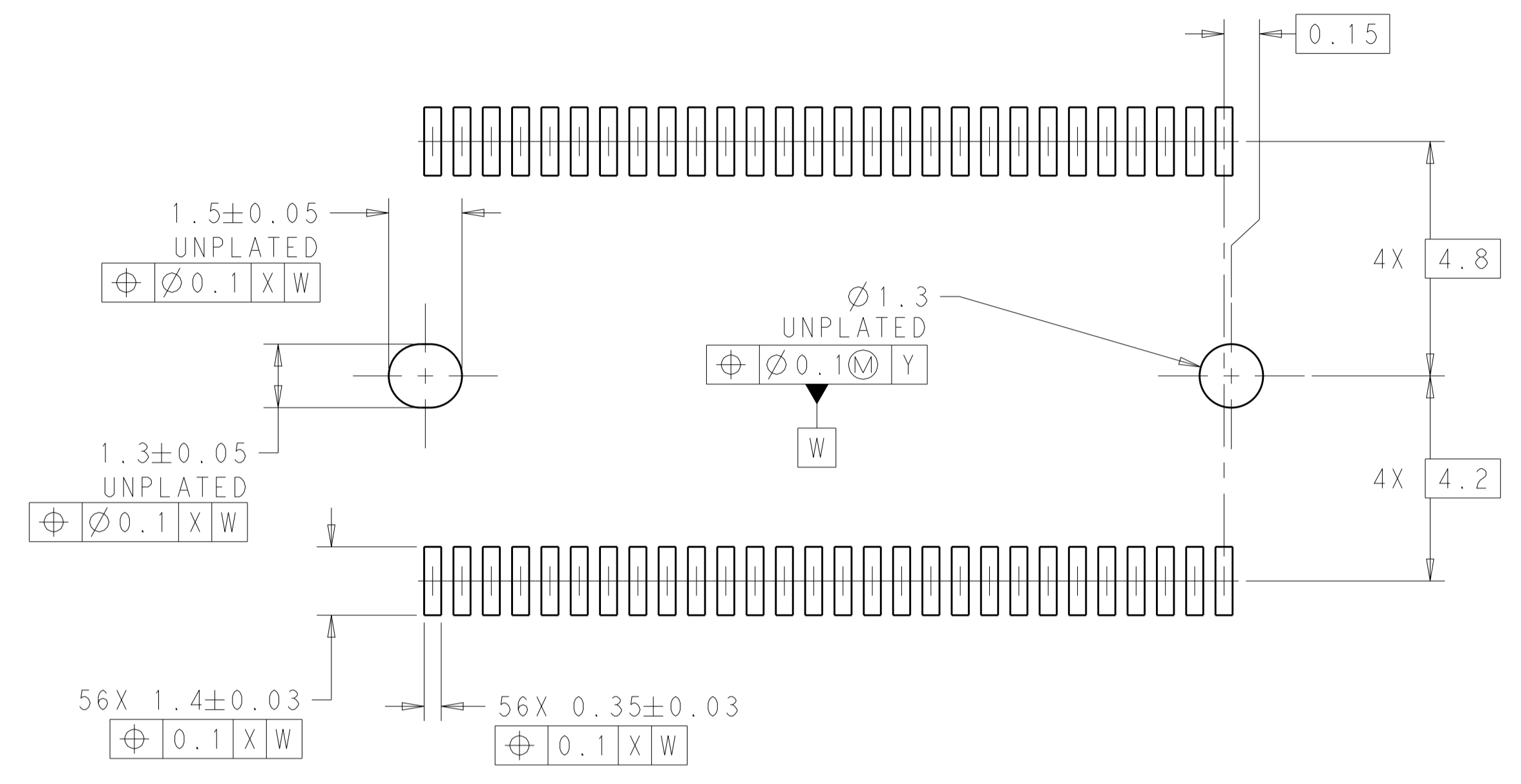
THIS PRODUCT HAS NOT COMPLETED VALIDATION AND QUALIFICATION TESTING

2288229-1
 PART NUMBER

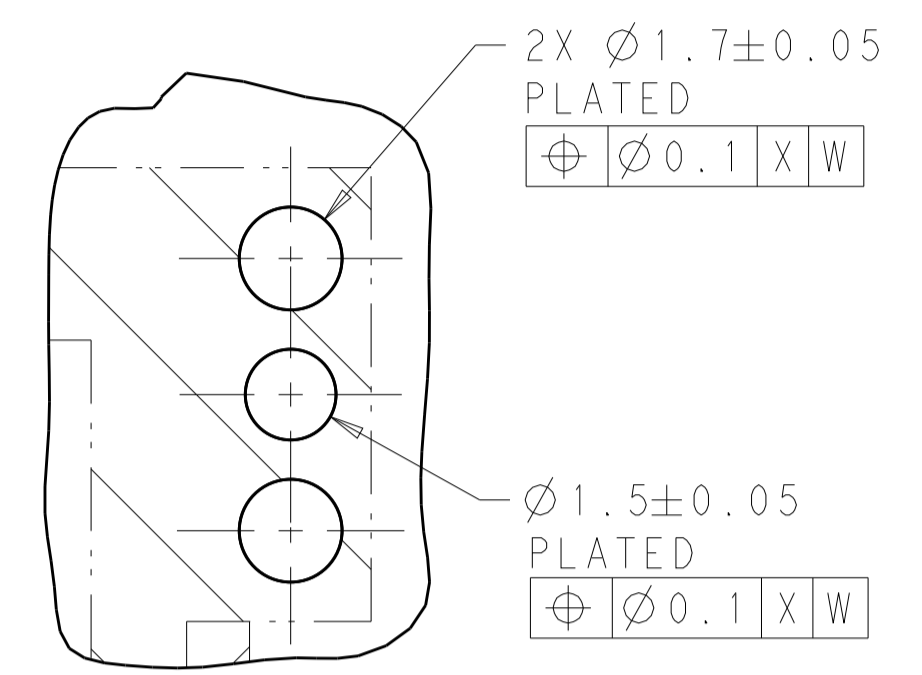
PRELIMINARY
 NOT RELEASED FOR PRODUCTION

THIS DRAWING IS A CONTROLLED DOCUMENT.		DWN: B MATTHEWS 01MAY2015		TE Connectivity CONNECTOR ASSEMBLY RECEPTACLE, CFP4
DIMENSIONS: mm		CHK: M SCHWITZ 01MAY2015		
TOLERANCES UNLESS OTHERWISE SPECIFIED:		APV: M SCHWITZ 01MAY2015	NAME: -	
0 PLC	±	PRODUCT SPEC	SIZE: -	
1 PLC	±0.1	108-32103	CAGE CODE: -	
2 PLC	±	APPLICATION SPEC	DRAWING NO: -	
3 PLC	±	114-32146	RESTRICTED TO: -	
4 PLC	±	WEIGHT: -	A100779C=2288229	
ANGLES	±	CUSTOMER DRAWING	SCALE: 10:1 SHEET 1 OF 4 REV 5	

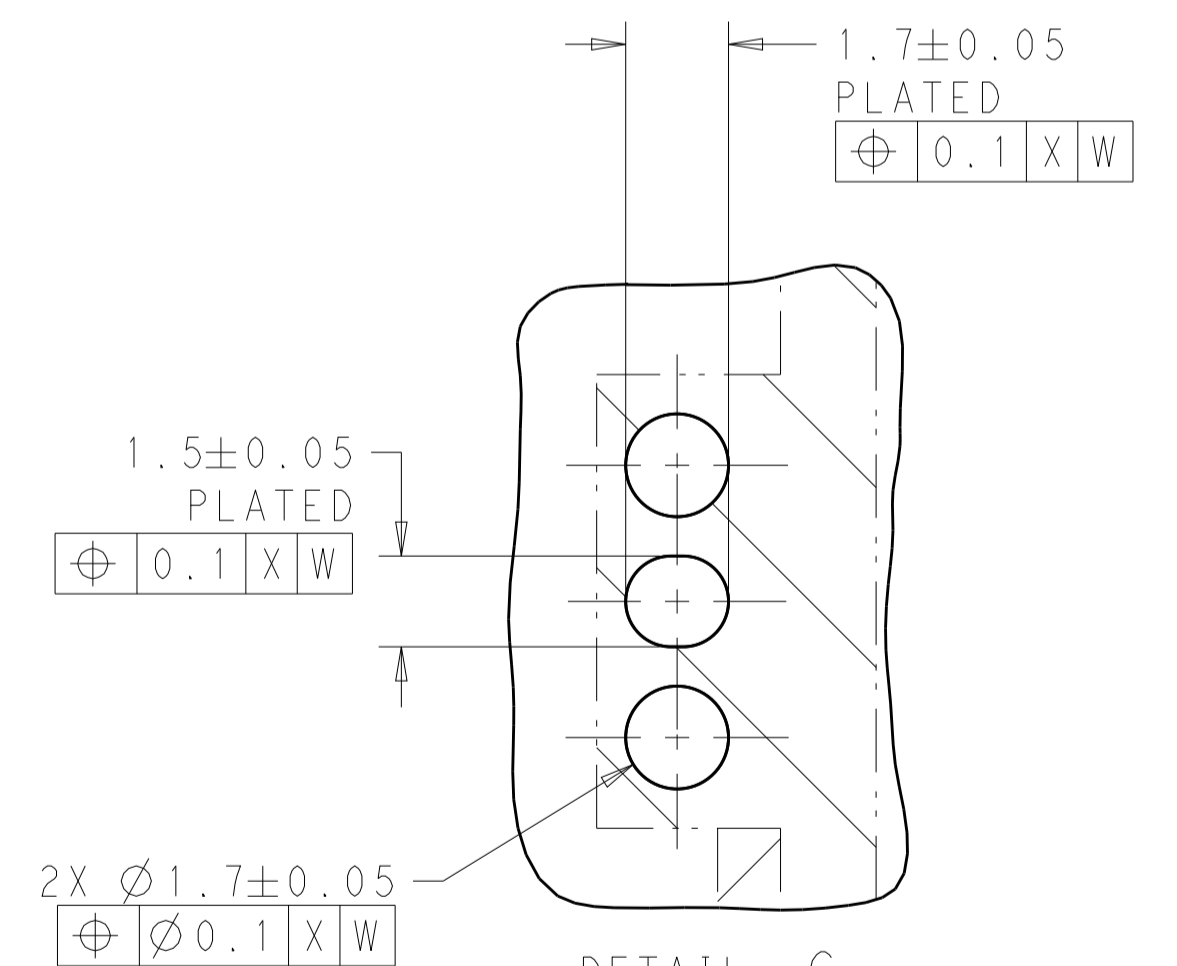
REVISIONS				
P.	LTN.	DESCRIPTION	DATE	APVD.
-	-	SEE SHEET 1	-	-



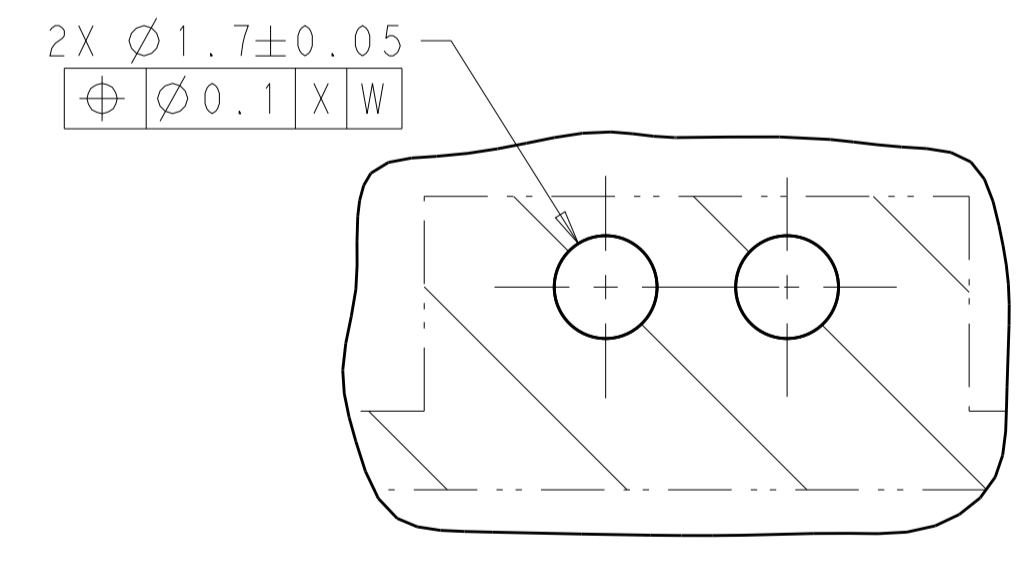
DETAIL A
 4X INDIVIDUALLY
 SCALE 10:1



DETAIL B
 SCALE 8:1



DETAIL C
 SCALE 8:1



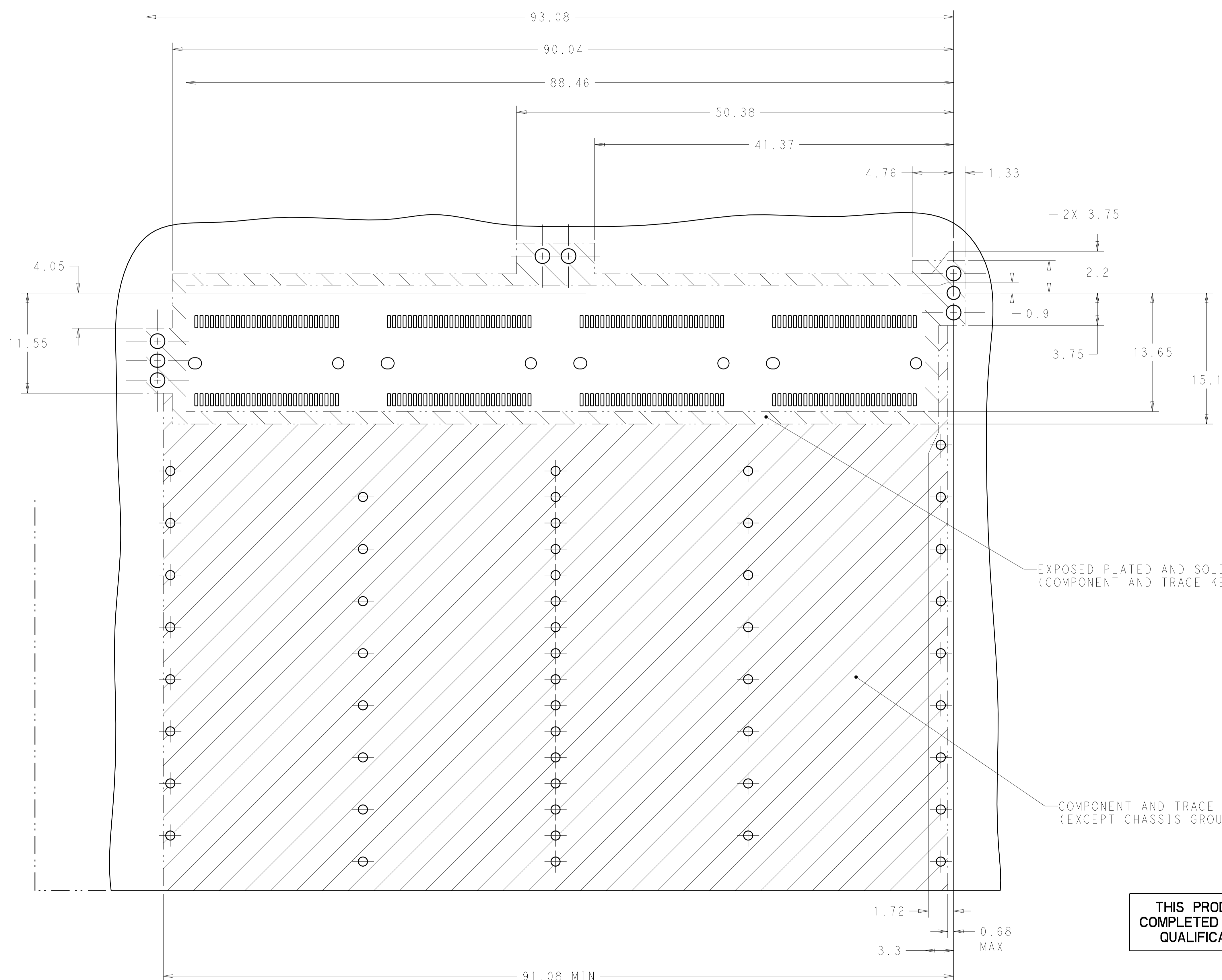
DETAIL D
 SCALE 8:1

THIS PRODUCT HAS NOT COMPLETED VALIDATION AND QUALIFICATION TESTING

PRELIMINARY NOT RELEASED FOR PRODUCTION

THIS DRAWING IS A CONTROLLED DOCUMENT.		DWN: B. MATTHEWS 01MAY2015	TE Connectivity
DIMENSIONS: mm		CHK: M. SCHMITT 01MAY2015	
TOLERANCES UNLESS OTHERWISE SPECIFIED: 0 PLC ± 1 PLC ±0.1 2 PLC ± 3 PLC ± 4 PLC ± ANGLES ±		APVD: M. SCHMITT 01MAY2015	NAME: CONNECTOR ASSEMBLY, RECEPTACLE, CFP4
MATERIAL: -		PRODUCT SPEC: 108-32103	SIZE: A1
FINISH: -		APPLICATION SPEC: 114-32146	CAGE CODE: 2288229
CUSTOMER DRAWING		WEIGHT: -	RESTRICTED TO: -
		SCALE: 10:1	SHEET 3 OF 4 REV 5

REVISIONS				
P.	LTN	DESCRIPTION	DATE	APVD
-	-	SEE SHEET 1	-	-



EXPOSED PLATED AND SOLDERMASK PULLED BACK
 (COMPONENT AND TRACE KEEP-OUT AREA)

COMPONENT AND TRACE KEEP-OUT AREA
 (EXCEPT CHASSIS GROUND)

THIS PRODUCT HAS NOT COMPLETED VALIDATION AND QUALIFICATION TESTING

SCALE 4:1

**PRELIMINARY
 NOT RELEASED FOR PRODUCTION**

THIS DRAWING IS A CONTROLLED DOCUMENT.		DWN B. MATTHEWS 01MAY2015	TE Connectivity
DIMENSIONS: mm		CHK M. SCHMITT 01MAY2015	
TOLERANCES UNLESS OTHERWISE SPECIFIED:		APVD M. SCHMITT 01MAY2015	NAME CONNECTOR ASSEMBLY, RECEPTACLE, CFP4
0 PLC ±	1 PLC ±0.1	PRODUCT SPEC 108-32103	SIZE A100779
2 PLC ±	3 PLC ±	APPLICATION SPEC 114-32146	CAGE CODE C=2288229
4 PLC ±	ANGLES ±	WEIGHT	RESTRICTED TO
MATERIAL	FINISH	CUSTOMER DRAWING	SCALE 10:1 SHEET 4 OF 4 REV 5