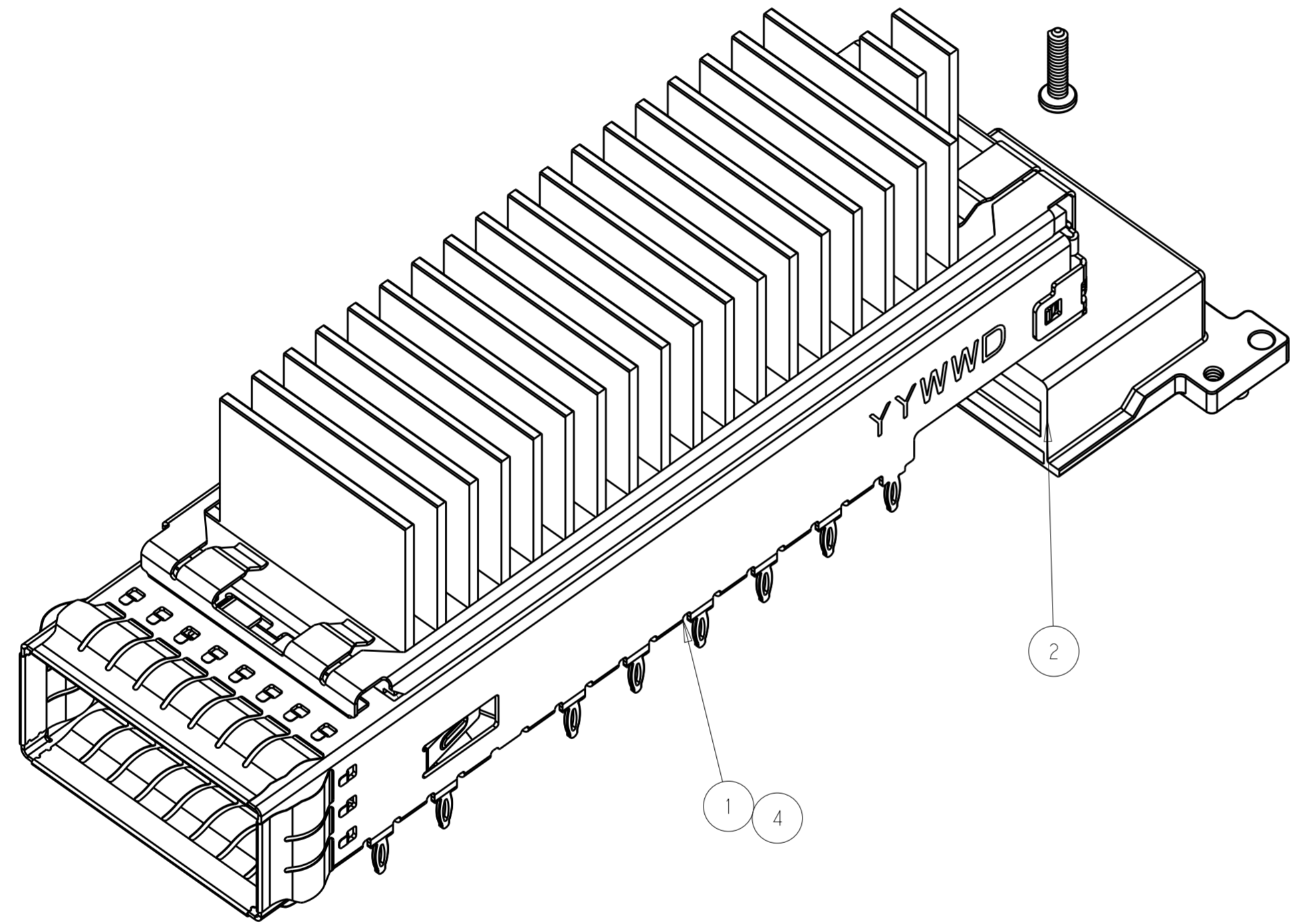


THIS DRAWING IS UNPUBLISHED. RELEASED FOR PUBLICATION 20
 © COPYRIGHT 20 BY - ALL RIGHTS RESERVED.

REVISIONS					
P	LTR	DESCRIPTION	DATE	DWN	APVD
1		PRELIMINARY DRAWING	16JUN2015	AD	SH
2		ADD NEW DASH NUMBER	19JUN2015	AD	SH
4		REVISE BOM	25JUN2015	AD	SH
8		ADDED DASH NUMBER 2288226-4	06FEB2017	TX	SH



- 1. MATERIAL : CAGE :0.3MM THICK NICKEL SILVER ALLOY;
EMI SPRING: COPPER ALLOY;
HEAT SINK CLIP: STAINLESS STEEL;
HEAT SINK:ALUMINUM ALLOY;
RECEPTACLE COVER:ZINC ALLOY;
- 2. FINISH: EMI SPRING -1.27um NICKEL PALTING OVER ALL;
HEAT SINK:BLACK ANODIZED COATING;
RECEPTACLE COVER: 1.27um MIN NICKEL PLATING OVER COPPER PLATING;
HEAT SINK CLIP: PASSIVATE;
- 3.MATES WITH CFP MSA COMPLIANT TRANSCEIVERS.
- 4.DATUM AND BASIC DIMENSION ESTABLISHED BY CUSTOMER.
- 5.MINIMUM PC BOARD THICKNESS: SIGLE SIDE APPLICATIONS=2.99±0.63mm.
- 6.PADS AND VIAS CHASSIS GROUND;
- 7:REFERENCE APPLICATION SPEC 114-XXXX,HOLE A, FOR
RECOMMENDED DRILL HOLE DIAMETER AND PLATING THICKNESS.

THIS PRINT IS
PRELIMINARY
 UNQUALIFIED PRODUCT
 CONTACT PRODUCT ENGINEERING
 BEFORE USING THIS PRINT

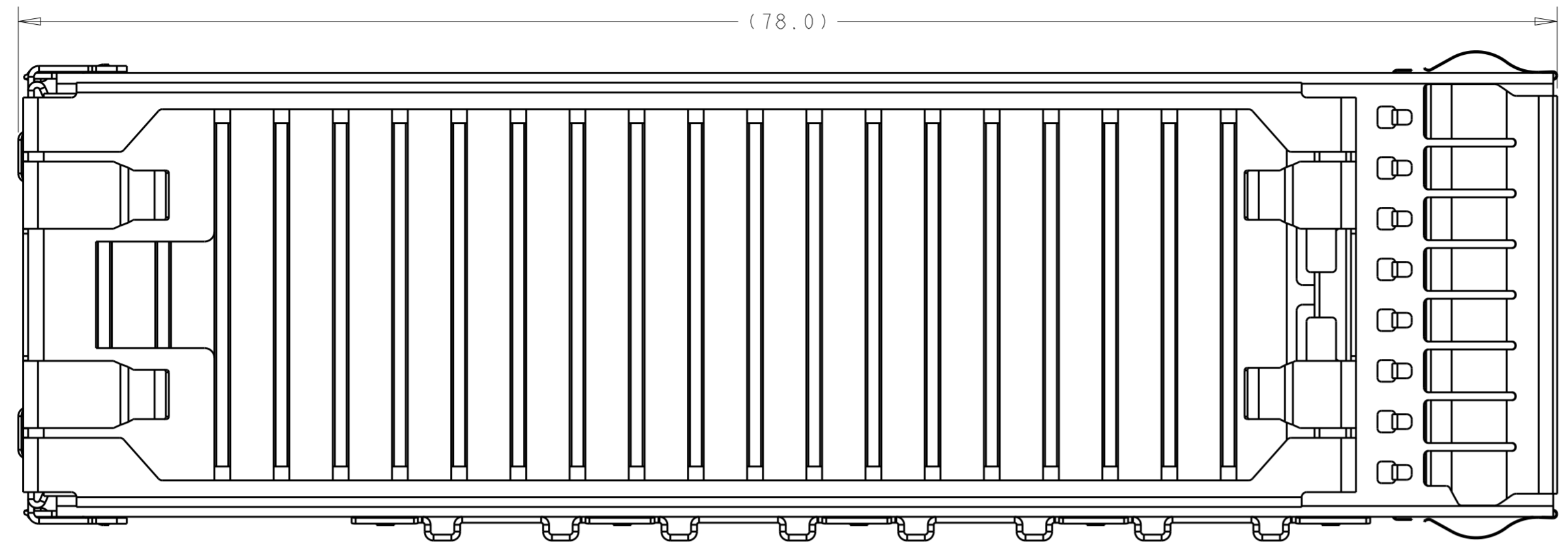
1	-	-	-	2293289-6		
-	1	-	-	2293289-5	CAGE ASSEMBLY WITH HS,CFP4 1X1	4
-	-	1	-	2293289-2		
2	2	2	2	2292789-1	SCREW	3
1	1	1	1	2288228-1	RECEPTACLE COVER ASSEMBLY	2
-	-	-	1	2293289-1	CAGE ASSEMBLY WITH HS,CFP4 1X1	1
-4	-3	-2	-1	PAR NUMBER	DESCRIPTION	ITEM

THIS DRAWING IS A CONTROLLED DOCUMENT.

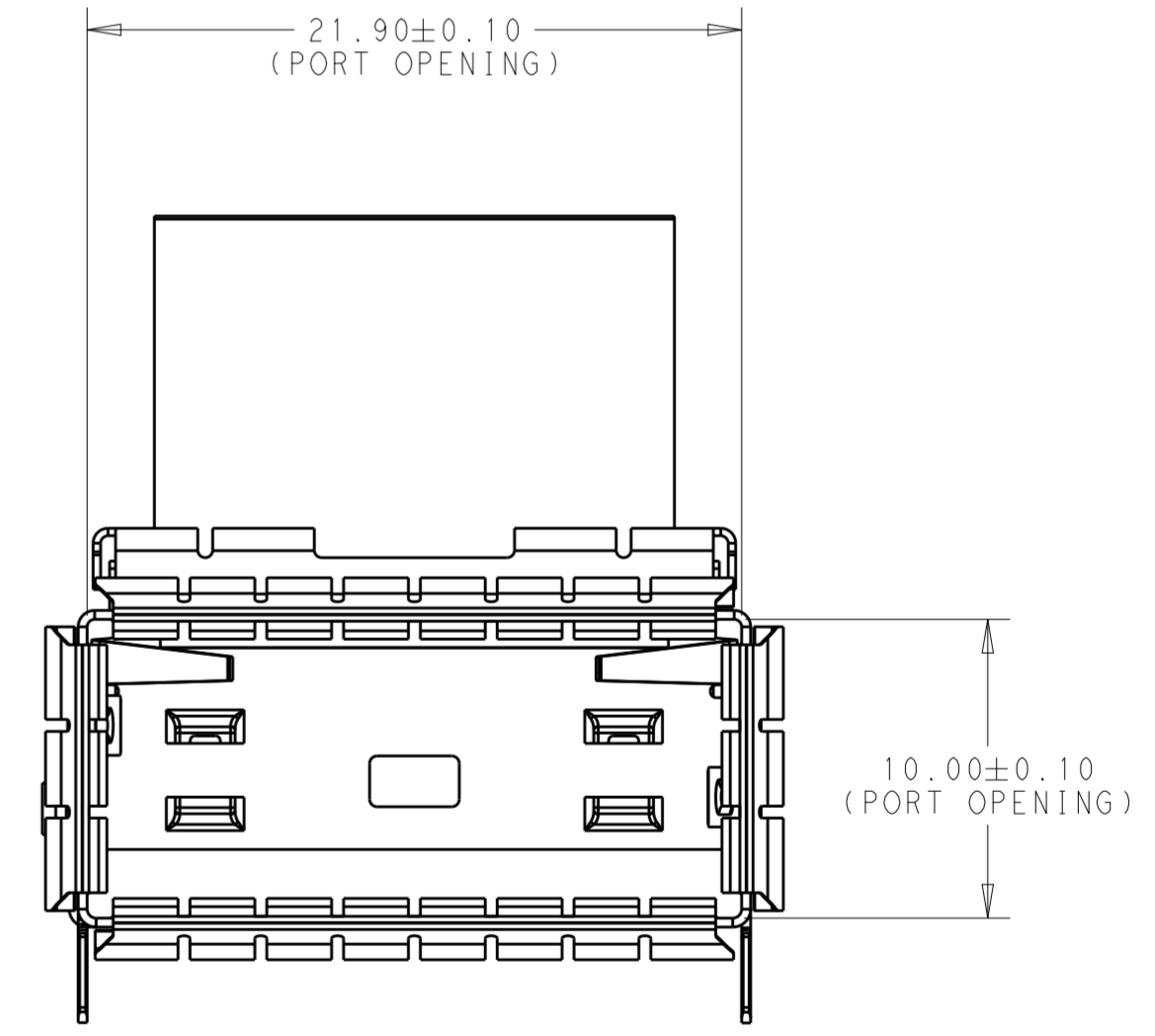
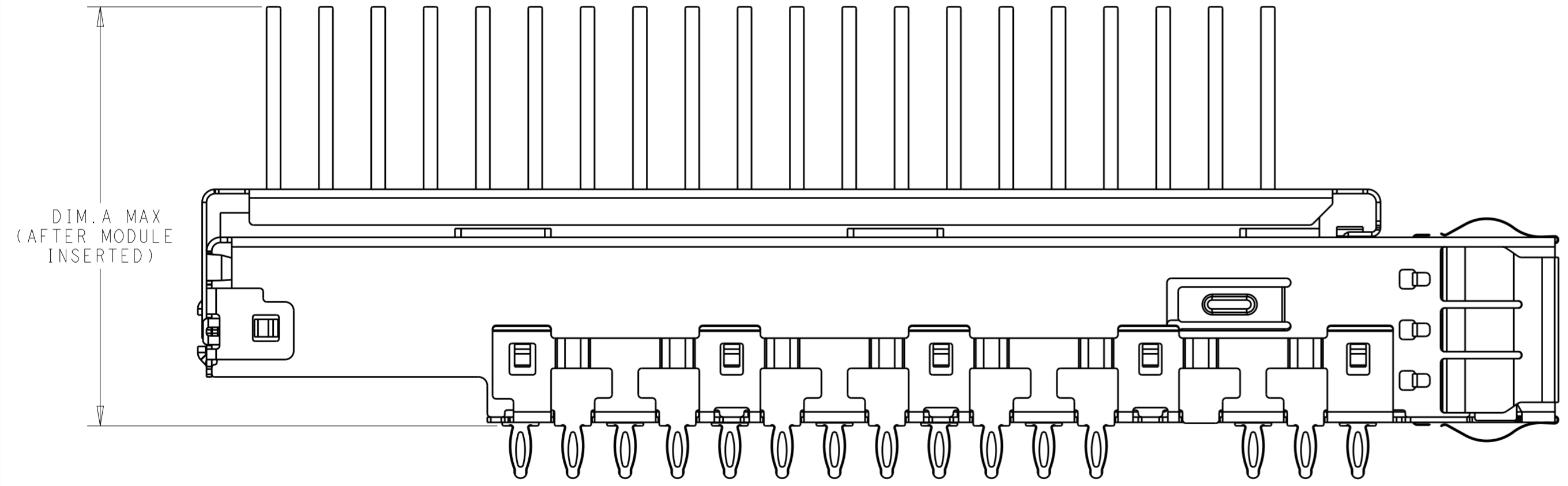
DIMENSIONS: mm	TOLERANCES UNLESS OTHERWISE SPECIFIED: 0 PLC ± 1 PLC ±0.25 2 PLC ±0.13 3 PLC ±0.10 4 PLC ± ANGLES ± FINISH	DWN ANDY.XIF 12JUN2015 CHK SEAN.HAN 12JUN2015 APVD SEAN.HAN 12JUN2015	NAME SEAN.HAN PRODUCT SPEC APPLICATION SPEC WEIGHT	STE TE Connectivity HARDWARE KIT FOR CFP4 1X1 PRESS FIT (CAGE, HS, HS CLIP, COVER, SCREW)	SIZE A2 CAGE CODE - DRAWING NO. C-2288226 RESTRICTED TO
MATERIAL		CUSTOMER DRAWING	SCALE 1:1	SHEET 1 OF 7	REV 8

THIS DRAWING IS UNPUBLISHED. RELEASED FOR PUBLICATION 20
 © COPYRIGHT 20 BY - ALL RIGHTS RESERVED.


REVISIONS				
P	LTR	DESCRIPTION	DATE	APVD
-		SEE SHEET 1	-	-



THIS PRINT IS
PRELIMINARY
 UNQUALIFIED PRODUCT
 CONTACT PRODUCT ENGINEERING
 BEFORE USING THIS PRINT

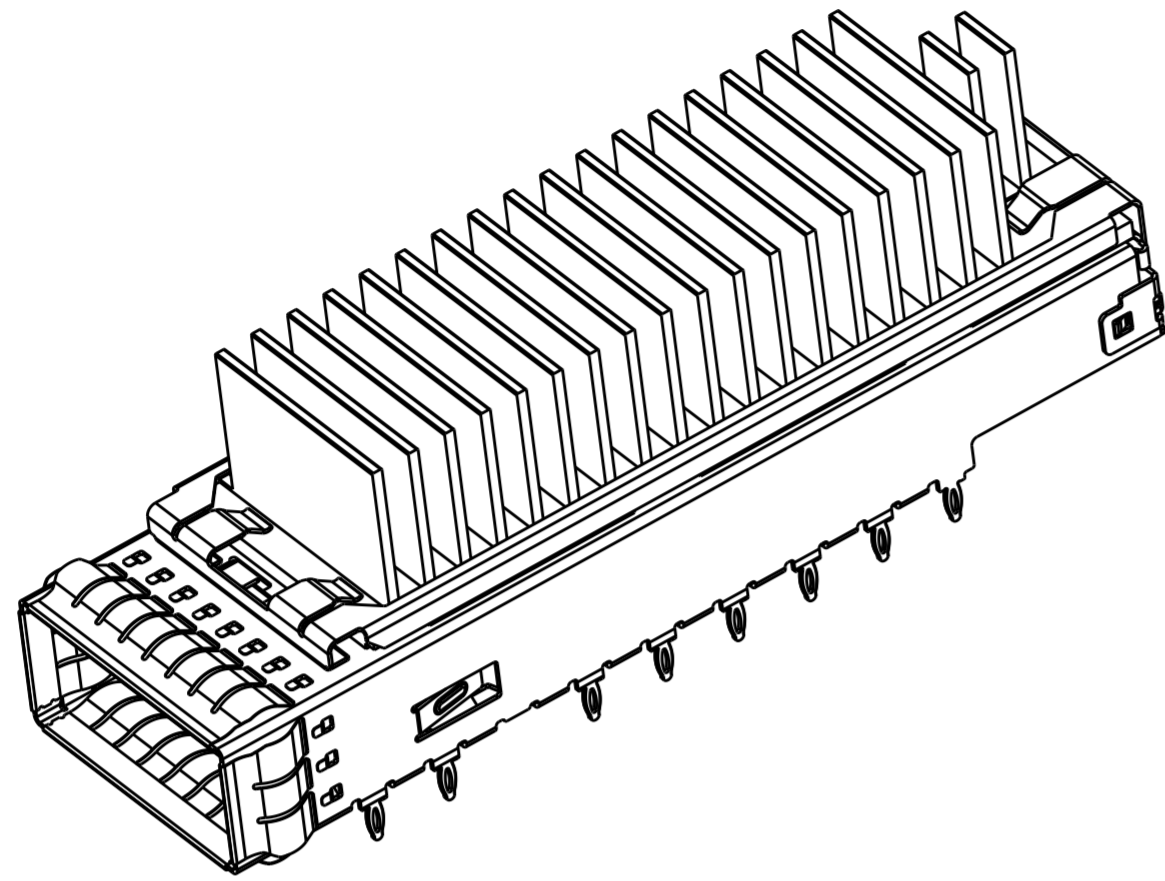


18.5MAX	2293289-6
18.5MAX	2293289-5
25MAX	2293289-2
25MAX	2293289-1
DIM. A	PART NUMBER

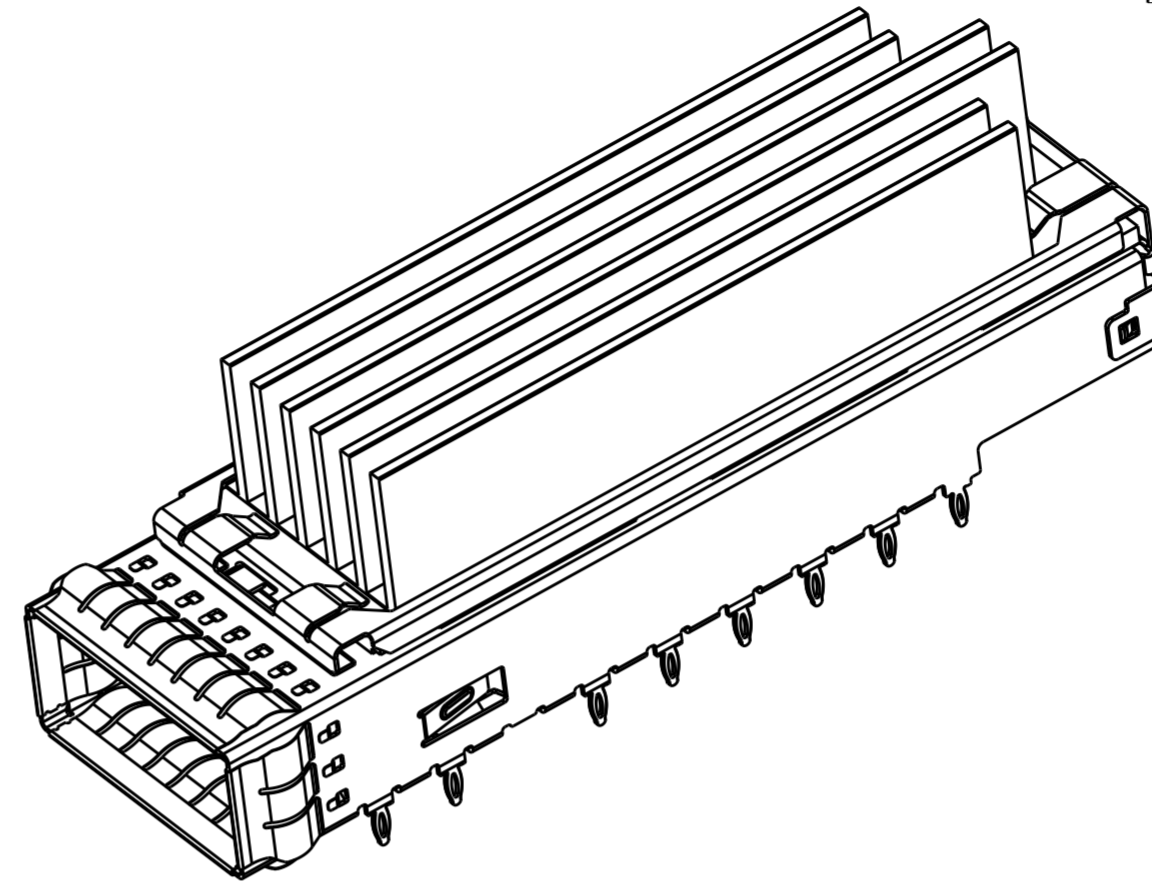
THIS DRAWING IS A CONTROLLED DOCUMENT.		DWN ANDY.XIE 12JUN2015	 TE Connectivity		
DIMENSIONS:		CHK SEAN.HAN 12JUN2015			
TOLERANCES UNLESS OTHERWISE SPECIFIED:		APVD SEAN.HAN 12JUN2015			
mm		PRODUCT SPEC			
0 PLC ± 1 PLC ±0.25 2 PLC ±0.13 3 PLC ±0.10 4 PLC ± ANGLES ± FINISH ±		APPLICATION SPEC	NAME HARD WARE KIT FOR CFP4 1X1 PRESS FIT (CAGE, HS, HS CLIP, COVER, SCREW)		
MATERIAL		WEIGHT	SIZE A2	CAGE CODE -	DRAWING NO. C-2288226
-		-	RESTRICTED TO		-
CUSTOMER DRAWING			SCALE 1:1	SHEET 2 OF 7	REV 8

THIS DRAWING IS UNPUBLISHED. RELEASED FOR PUBLICATION 20
 © COPYRIGHT 20 BY - ALL RIGHTS RESERVED.

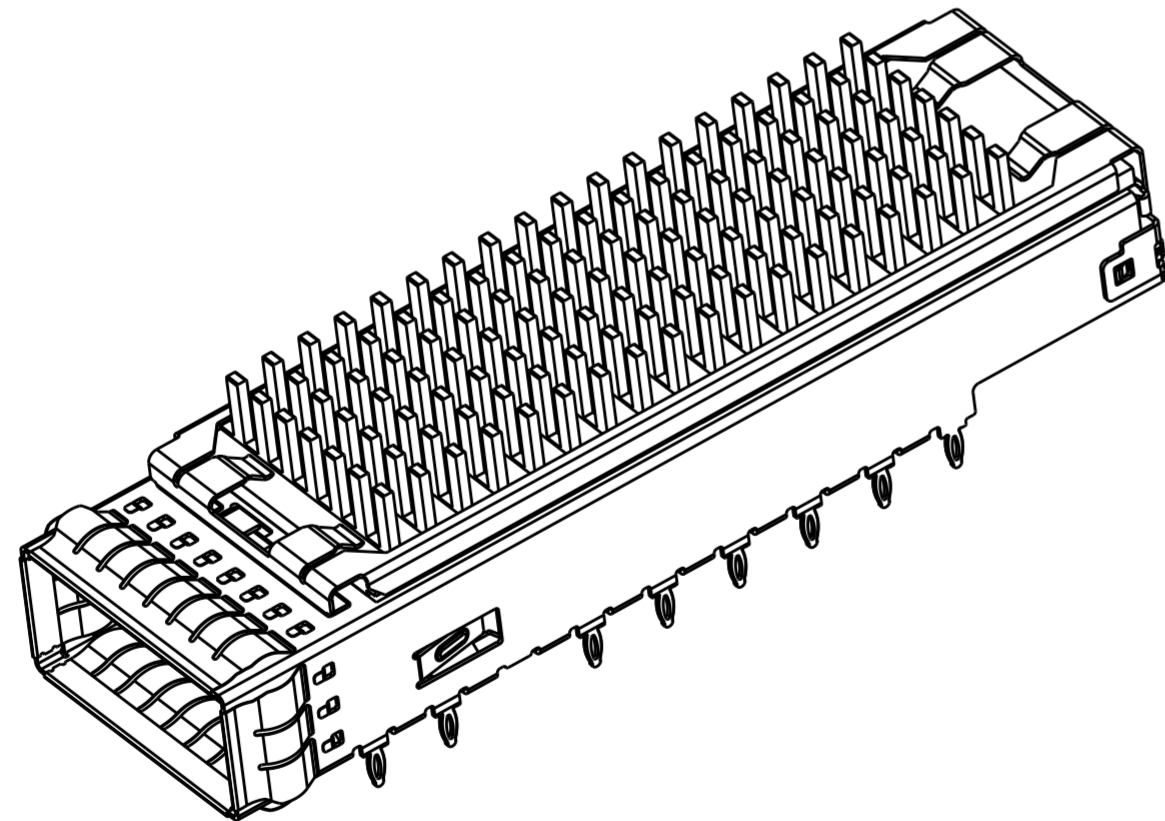
REVISIONS				
P	LTR	DESCRIPTION	DATE	APVD
-		SEE SHEET 1	-	-



2293289-1
 2293289-6
 SCALE 2:1


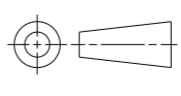


2293289-2
 SCALE 2:1



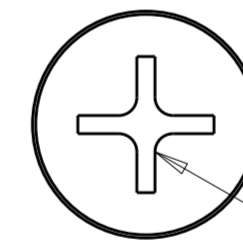
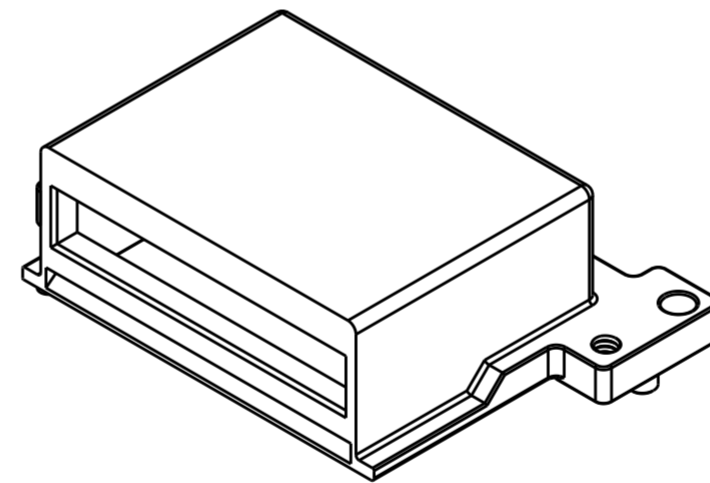
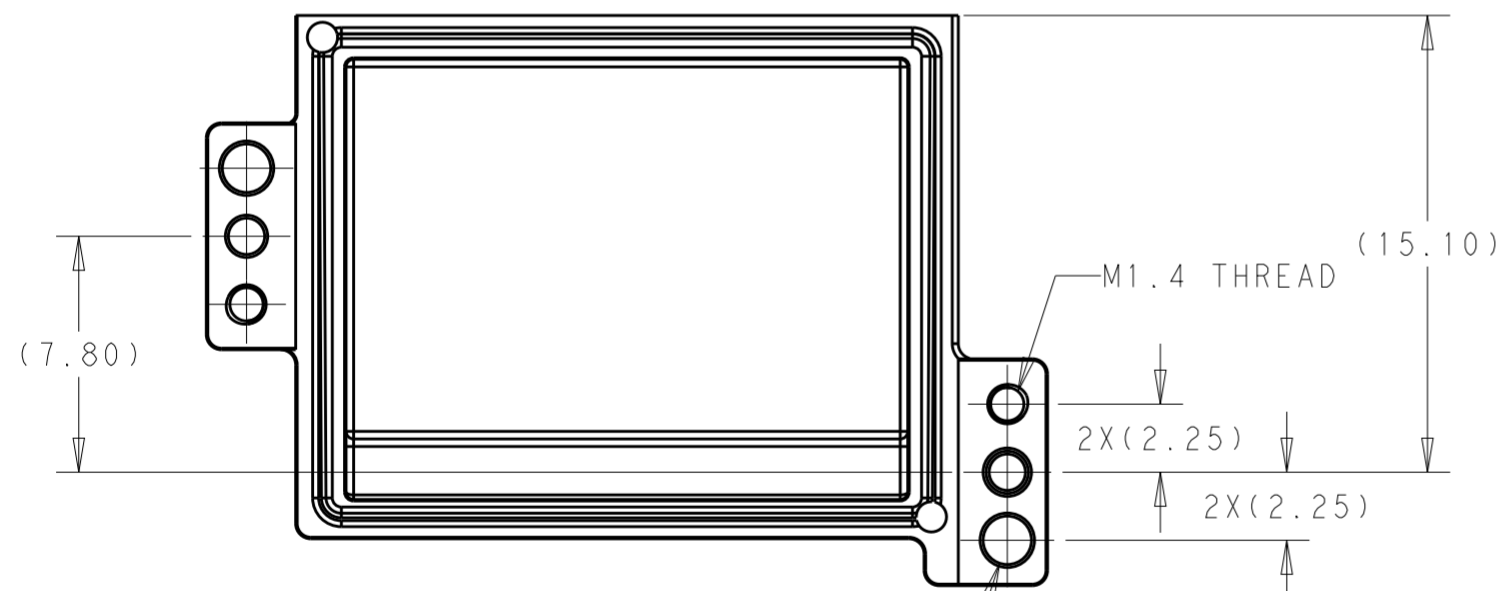
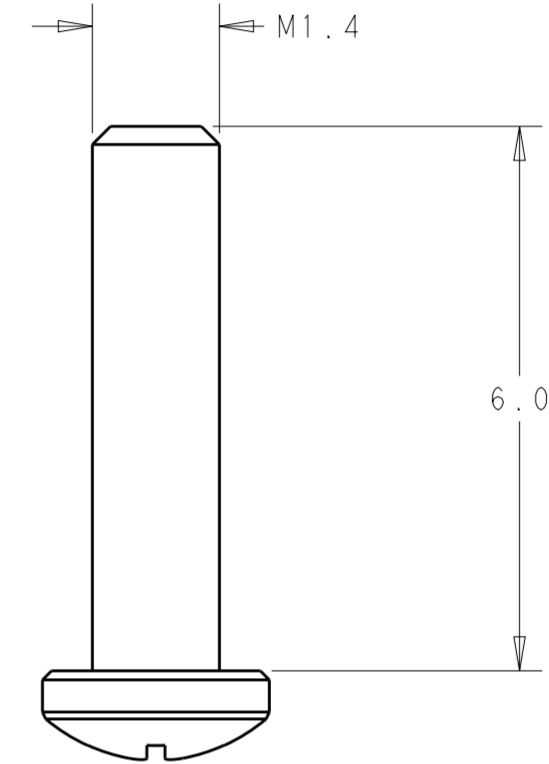
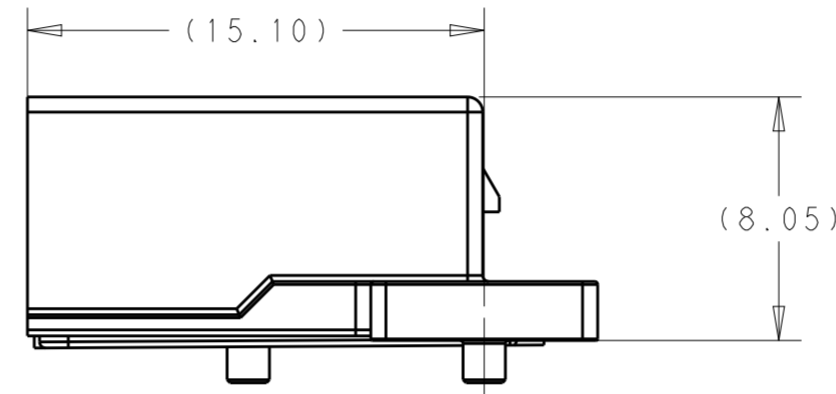
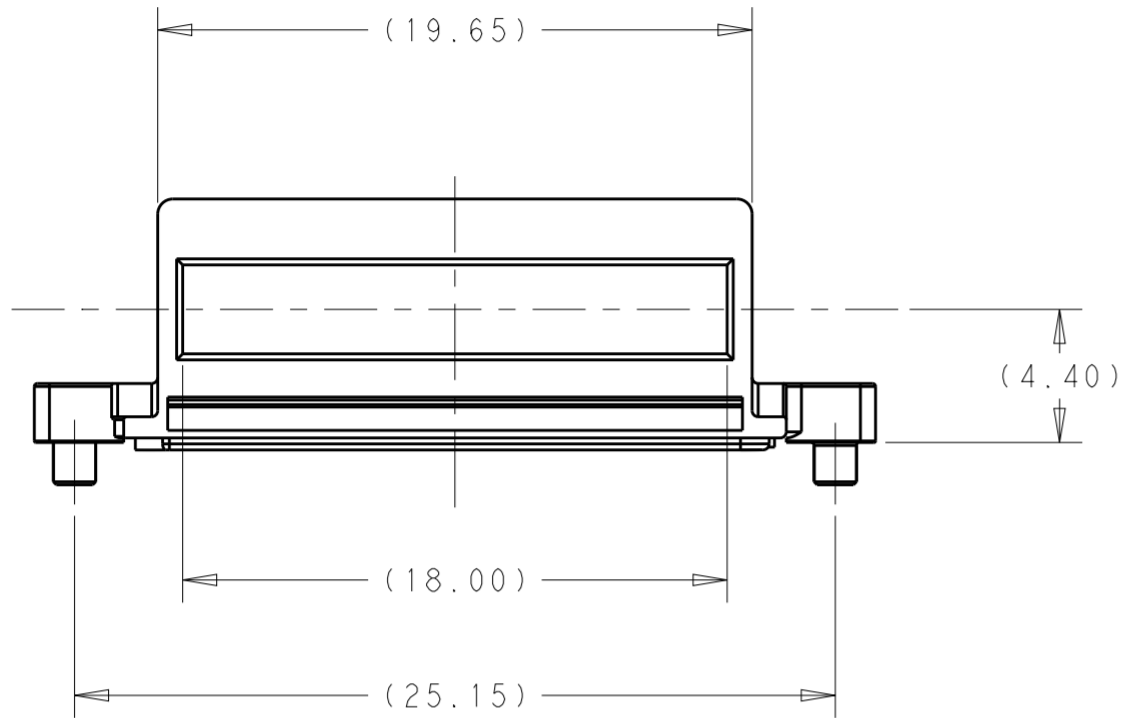
2293289-5
 SCALE 2:1

THIS PRINT IS
PRELIMINARY
 UNQUALIFIED PRODUCT
 CONTACT PRODUCT ENGINEERING
 BEFORE USING THIS PRINT

THIS DRAWING IS A CONTROLLED DOCUMENT.		DWN ANDY.XIE 12JUN2015	 TE Connectivity	
		CHK SEAN.HAN 12JUN2015		
		APVD SEAN.HAN 12JUN2015		
		PRODUCT SPEC		
DIMENSIONS:		NAME		HARD WARE KIT FOR CFP4 1X1 PRESS FIT (CAGE, HS, HS CLIP, COVER, SCREW)
mm		APPLICATION SPEC		
		MATERIAL		RESTRICTED TO
0 PLC ±- 1 PLC ±0.25 2 PLC ±0.13 3 PLC ±0.10 4 PLC ±- ANGLES ±- FINISH		WEIGHT		SCALE 1:1 SHEET 3 OF 7 REV 8
-		CUSTOMER DRAWING		

THIS DRAWING IS UNPUBLISHED. RELEASED FOR PUBLICATION 20
 © COPYRIGHT 20 BY - ALL RIGHTS RESERVED.

REVISIONS				
P	LTR	DESCRIPTION	DATE	APVD
-		SEE SHEET 1	-	-



M1.4 PHILIPS HEAD

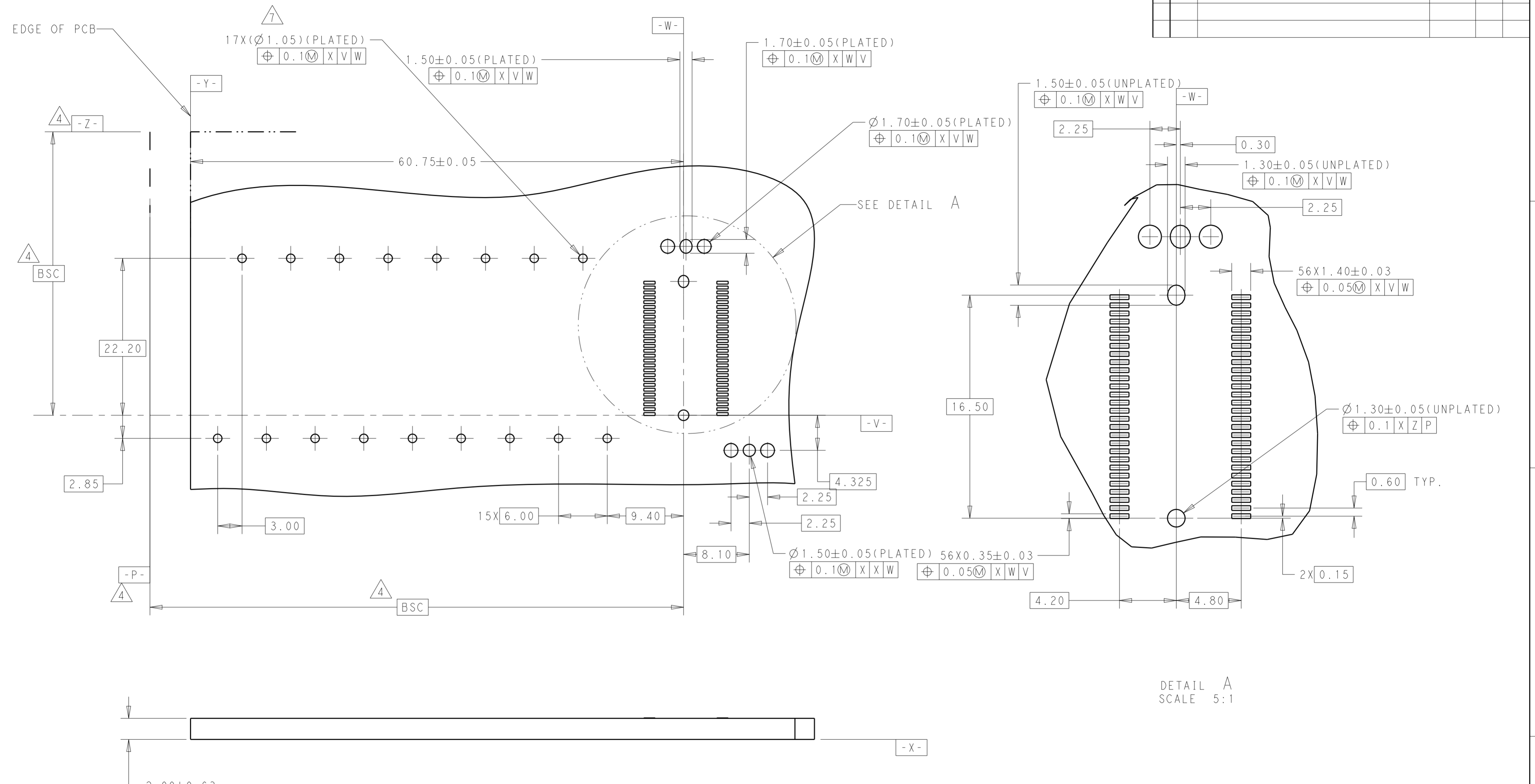
EM120160 ± 0.08

THIS PRINT IS
PRELIMINARY
 UNQUALIFIED PRODUCT
 CONTACT PRODUCT ENGINEERING
 BEFORE USING THIS PRINT

THIS DRAWING IS A CONTROLLED DOCUMENT.		DWN ANDY.XIE 12JUN2015	TE Connectivity	
DIMENSIONS: mm		CHK SEAN.HAN 12JUN2015		
TOLERANCES UNLESS OTHERWISE SPECIFIED:		APVD SEAN.HAN 12JUN2015	NAME HARD WARE KIT FOR CFP4 1X1 PRESS FIT (CAGE, HS, HS CLIP, COVER, SCREW)	
0 PLC ± 1 PLC ±0.25 2 PLC ±0.13 3 PLC ±0.10 4 PLC ± ANGLES ± FINISH ±		PRODUCT SPEC -	SIZE A2	CAGE CODE -
MATERIAL -		APPLICATION SPEC -	DRAWING NO C-2288226	RESTRICTED TO -
		WEIGHT -	SCALE 1:1	SHEET 4 OF 7
		CUSTOMER DRAWING	REV 8	

THIS DRAWING IS UNPUBLISHED. RELEASED FOR PUBLICATION 20
 © COPYRIGHT 20 BY - ALL RIGHTS RESERVED.

REVISIONS				
P	LTR	DESCRIPTION	DATE	APVD
-	-	SEE SHEET 1	-	-

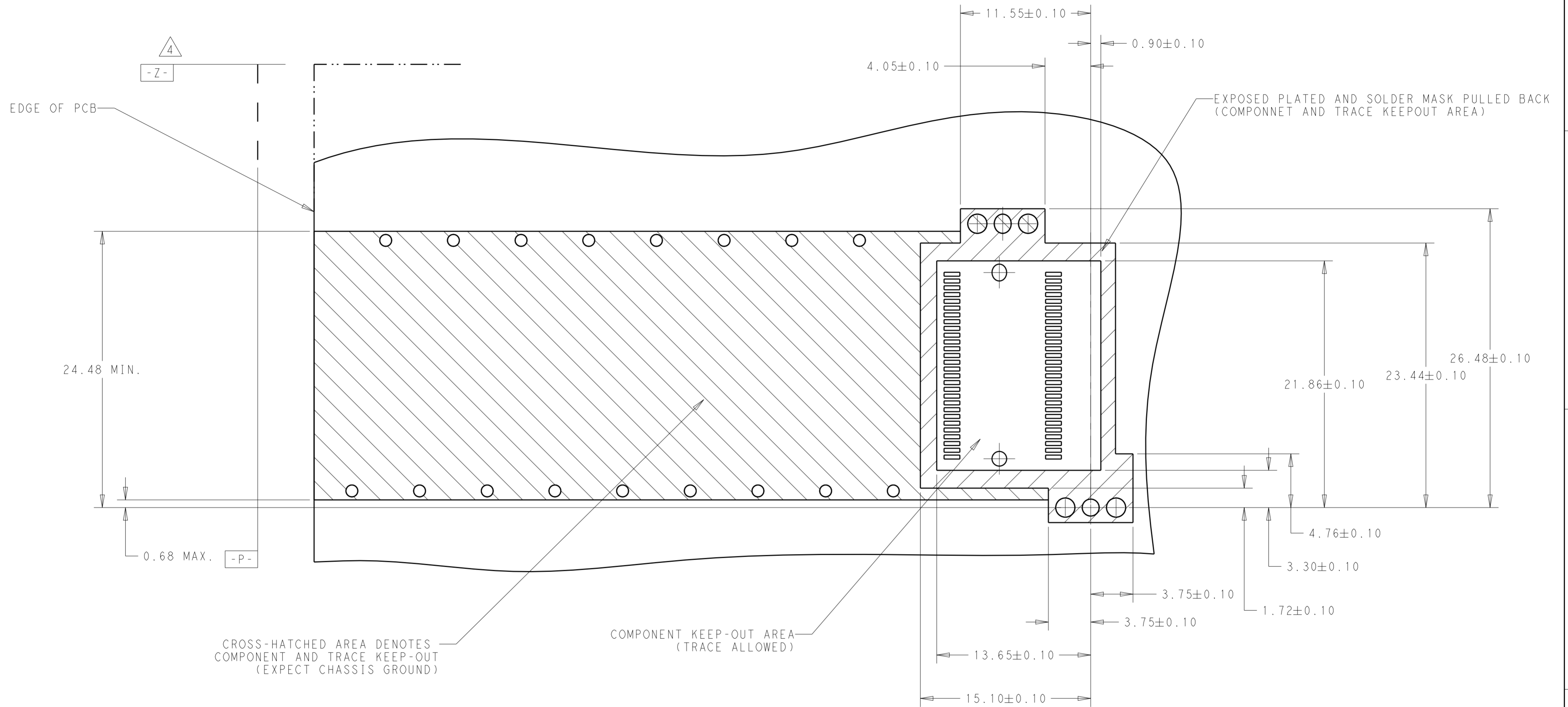


THIS PRINT IS
PRELIMINARY
 UNQUALIFIED PRODUCT
 CONTACT PRODUCT ENGINEERING
 BEFORE USING THIS PRINT

THIS DRAWING IS A CONTROLLED DOCUMENT.		DWN ANDY.XIE 12JUN2015	TE Connectivity															
DIMENSIONS: mm		CHK SEAN.HAN 12JUN2015																
TOLERANCES UNLESS OTHERWISE SPECIFIED:		APVD SEAN.HAN 12JUN2015	NAME HARD WARE KIT FOR CFP4 1X1 PRESS FIT (CAGE, HS, HS CLIP, COVER, SCREW)															
<table border="1"> <tr> <td>0 PLC</td> <td>±</td> </tr> <tr> <td>1 PLC</td> <td>±0.25</td> </tr> <tr> <td>2 PLC</td> <td>±0.13</td> </tr> <tr> <td>3 PLC</td> <td>±0.10</td> </tr> <tr> <td>4 PLC</td> <td>±</td> </tr> <tr> <td>ANGLES</td> <td>±</td> </tr> <tr> <td>FINISH</td> <td>±</td> </tr> </table>		0 PLC	±	1 PLC	±0.25	2 PLC	±0.13	3 PLC	±0.10	4 PLC	±	ANGLES	±	FINISH	±	PRODUCT SPEC -	SIZE A2	CAGE CODE -
0 PLC	±																	
1 PLC	±0.25																	
2 PLC	±0.13																	
3 PLC	±0.10																	
4 PLC	±																	
ANGLES	±																	
FINISH	±																	
MATERIAL -		APPLICATION SPEC -	DRAWING NO. C-2288226	RESTRICTED TO -														
CUSTOMER DRAWING		WEIGHT -	SCALE 1:1	SHEET 5 OF 7														
				REV 8														

THIS DRAWING IS UNPUBLISHED. RELEASED FOR PUBLICATION 20
 © COPYRIGHT 20 BY - ALL RIGHTS RESERVED.

REVISIONS				
P	LTR	DESCRIPTION	DATE	APVD
-	-	SEE SHEET 1	-	-



CROSS-HATCHED AREA DENOTES COMPONENT AND TRACE KEEP-OUT (EXPECT CHASSIS GROUND)

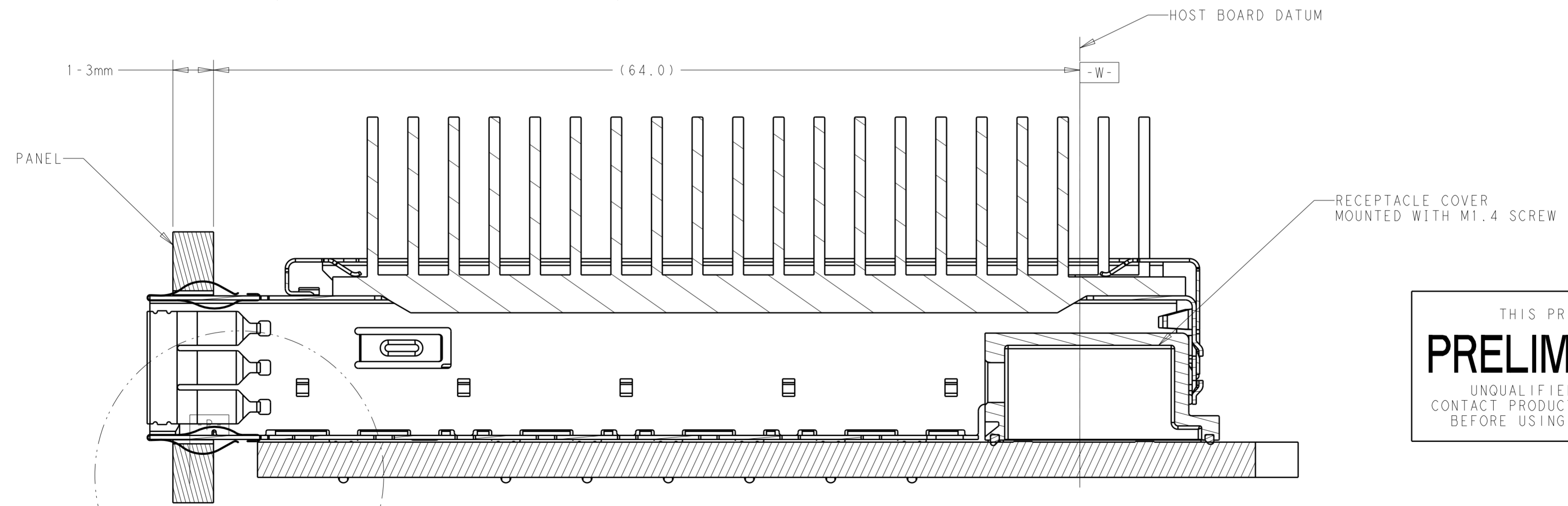
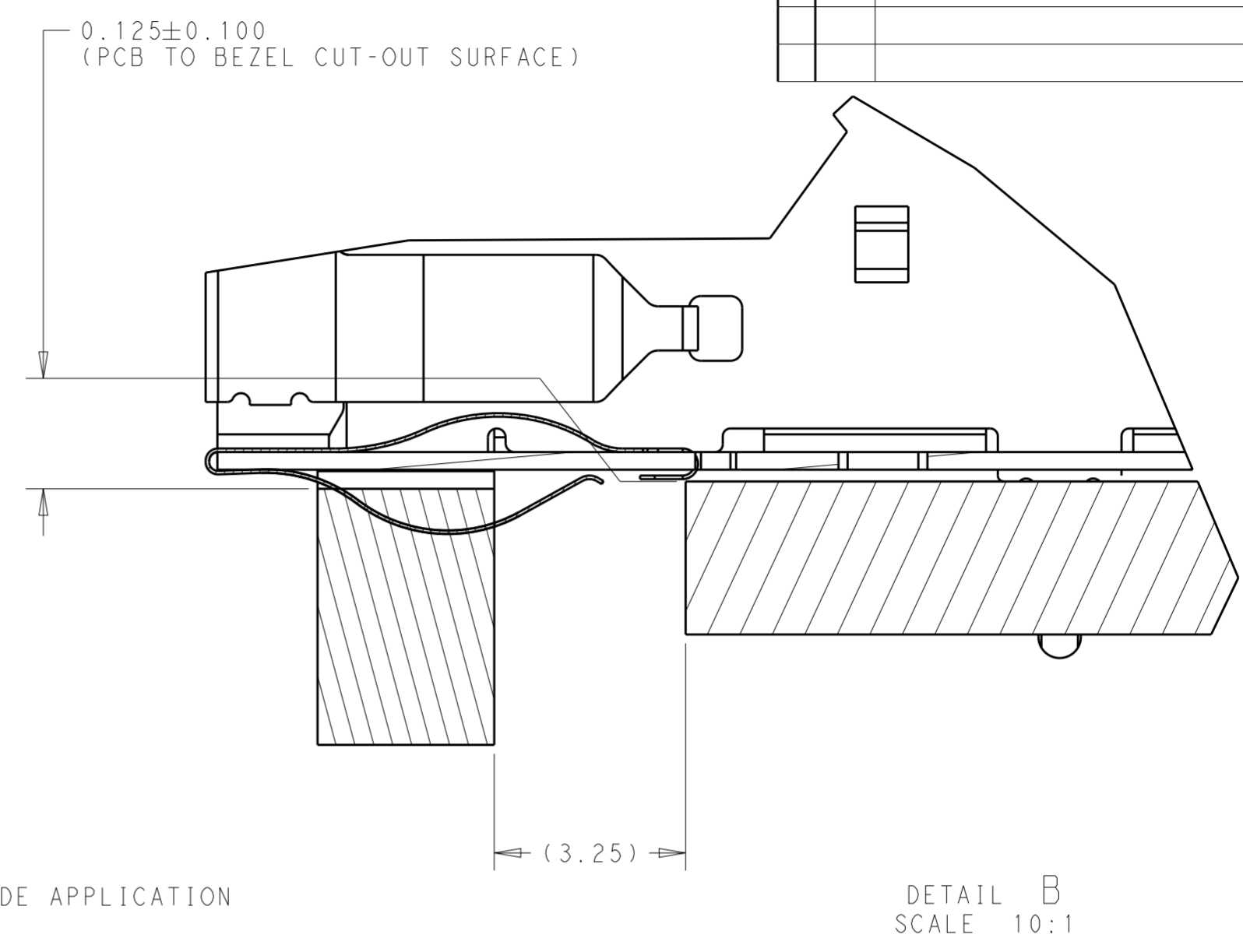
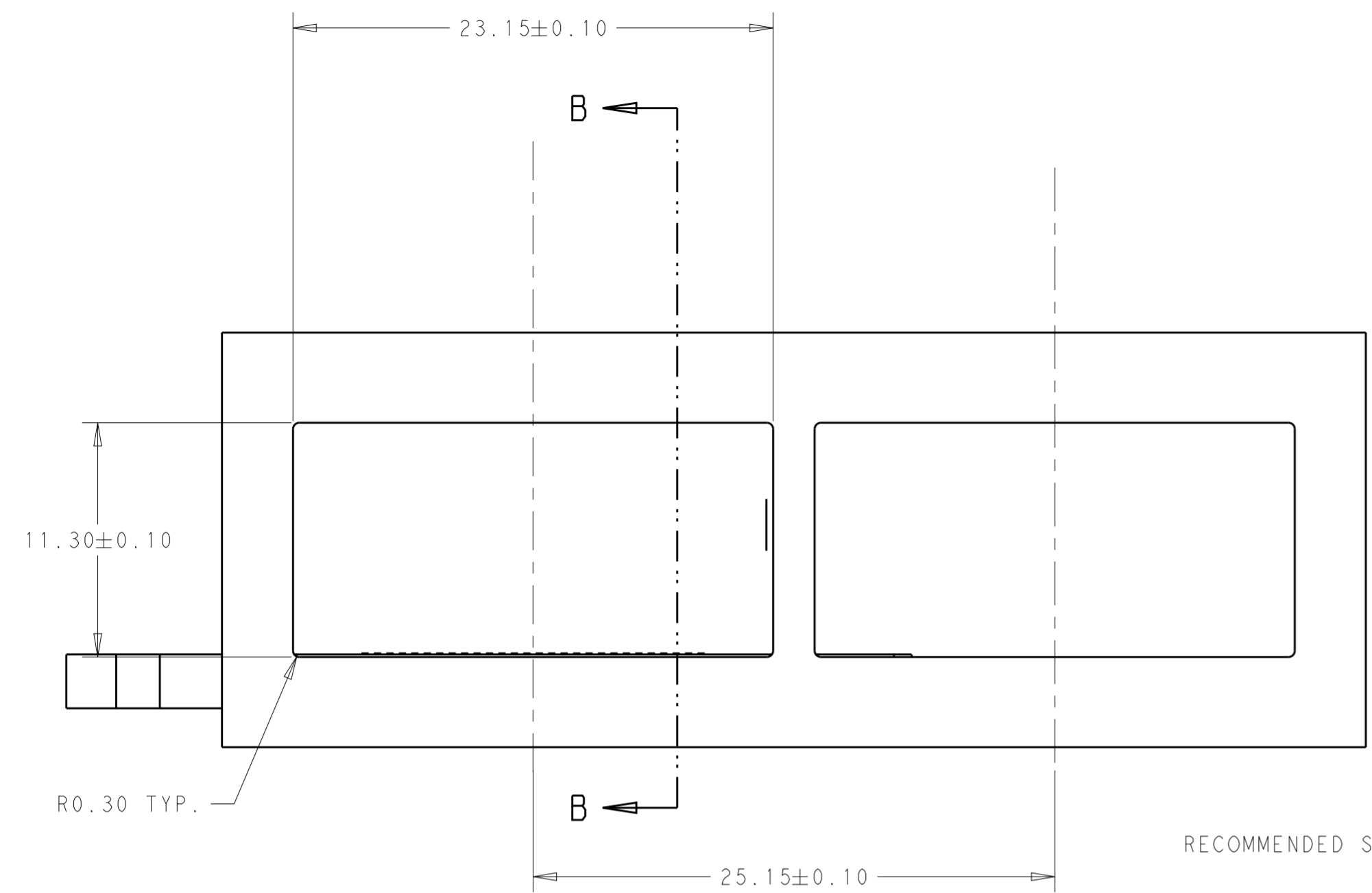
COMPONENT KEEP-OUT AREA (TRACE ALLOWED)

THIS PRINT IS
PRELIMINARY
 UNQUALIFIED PRODUCT
 CONTACT PRODUCT ENGINEERING
 BEFORE USING THIS PRINT

THIS DRAWING IS A CONTROLLED DOCUMENT.		DWN ANDY.XIE 12JUN2015	TE Connectivity	
DIMENSIONS: mm		CHK SEAN.HAN 12JUN2015		
TOLERANCES UNLESS OTHERWISE SPECIFIED:		APVD SEAN.HAN 12JUN2015	NAME HARD WARE KIT FOR CFP4 1X1 PRESS FIT (CAGE, HS, HS CLIP, COVER, SCREW)	
0 PLC ± 1 PLC ±0.25 2 PLC ±0.13 3 PLC ±0.10 4 PLC ± ANGLES ± FINISH ±		PRODUCT SPEC -	SIZE A2	CAGE CODE -
MATERIAL -		APPLICATION SPEC -	DRAWING NO C-2288226	RESTRICTED TO -
-		WEIGHT -	SCALE 1:1	SHEET 6 OF 7
-		CUSTOMER DRAWING	REV 8	

THIS DRAWING IS UNPUBLISHED. RELEASED FOR PUBLICATION 20
 © COPYRIGHT 20 BY - ALL RIGHTS RESERVED.

REVISIONS				
P	LTR	DESCRIPTION	DATE	APVD
-		SEE SHEET 1	-	-



THIS PRINT IS
PRELIMINARY
 UNQUALIFIED PRODUCT
 CONTACT PRODUCT ENGINEERING
 BEFORE USING THIS PRINT

SECTION B-B
 SCALE 4:1

SEE DETAIL B

THIS DRAWING IS A CONTROLLED DOCUMENT.		DWN ANDY.XIE 12JUN2015	STE TE Connectivity			
		CHK SEAN.HAN 12JUN2015				
		APVD SEAN.HAN 12JUN2015	NAME HARD WARE KIT FOR CFP4 1X1 PRESS FIT (CAGE, HS, HS CLIP, COVER, SCREW)			
DIMENSIONS: mm		PRODUCT SPEC	SIZE A2	CAGE CODE -	DRAWING NO. C-2288226	RESTRICTED TO -
TOLERANCES UNLESS OTHERWISE SPECIFIED:		APPLICATION SPEC	SCALE 1:1		SHEET 7 OF 7	REV 8
0 PLC ±		WEIGHT -	CUSTOMER DRAWING			
1 PLC ±0.25						
2 PLC ±0.13						
3 PLC ±0.10						
4 PLC ±						
ANGLES ±						
FINISH						