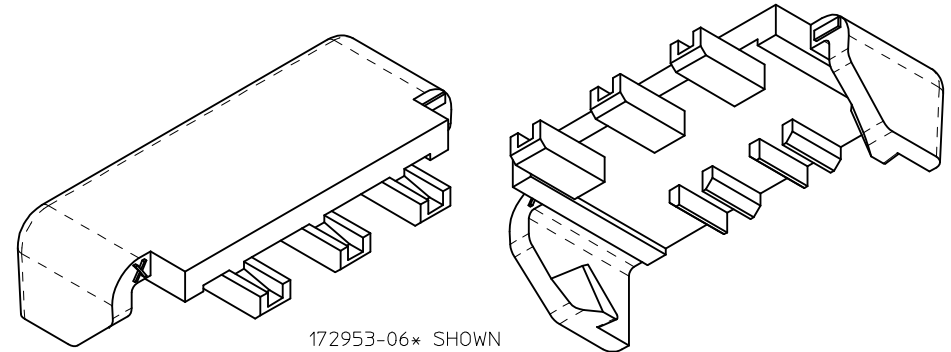
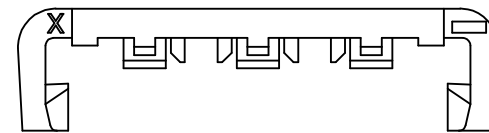
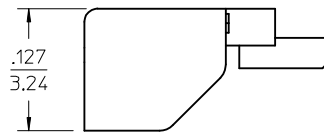
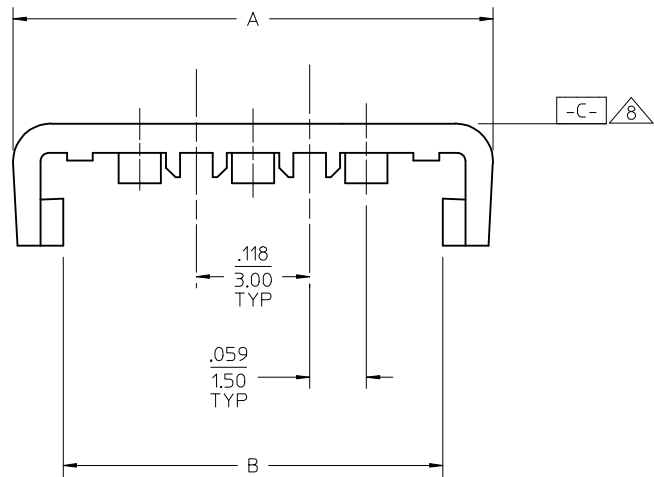
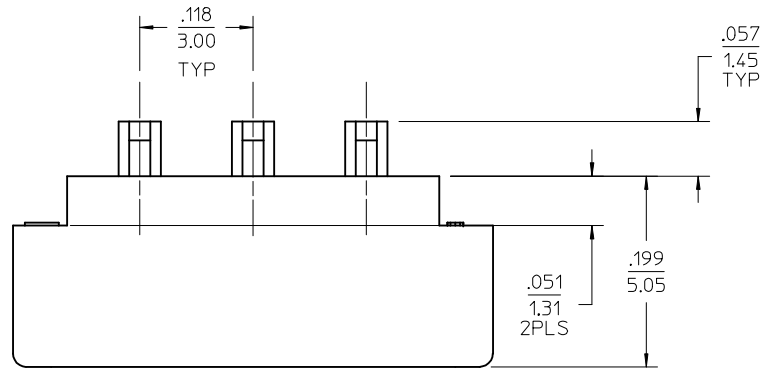


NOTES:

- 1) MATERIAL: UNFILLED NYLON, RATED UL94V-0 LOW HALOGEN, COLOR: NATURAL
- 2) FINISH: NONE
- 3) PRODUCT SPECIFICATION: PS-43045
- 4) PACKAGING SPECIFICATION: BULK PER 1729530001-PK
- 5) FOR USE WITH: 172952-XX01 RECEPTACLE HOUSINGS. NEVER USE WITHOUT TPA.
- 6) THIS PART CONFORMS TO CLASS B REQUIREMENTS OF COSMETIC SPEC PS-45499-002
- 7) TEXT ON PART IS FOR REFERENCE ONLY. TEXT AND TEXT LOCATION MAY VARY DEPENDING ON PART NUMBER AND/OR TOOL.
- 8) BOW .015 / 0.38 MAX PER 1.00 / 25.4 ON SURFACE C
- 9) CIRCUIT SIZE INDICATES THE SIZE OF THE MATCHING DUAL-ROW RECEPTACLE HOUSING. TWO TPA STRAPS ARE REQUIRED FOR EACH RECEPTACLE HOUSING.
- 10) SEE SD-172952-001 FOR INSTALLATION INSTRUCTIONS



172953-06* SHOWN

24	172953-2401	1563 / 39.70	1459 / 37.05
22	172953-2201	1445 / 36.70	1341 / 34.05
20	172953-2001	1327 / 33.70	1222 / 31.05
18	172953-1801	1209 / 30.70	1104 / 28.05
16	172953-1601	1091 / 27.70	.986 / 25.05
14	172953-1401	.973 / 24.70	.868 / 22.05
12	172953-1201	.854 / 21.70	.750 / 19.05
10	172953-1001	.736 / 18.70	.632 / 16.05
8	172953-0801	.618 / 15.70	.514 / 13.05
6	172953-0601	.500 / 12.70	.396 / 10.05
4	172953-0401	.382 / 9.70	.278 / 7.05

CKT SZ.	9	PART NUMBER	DIM ±.020 A ±.051	DIM ±.015 B ±.038
---------	---	-------------	----------------------	----------------------

REVISE AND RELEASE EC NO: UCP2017-0681 DRAWN: COLE 2016/09/09 CHKD: SSOUSEK 2016/09/29 APPR: BP1 SZCZOR 2016/10/03	DESCRIPTION REV	QUALITY SYMBOLS	GENERAL TOLERANCES (UNLESS SPECIFIED)	DIMENSION STYLE IN/MM	SCALE 10:1	DESIGN UNITS METRIC	THIRD ANGLE PROJECTION
		▽=0	4 PLACES ± --- ± ---	DRAWN BY DATE BANDERSON 2015/01/13	TITLE MICRO-FIT TPA STRAP FOR DUAL-ROW RCPT HSGS		
		▽=0	3 PLACES ± --- ±.010	CHECKED BY DATE SSOUSEK 2015/01/13			
		▽=0	2 PLACES ± 0.25 ±.015	APPROVED BY DATE BP1 SZCZOR 2016/03/24			
		1 PLACE ± 0.38 ± ---	MATERIAL NO.	DOCUMENT NO.	SHEET NO.		
		0 PLACE ± --- ± ---	ANGULAR ±1/2°	SEE CHART	SD-172953-001	1 OF 1	
DRAFT WHERE APPLICABLE MUST REMAIN WITHIN DIMENSIONS			THIS DRAWING CONTAINS INFORMATION THAT IS PROPRIETARY TO MOLEX INCORPORATED AND SHOULD NOT BE USED WITHOUT WRITTEN PERMISSION				