

2014

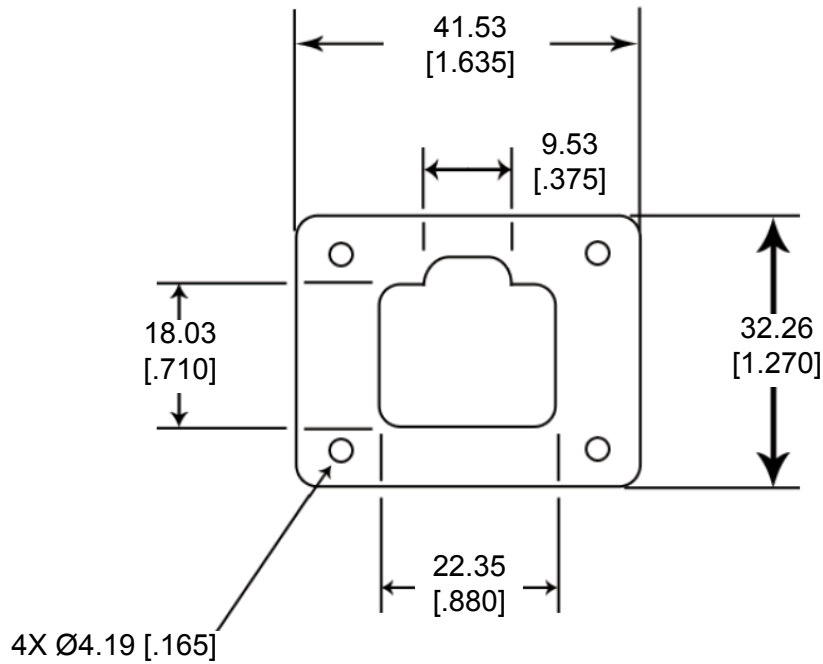
RELEASED FOR PUBLICATION

THIS DRAWING IS UNPUBLISHED.

ALL RIGHTS RESERVED.

© COPYRIGHT 2014 BY TE CONNECTIVITY

REVISIONS					
P	LTR	DESCRIPTION	DATE	DWN	APVD
	A	NEW RELEASE PER ECO-14-008761	06-10-14	DM	DM



- 4. THICKNESS: 3.18 [.125]
- 3. PART NO. DT4P-L012-GKT
- 2. TEMPERATURE RATING: -57°C TO +107°C [-70°F TO +225°F]
- 1. THIS PART IS USED ON DT04-4P-L012

DIMENSIONS: MM [INCH]	DWN D. MEYER 10JUN2014	MATERIAL CLD CELL SPONGE	FINISH BLACK		
	CHK R. MESSENGER 10JUN2014				
TOLERANCES UNLESS OTHERWISE SPECIFIED:	APVD D. MEYER 10JUN2014			NAME GASKET, RECEPTACLE, 4PIN DT SERIES	
0 PLC ±	PRODUCT SPEC	SIZE A 4	CAGE CODE 4AFU8	DRAWING NO C-DT4P-L012-GKT	RESTRICTED TO -
1 PLC ±	APPLICATION SPEC	WEIGHT .91 g		Customer Drawing	
2 PLC ± 0.76 [.030]		SCALE NONE	SHEET 1 OF 1	REV A	
3 PLC ±					
4 PLC ±					
ANGLES ± 5°					

