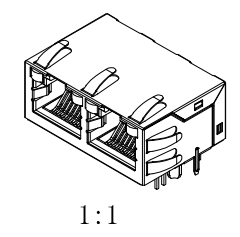
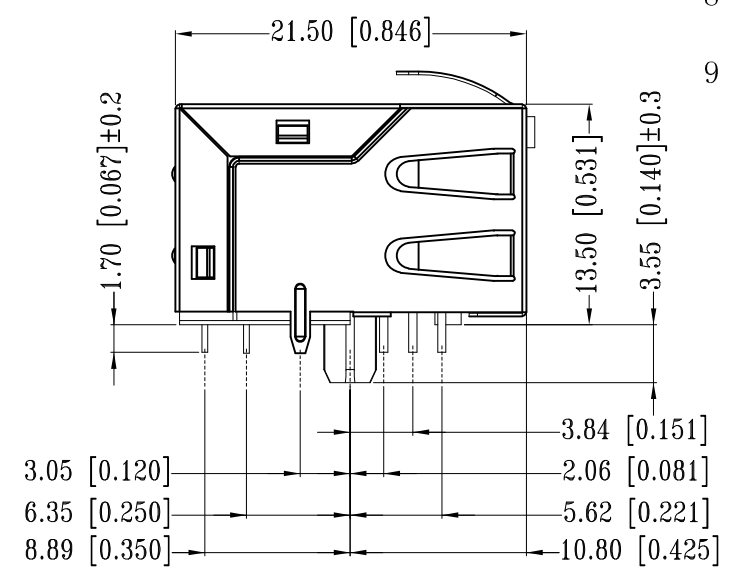
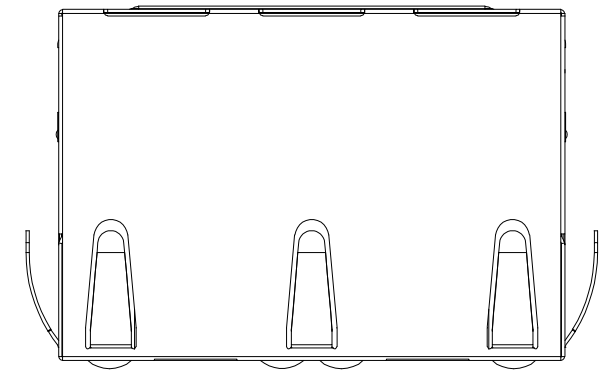
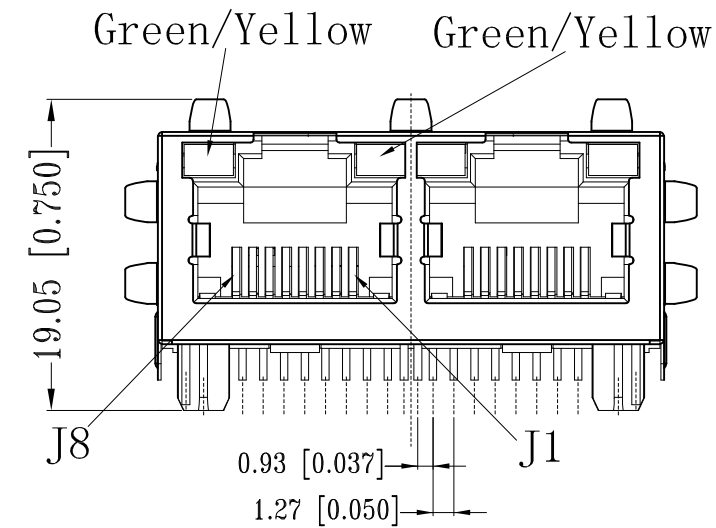
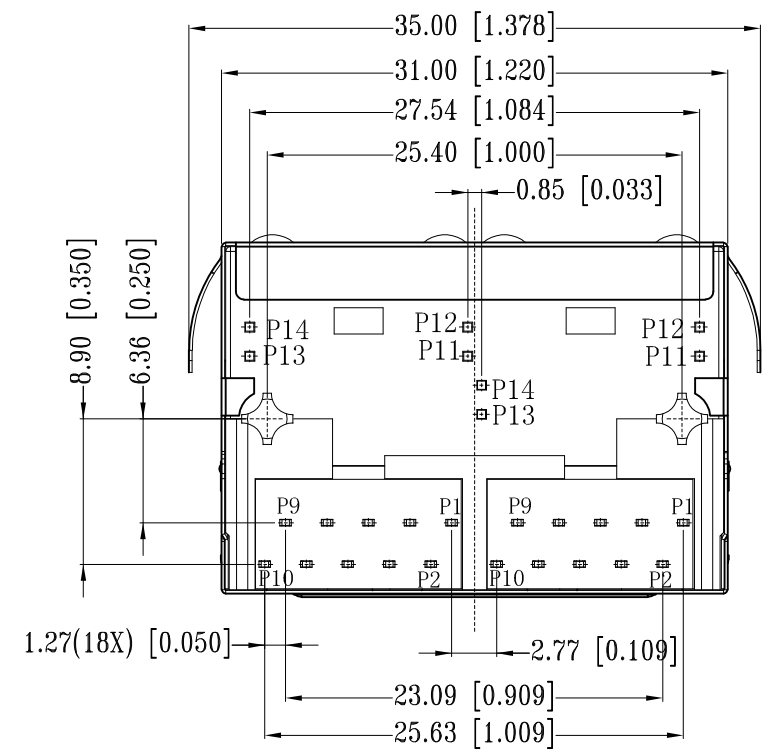


REVISIONS				
P	LTR	DESCRIPTION	DATE	APVD
B1		REV. PER PCN E-16-017540	20DEC2016	GCM/MSZ



- 1 CONNECTOR MATERIAL:  
 HOUSING: LCP BLACK UL94 V-0  
 INSERT: LCP BLACK UL94 V-0  
 SHIELD: BRASS  
 SHIELD PLATING: NICKEL  
 CONTACT: COPPER ALLOY  
 CONTACT PLATING: SELECTIVE GOLD, MIN. 0.76µm (30µinch) IN CONTACT AREA  
 OVER MIN. 1.27µm (50µinch) NICKEL  
 SOLDER PIN PLATING: 3.05µm (120µinch) TIN OVER 1.02µm (40µinch) NICKEL OVER ALL  
 SHIELDING PIN PLATING: NICKEL
- 2 PIN NOT ELECTRICALLY CONNECTED MAYBE OMITTED SEE ELECTRICAL CIRCUIT DIAGRAM FOR OMITTED PINS
- 3 RJ45 CAVITIES CONFORM TO FCC RULES AND REGULATION PART 68
- 4 THE PART IS RECOMMENDED FOR REFLOW SOLDERING PROCESS PEAK  
 SOLDERING: TEMPERATURE MAX. +260° C, MAX. 10s
- 5 OPERATING TEMPERATURE: T = -40° C TO +85° C
- 6 STORAGE TEMPERATURE: T = -40° C TO +85° C
- 7 UNLESS OTHERWISE SPECIFIED, SEE TABLE FOR ALL DIMENSIONS TOLERANCES
- 8 JACK CONFIGURATION: 1 x 2  
 TAB DIRECTION: UP
- 9 PACKAGING: REEL (T+R) ACCORDING TO PACKAGING SPECIFICATION 107-18116

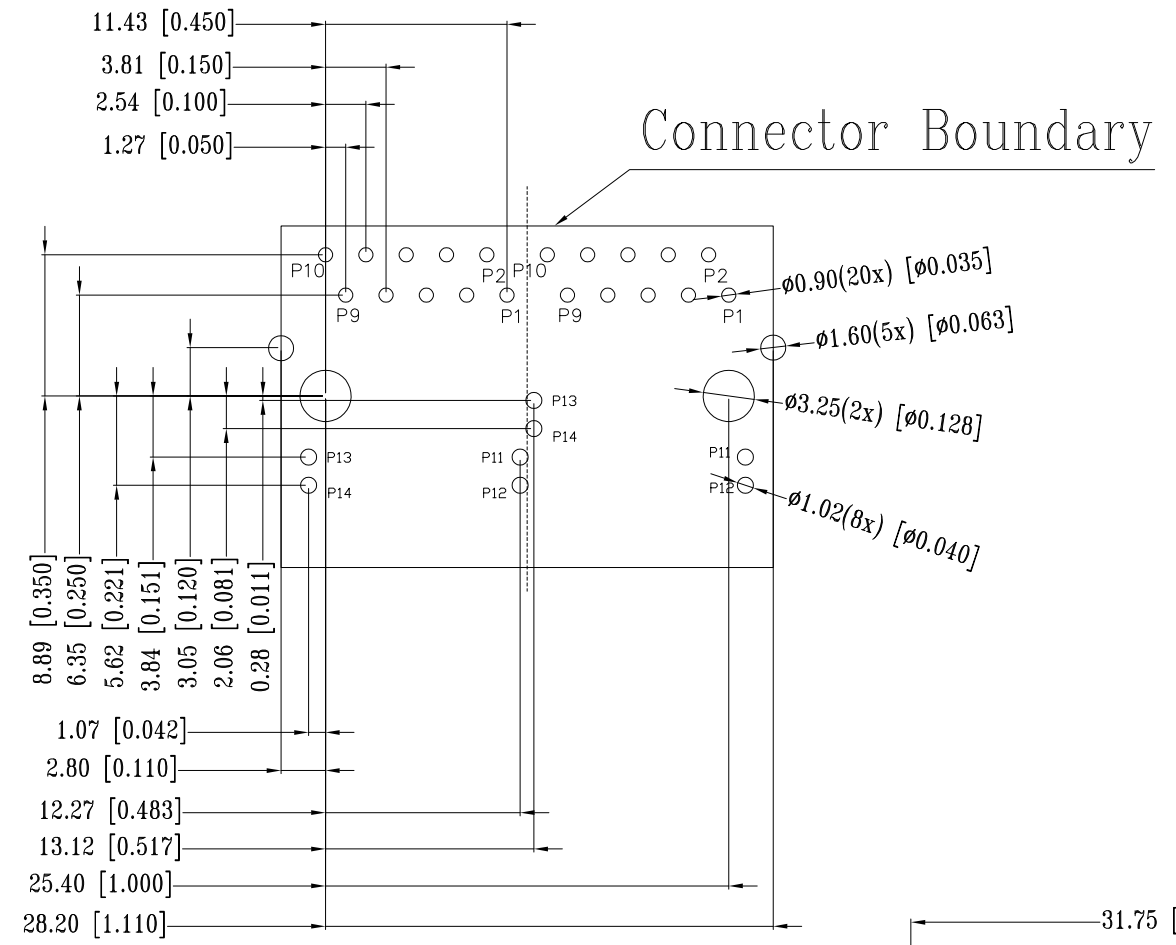
TABLE OF TOLERANCE (mm)	
RANGE	TOLERANCE
0-10	±0.15
>10-40	±0.25
>40-70	±0.30
>70	±0.40

THIS DRAWING IS A CONTROLLED DOCUMENT.		DWN GANESH C M 12SEP2016	TE Connectivity	
DIMENSIONS: mm [INCHES]		CHK FRANZ MUELLER 12SEP2016		
TOLERANCES UNLESS OTHERWISE SPECIFIED:		APVD MARTIN SZELAG 12SEP2016	NAME RJ45 JACK INT.MAG. 1Gb LED 1x2	
0 PLC ± - 1 PLC ± - 2 PLC ± - 3 PLC ± - 4 PLC ± - ANGLES ± -		PRODUCT SPEC 108-94552	-	
MATERIAL		APPLICATION SPEC 114-94447	SIZE A3	CAGE CODE 00779
FINISH		WEIGHT	DRAWING NO C-2301996-7	RESTRICTED TO -
		CUSTOMER DRAWING		SCALE 3:1
				SHEET 1 OF 3
				REV B1

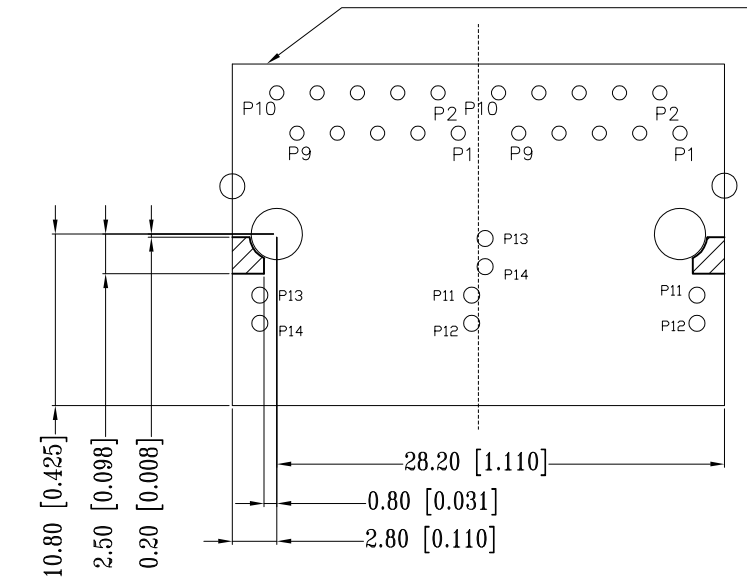
THIS DRAWING IS UNPUBLISHED. RELEASED FOR PUBLICATION - .2016.  
 © COPYRIGHT 2013 By TE CONNECTIVITY ALL RIGHTS RESERVED.

REVISIONS				
P	LTR	DESCRIPTION	DATE	APVD
-	-	SEE SHEET 1	-	-

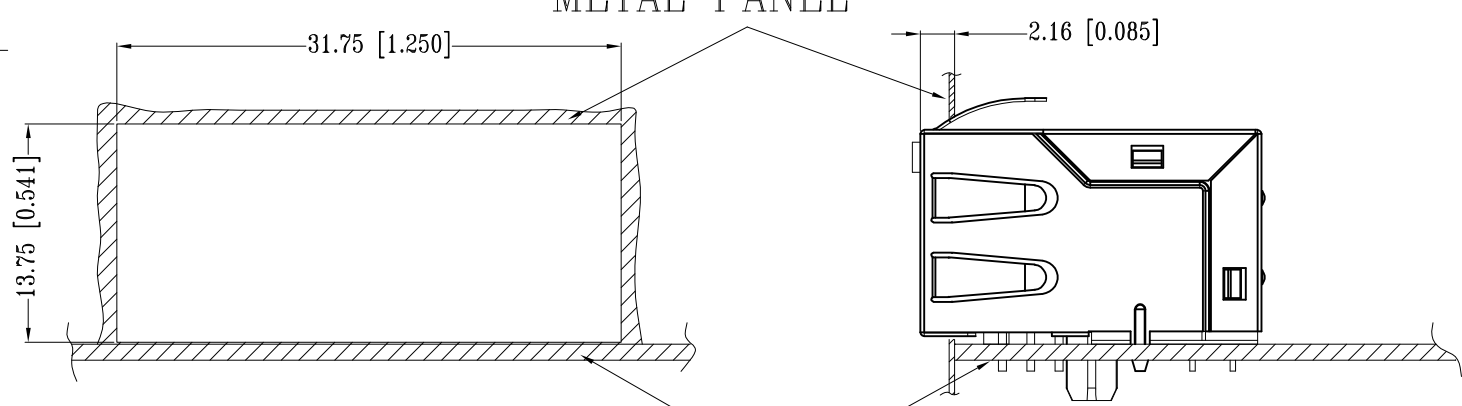
SUGGESTED PCB LAYOUT



Connector Boundary



METAL PANEL



PCB

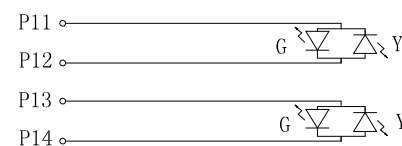
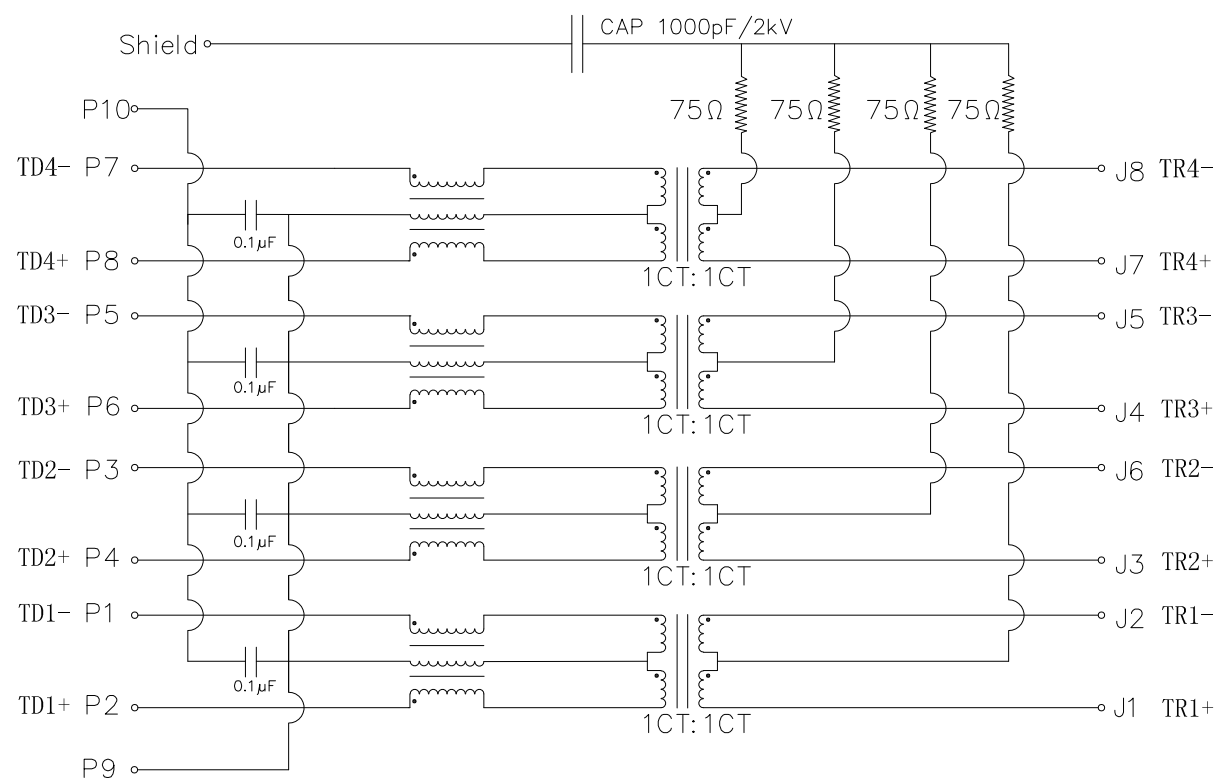
UNIT: mm / inch  
 TOLERANCES: ±0.10 / 0.004

THIS DRAWING IS A CONTROLLED DOCUMENT.		DWN GANESH C M 12SEP2016	TE Connectivity		
DIMENSIONS: mm [INCHES]		CHK FRANZ MUELLER 12SEP2016			
TOLERANCES UNLESS OTHERWISE SPECIFIED:		APVD MARTIN SZELAG 12SEP2016	NAME RJ45 JACK INT.MAG. 1Gb LED 1x2		
0 PLC ± - 1 PLC ± - 2 PLC ± - 3 PLC ± - 4 PLC ± - ANGLES ± -		PRODUCT SPEC 108-94552	RESTRICTED TO -		
MATERIAL 1		APPLICATION SPEC 114-94447	SIZE A3	CAGE CODE 00779	DRAWING NO C-2301996-7
FINISH 1		WEIGHT	SCALE 3:1	SHEET 2 OF 3	REV B1
CUSTOMER DRAWING					

REVISIONS

P	LTR	DESCRIPTION	DATE	DWN	APVD
-	-	SEE SHEET 1	-	-	-

# ELECTRICAL CIRCUIT DIAGRAM



Pin	Yellow	Green		Yellow	Green
P11	-	+	P13	-	+
P12	+	-	P14	+	-

- 1.0 Turn Ratio @100kHz: (P2~P1):(J1~J2) = 1:1±2%  
(P4~P3):(J3~J6) = 1:1±2%  
(P6~P5):(J4~J5) = 1:1±2%  
(P8~P7):(J7~J8) = 1:1±2%
- 2.0 Primary Inductance: 350µH MIN. @100kHz, 0.1V 8mA DC BIAS
- 3.0 DC Resistance: 1.2 OHMS MAX.
- 4.0 Insertion Loss: 1-100MHz -1.0dB MAX.  
100-125MHz -1.2dB MAX.
- 5.0 Return Loss: 1-40MHz -16dB MIN.  
40-60MHz -12dB MIN.  
60-80MHz -10dB MIN.  
80-100MHz -8dB MIN.
- 6.0 Cross Talk: 1-100MHz -30dB MIN.
- 7.0 COMMON TO COMMON MODE ATTENUATION: 1-100MHz -30dB MIN.
- 8.0 Isolation: PHY Side to Line Side: 2250VDC

2301996-7  
WWYY-xxxx

**TE**

FCC

CONTROL CODE  
DATE CODE  
"0213"

YY-YEAR  
WW-WEEK

THIS DRAWING IS A CONTROLLED DOCUMENT.		DWN GANESH C M 12SEP2016	<b>TE</b> TE Connectivity		
DIMENSIONS: mm [INCHES]		CHK FRANZ MUELLER 12SEP2016			
TOLERANCES UNLESS OTHERWISE SPECIFIED:		APVD MARTIN SZELAG 12SEP2016	NAME RJ45 JACK INT.MAG. 1Gb LED 1x2		
0 PLC ± - 1 PLC ± - 2 PLC ± - 3 PLC ± - 4 PLC ± - ANGLES ± -		PRODUCT SPEC 108-94552	RESTRICTED TO		
MATERIAL 1		FINISH 1	APPLICATION SPEC 114-94447	SIZE A3	CAGE CODE 00779
CUSTOMER DRAWING			DRAWING NO C-2301996-7	SCALE 3:1	SHEET 3 OF 3
			WEIGHT	REV B1	