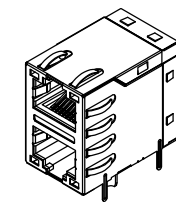
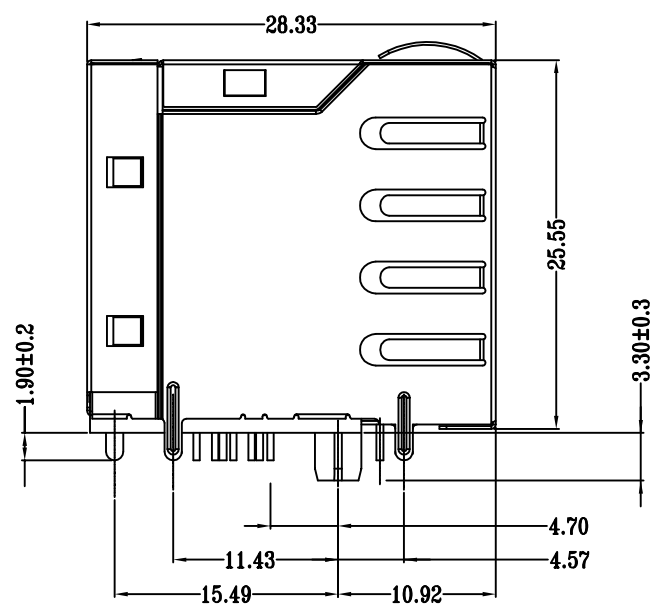
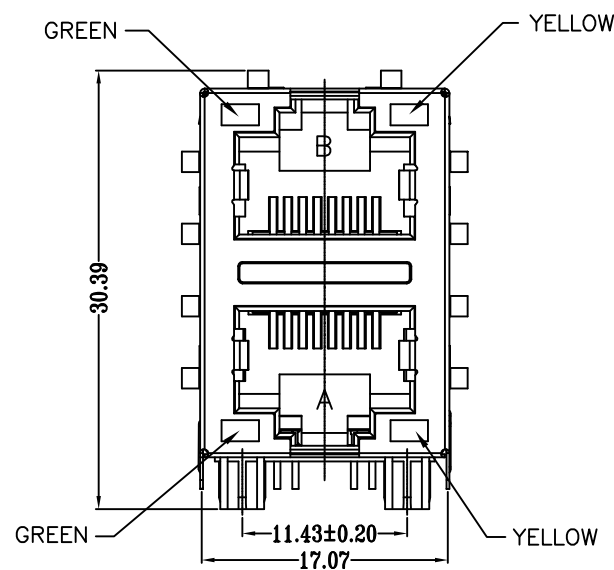
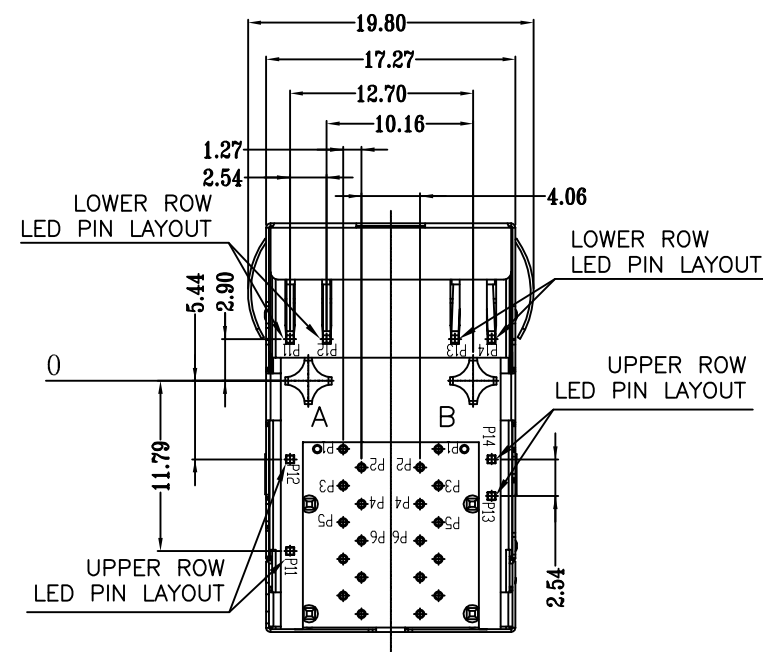


REVISIONS

P	LTR	DESCRIPTION	DATE	DWN	APVD
	B1	REV. PER PCN E-16-017540	27DEC2016	GCM	MSZ



1:1

- △ CONNECTOR MATERIAL:  
HOUSING: LCP BLACK UL94 V-0  
INSERT: LCP BLACK UL94 V-0  
SHIELD: BRASS  
SHIELD PLATING: NICKEL  
CONTACT: COOPER ALLOY  
CONTACT PLATING: SELECTIVE GOLD, MIN. 0.76 μm (30 μ inch) IN CONTACT AREA  
OVER MIN. 1.27 μm (50 μ inch) NICKEL  
SOLDER PIN PLATING: 3.05 μm (120 μ inch) TIN OVER 1.02 μm (40 μ inch) NICKEL OVER ALL  
SHIELDING PIN PLATING: NICKEL
- 2 PIN NOT ELECTRICALLY CONNECTED MAYBE OMITTED SEE ELECTRICAL CIRCUIT DIAGRAM FOR OMITTED PINS
- 3 RJ45 CAVITIES CONFORM TO FCC RULES AND REGULATION PART 68.
- 4 THE PART IS RECOMMENDED FOR REFLOW SOLDERING PROCESS PEAK SOLDERING: TEMPERATURE IS MAX. +260° C, MAX. 10s
- 5 OPERATING TEMPERATURE T = -40° C TO +85° C.
- 6 STORAGE TEMPERATURE T = -40° C TO +85° C.
- △ UNLESS OTHERWISE SPECIFIED, SEE TABLE FOR ALL DIMENSIONS TOLERANCES
- 8 JACK CONFIGURATION: 2 x 1  
TAB DIRECTION: UP/DOWN
- 9 PACKAGING: TRAY ACCORDING TO PACKAGING SPECIFICATION 107-18116

TABLE OF TOLERANCE (mm)	
RANGE	TOLERANCE
0-10	±0.15
>10-40	±0.25
>40-70	±0.30
>70	±0.40

D

D

C

C

B

B

A

A

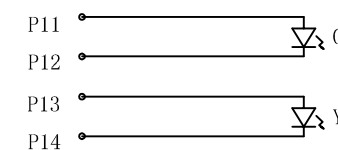
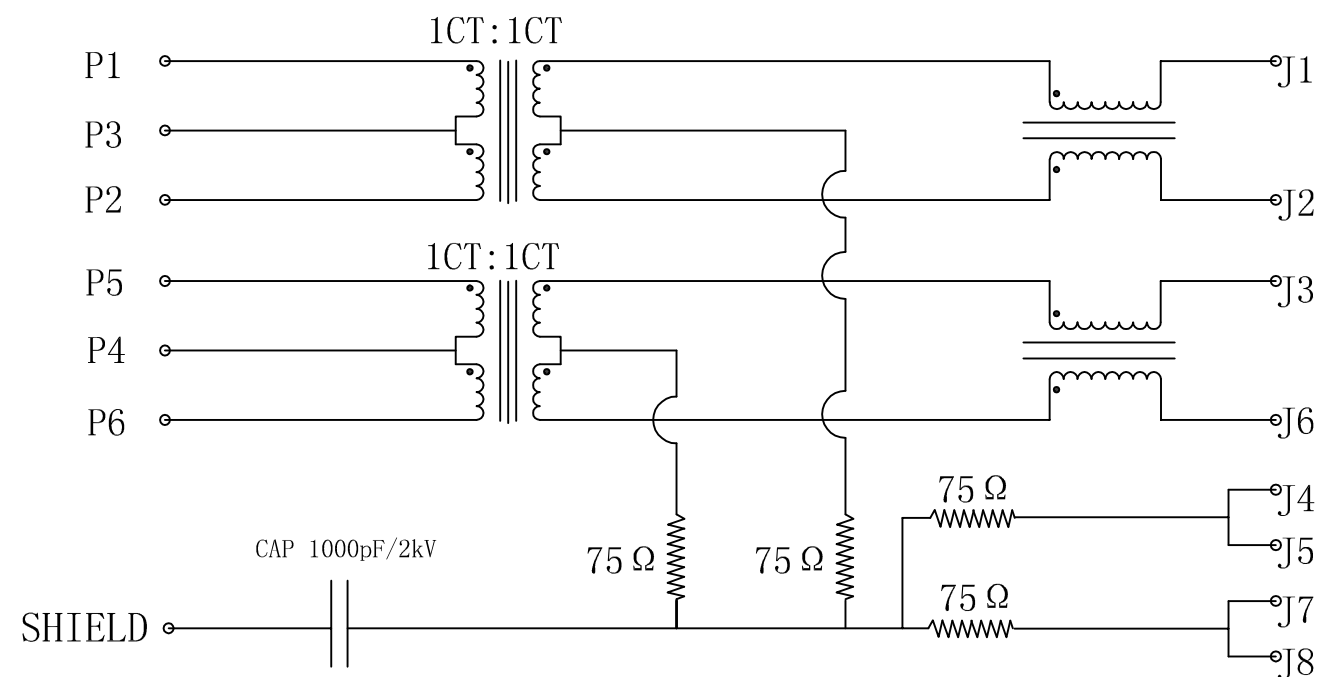
THIS DRAWING IS A CONTROLLED DOCUMENT.		DWN 02AUG2016 GANESH C M	<b>TE</b> TE Connectivity	
		CHK 02AUG2016 FRANZ MUELLER		
		APVD 02AUG2016 MARTIN SZELAG	NAME RJ45 JACK INTEGRATED MAGNETIC 10/100 LED	
DIMENSIONS: mm		PRODUCT SPEC 108-94552	-	
TOLERANCES UNLESS OTHERWISE SPECIFIED: 0 PLC ± - 1 PLC ± - 2 PLC ± - 3 PLC ± - 4 PLC ± - ANGLES ± -		APPLICATION SPEC 114-94447	-	
MATERIAL △ 1		WEIGHT	SIZE A3	CAGE CODE 00779
FINISH △ 1		CUSTOMER DRAWING	DRAWING NO C-2301997-5	RESTRICTED TO -
		SCALE 3:1	SHEET 1 of 3	REV B1



REVISIONS

P	LTR	DESCRIPTION	DATE	DWN	APVD
-	-	SEE SHEET 1	-	-	-

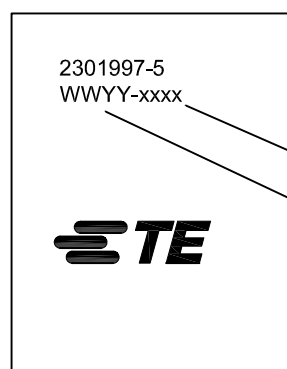
ELECTRICAL CIRCUIT DIAGRAM



PIN	GREEN	YELLOW
P11	+	P13 +
P12	-	P14 -

LED SPECIFICATION			
STANDARD LED	WAVELENGTH	FORWARD V(max)	TYP
GREEN	565nm	2.4V	2.2V
YELLOW	590nm	2.5V	2.1V

- 1 TURN RATIO @100kHz: (P1~P2):(J1~J2) = 1:1±2%  
(P5~P6):(J3~J6) = 1:1±2%
- 2 PRIMARY INDUCTANCE: 350µH MIN. @100kHz, 0.1V 8mA DC BIAS
- 3 DC RESISTANCE: 1.2 OHM MAX.
- 4 INSERTION LOSS: 1-100MHz -1.2dB MAX.
- 5 RETURN LOSS: 1-30MHz -16dB MIN.  
30-60MHz -12dB MIN.  
60-80MHz -10dB MIN.
- 6 CROSS TALK: 1-100MHz -30dB MIN.
- 7 COMMON TO COMMON MODE ATTENUATION: 1-100MHz -30dB MIN.
- 8 ISOLATION: PHY SIDE TO LINE SIDE: 2250VDC



2301997-5  
WWYY-xxxx

CONTROL CODE

DATE CODE

"0213"

YY-YEAR

WW-WEEK

FCC

THIS DRAWING IS A CONTROLLED DOCUMENT.		DWN GANESH C M 02AUG2016	TE Connectivity	
		CHK FRANZ MUELLER 02AUG2016		
DIMENSIONS: mm		APVD MARTIN SZELAG 02AUG2016	NAME RJ45 JACK INTEGRATED MAGNETIC 10/100 LED	
		PRODUCT SPEC 108-94552	-	
		APPLICATION SPEC 114-94447	-	
MATERIAL		WEIGHT	SIZE A3	CAGE CODE 00779
FINISH		CUSTOMER DRAWING	DRAWING NO C=2301997-5	RESTRICTED TO -
			SCALE 3:1	SHEET 3 of 3
				REV B1