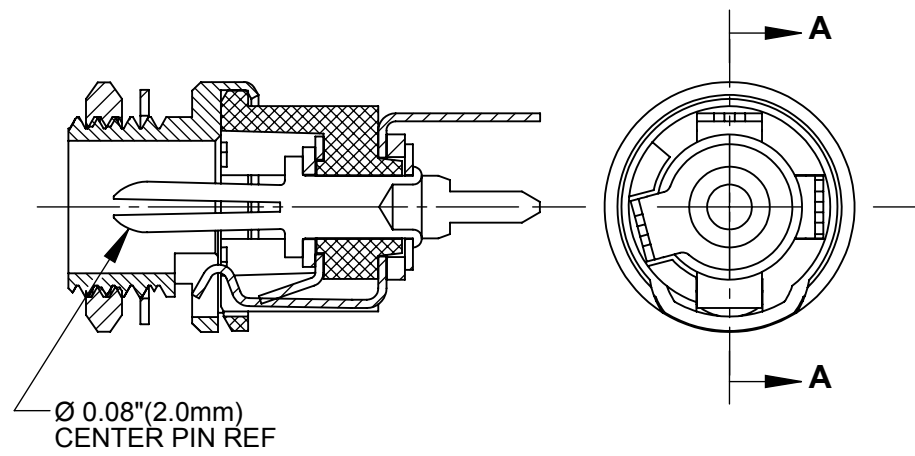
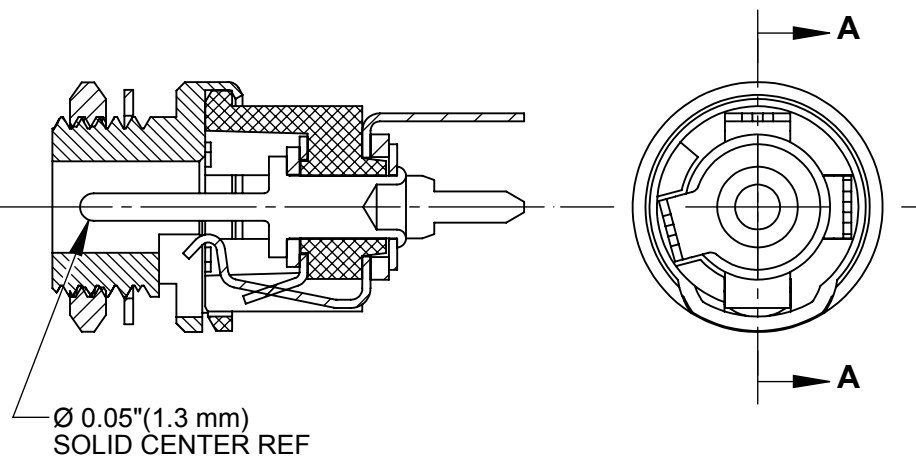


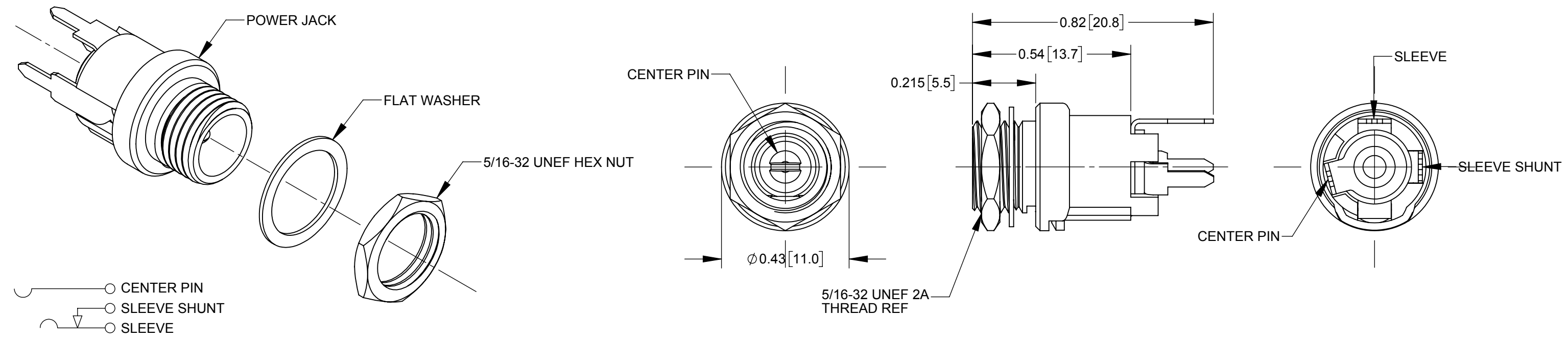
**PC712AH**



**PC722AH**



**PC732AH**



- CENTER PIN
- SLEEVE SHUNT
- SLEEVE

**SCHEMATIC**

**PRELIMINARY**

**CUSTOMER DRAWING**

- NOTES:**
- DIMENSIONS SHOWN FOR REFERENCE ONLY.
  - HEX NUT AND FLAT WASHER SUPPLIED UNASSEMBLED.
  - MATERIAL:  
HOUSING, HEX NUT - COPPER ALLOY, NICKEL PLATED  
INSULATOR HOUSING - THERMOPLASTIC, BLACK  
TERMINAL INSULATORS - PHENOLIC  
FLAT WASHER - STEEL, NICKEL PLATED  
PIN, SPRING, TERMINALS - COPPER ALLOY, SILVER PLATED
  - THESE PRODUCTS ARE RoHS COMPLIANT

| REV       | ECO NUMBER | DATE    | BY  | APVD |
|-----------|------------|---------|-----|------|
| 0A        | PDR 15004  | 6/27/16 | PNK | SRC  |
| REVISIONS |            |         |     |      |

UNLESS OTHERWISE SPECIFIED

- ALL DIMENSIONS IN INCHES
- TWO PLACE DECIMALS ±0.02
- THREE PLACE DECIMALS ±0.005

**DO NOT SCALE DRAWING**

|  |       |      |         |        |                         |         |  |  |  |
|--|-------|------|---------|--------|-------------------------|---------|--|--|--|
| THIS DRAWING DESCRIBES A DESIGN CONSIDERED PROPRIETARY IN NATURE, DEVELOPED AND MANUFACTURED BY SWITCHCRAFT INC. AND IS RELEASED ON A CONFIDENTIAL BASIS FOR IDENTIFICATION PURPOSES ONLY. |       |      |         |        |                         |         |  |  |  |
| SIZE   | WIDTH | MULT | LBS/M   | TEMPER |                         |         |  |  |  |
| FINISH   |       |      |         |        | MATERIAL                |         |  |  |  |
| SPEC No.   |       |      |         |        | SPEC No.                |         |  |  |  |
| FIRST USED ON  |       |      |         |        | SCALE                   |         |  |  |  |
|  |       |      |         |        | 3:1                     |         |  |  |  |
| DATE DRAWN   | BY    | CHKD | APVD    |        |                         |         |  |  |  |
| 6/27/16  | PNK   | PNK  | SRC     |        |                         |         |  |  |  |
|  |       |      | 6/27/16 |        |                         | 6/27/16 |  |  |  |
| NAME   |       |      |         |        | PART No.                |         |  |  |  |
| HT POWER JACKS   |       |      |         |        | PC712AH PC722AH PC732AH |         |  |  |  |
| PC7_2AH SERIES, RoHS   |       |      |         |        | REV                     |         |  |  |  |
|  |       |      |         |        | 0A                      |         |  |  |  |



SHEET 1 OF 1