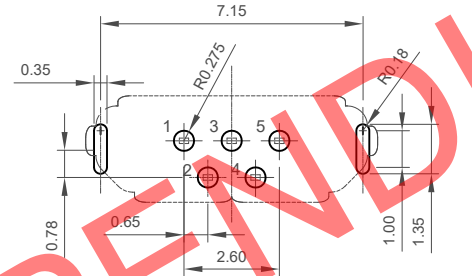
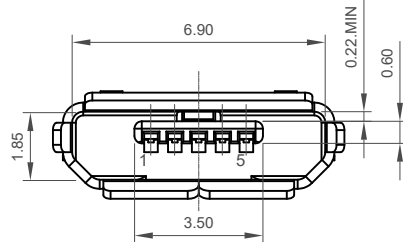
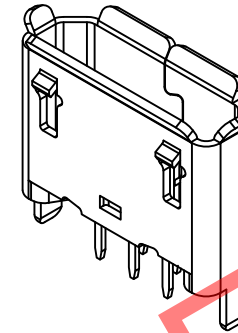
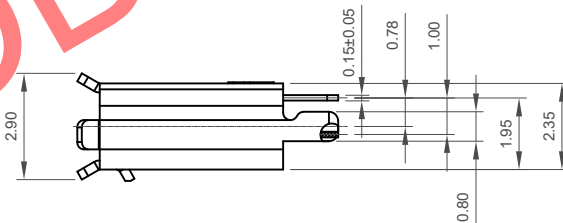
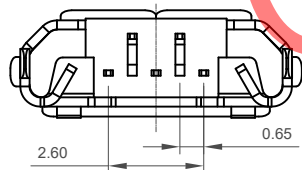
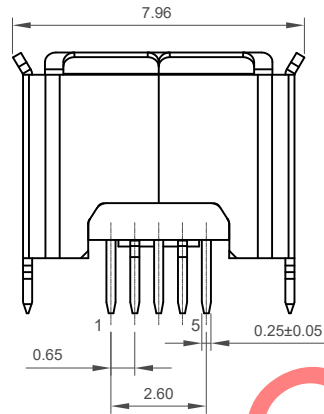


Designed to comply with physical, electrical and environmental requirements of Micro USB Standard (USB2.0), A/B types support USB On-The-Go (OTG) interface.

If you seek longer shell stakes for a thicker PCB (for example 1.60mm (.062")) Please see USB3140 (SMT with cap) or USB3131 / USB3145 (Through-hole)



Recommended PCB Layout
As viewed from component side General Tolerance: ±0.05
□ Component Outline



Ordering Grid

USB3130 - 30 - A

Contact Plating
30 = 30µ" Gold

Packing Options
A = Tape & Reel
(1.5K per Reel)

Request Samples and Quotation

Specifications 规格:

Materials 材料:

Plastic Housing 塑胶外壳: LCP, UL94V-0, Black
Contact Terminal 接触端子: Copper Alloy
Metallic Shell 金属外壳: Stainless Steel, SUS304 T=0.25mm

Plating 电镀:

Underplating 底层电镀: Nickel 100µ" min.
Contact Area 接触面积: 30µ" Gold plating
Solder Tails 焊接末端: Gold Flash
Metallic Shell 金属外壳: Nickel 80µ" min.

Electrical 电气规格:

Voltage Rating 电压额定值: 30 V
Current Rating 电流额定值: Signal (Pins 2,3,4): 1.0 A
Power (Pins 1,5): 1.8 A
Operating Temperature 工作温度: -55°C to +85°C
Contact Resistance 接触电阻值: 30 mΩ max.
Insulating Resistance 绝缘电阻值: 1000 MΩ min.
Dielectric Withstand Voltage 耐电压: 100 V AC/minute

Mechanical & Environmental 机械 & 环境

Mating Force 插入力: 35N max.
Unmating Force 拨出力: Initial 10N min.
Final 8N min after durability test.
Durability 耐久性: 10,000 Cycles

Part Number		Product Description	
USB3130		Micro USB Receptacle, Type B, Through-Hole, Vertical, With 1.5mm Through-Hole Shell Stakes	
Drawing Date		21st October 2011	
By	CC	Tolerances (Except as Noted)	Units:
Detail	USB3130 D PCN	Length	Metric (mm)
Revision	D3	X.X ± 0.35	3rd Angle Projection
Date	23/03/17	X.XX ± 0.25	



This drawing is confidential and copyright of Global Connector Technology, Ltd (GCT). This drawing must not be copied or disclosed without written consent. E & OE



Not to Scale	Drawn By ASE	Sheet No. 1/2
--------------	--------------	---------------

