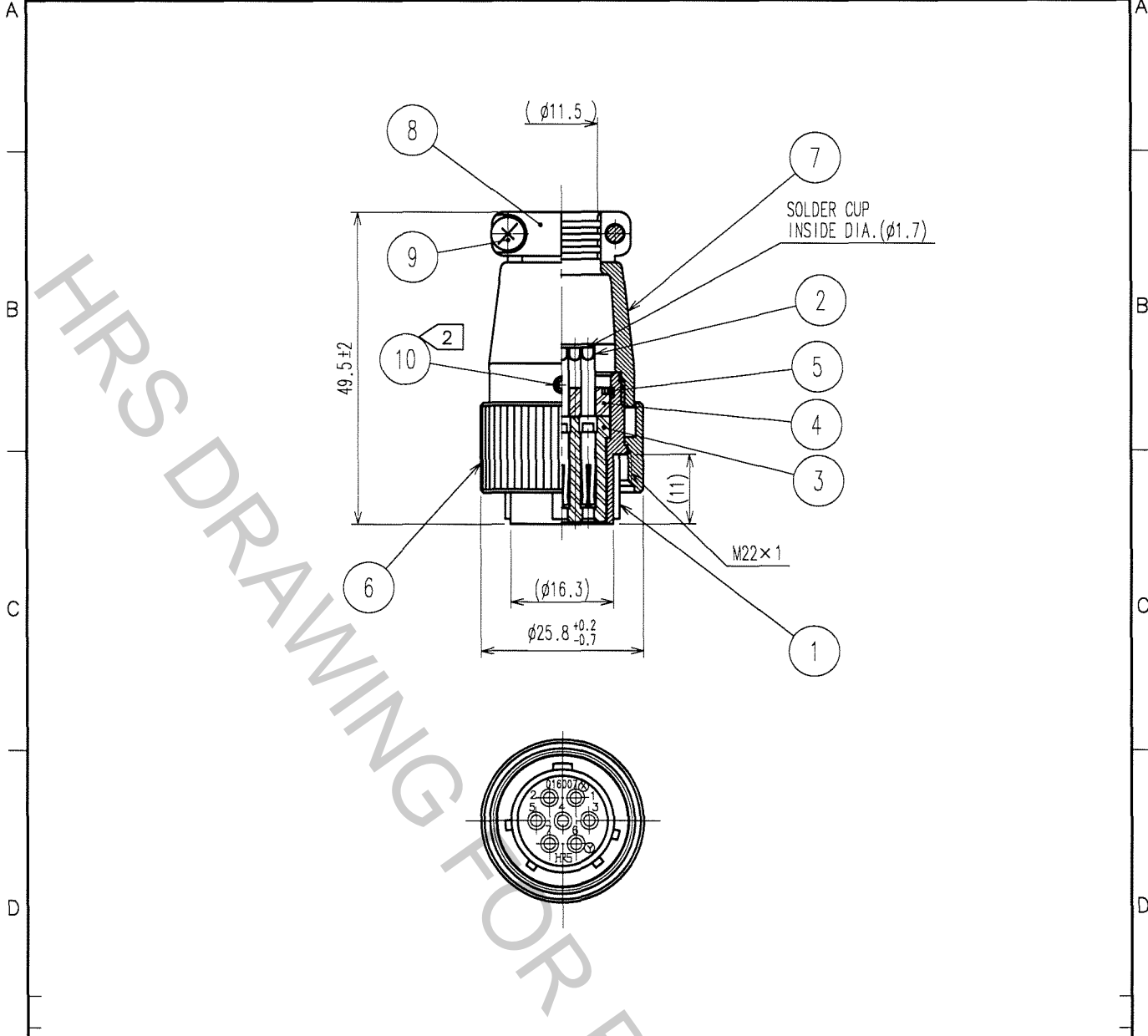


1		2		3		4			
COUNT	DESCRIPTION OF REVISIONS	BY	CHKD	DATE	COUNT	DESCRIPTION OF REVISIONS	BY	CHKD	DATE
△				. .	△				. .
△				. .	△				. .
△				. .	△				. .



NOTES 1. ROTATION EXAMPLES OF REF. NO. ① AND ⑦ ARE SHOWN.
 ② ACROSS FLATS OF HEAGON HEAD OF REF. NO. ⑩ TO BE 1.27mm.

5	PHOSPHOR BRONZE	NICKEL PLATING	10	STEEL	NICKEL PLATING, HEX SOCKET SET SCREW M2.6x0.45x2
4	PHENOL FORMALDEHYDE	(BLACK) UL94V-0	9	BRASS	NICKEL PLATING M3x0.5x8
3	PHENOL FORMALDEHYDE	(BLACK) UL94V-0	8	ALUMINUM ALLOY	MATTE FINISH NICKEL PLATED
2	COPPER ALLOY	SILVER PLATING, 2μm min	7	ALUMINUM ALLOY	MATTE FINISH NICKEL PLATED
1	ALUMINUM ALLOY	MATTE FINISH NICKEL PLATED	6	ALUMINUM ALLOY	MATTE FINISH NICKEL PLATED
NO.	MATERIAL	FINISH, REMARKS	NO.	MATERIAL	FINISH, REMARKS

CODE NO. (OLD)	DRAWN	DESIGNED	CHECKED	APPROVED	RELEASED
	<i>T. Nozue</i>	<i>E. Kunii</i>		<i>M. Sato</i>	
	06.03.26	06.03.26		06.03.27	

SCALE	DRAWING NO.	PART NO.
1 : 1	EDC4-024137-71	JR16PK-7S(71)
UNITS	CODE NO.	
mm	CL114-0511-0-71	

TO
R