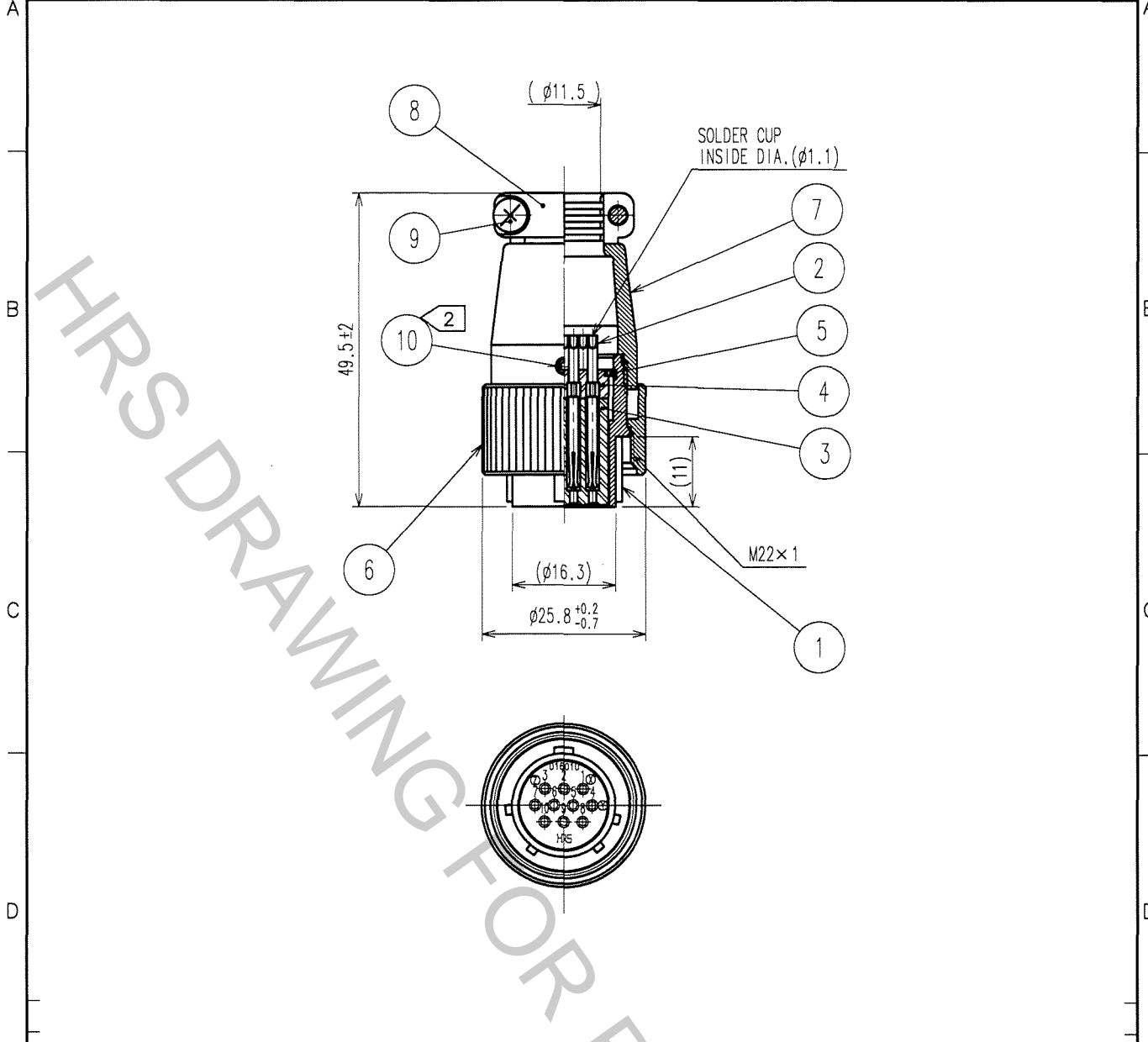


| 1 | 2 | 3 | 4 | | | | | | |
|-------|--------------------------|----|------|------|-------|--------------------------|----|------|------|
| COUNT | DESCRIPTION OF REVISIONS | BY | CHKD | DATE | COUNT | DESCRIPTION OF REVISIONS | BY | CHKD | DATE |
| △ | | | | .. | △ | | | | .. |
| △ | | | | .. | △ | | | | .. |
| △ | | | | .. | △ | | | | .. |



NOTES 1. ROTATION EXAMPLES OF REF.NO. ① AND ⑦ ARE SHOWN.
 ② ACROSS FLATS OF HEAGON HEAD OF REF.NO. ⑩ TO BE 1.27mm.

| 5 | PHOSPHOR BRONZE | NICKEL PLATING | 10 | STEEL | NICKEL PLATING, HEX SOCKET SET SCREW M2.6×0.45×2 |
|-----|---------------------|----------------------------|-----|----------------|--|
| 4 | PHENOL FORMALDEHYDE | (BLACK) UL94V-0 | 9 | BRASS | NICKEL PLATING M3×0.5×8 |
| 3 | PHENOL FORMALDEHYDE | (BLACK) UL94V-0 | 8 | ALUMINUM ALLOY | MATTE FINISH NICKEL PLATED |
| 2 | COPPER ALLOY | SILVER PLATING, 2μm min | 7 | ALUMINUM ALLOY | MATTE FINISH NICKEL PLATED |
| 1 | ALUMINUM ALLOY | MATTE FINISH NICKEL PLATED | 6 | ALUMINUM ALLOY | MATTE FINISH NICKEL PLATED |
| NO. | MATERIAL | FINISH, REMARKS | NO. | MATERIAL | FINISH, REMARKS |

| CODE NO. (OLD) | DRAWN | DESIGNED | CHECKED | APPROVED | RELEASED |
|----------------|-------------------------------|----------|-----------------------------|----------|----------|
| | J. Horii | E. Kumai | | M. Sato | |
| | 06.03.24 | 06.03.26 | | 06.03.27 | |
| SCALE 1 : 1 | DRAWING NO. EDC4-024138-71 | | PART NO. JR16PK-10S(71) | | |
| UNITS mm | HRS HIROSE ELECTRIC CO., LTD. | | CODE NO. CL114-0512-3-71 | | 1/1 |

| |
|----|
| TO |
| R |
| |
| |