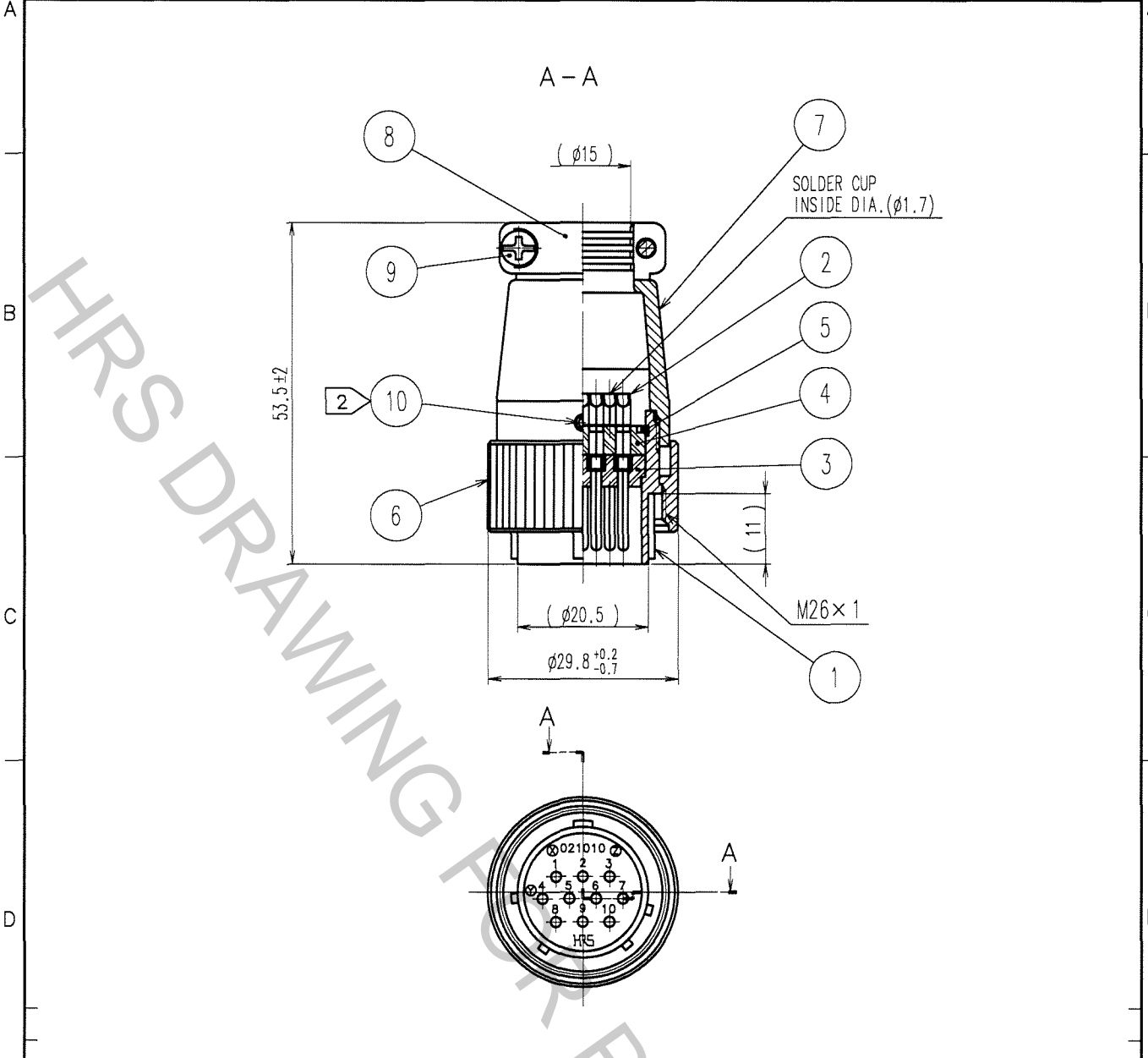


1	2			3			4		
COUNT	DESCRIPTION OF REVISIONS	BY	CHKD	DATE	COUNT	DESCRIPTION OF REVISIONS	BY	CHKD	DATE
△					△				
△					△				
△					△				



NOTES 1. ROTATION EXAMPLES OF REF.NO. ① AND ⑦ ARE SHOWN.  
 ② ACROSS FLATS OF HEAGON HEAD OF REF.NO. ⑩ TO BE 1.27mm.

5	PHOSPHOR BRONZE	NICKEL PLATING	10	STEEL	NICKEL PLATING, HEX SOCKET SET SCREW M2.6×0.45×2
4	PHENOL FORMALDEHYDE	(BLACK) UL94V-0	9	BRASS	NICKEL PLATING M3×0.5×10
3	PHENOL FORMALDEHYDE	(BLACK) UL94V-0	8	ALUMINUM ALLOY	MATTE FINISH NICKEL PLATED
2	COPPER ALLOY	SILVER PLATING, 3μm min	7	ALUMINUM ALLOY	MATTE FINISH NICKEL PLATED
1	ALUMINUM ALLOY	MATTE FINISH NICKEL PLATED	6	ALUMINUM ALLOY	MATTE FINISH NICKEL PLATED
NO.	MATERIAL	FINISH, REMARKS	NO.	MATERIAL	FINISH, REMARKS

CODE NO. (OLD)	DRAWN	DESIGNED	CHECKED	APPROVED	RELEASED
	<i>T. Ishizaki</i> 06.03.26	<i>E. Kunita</i> 06.03.26		<i>M. Saito</i> 06.03.27	

TO
R

 SCALE 1 : 1 UNITS mm	DRAWING NO. EDC4-024131-71	PART NO. JR21PK-10P(71)
	 HIROSE ELECTRIC CO., LTD.	CODE NO. CL114-0505-8-71