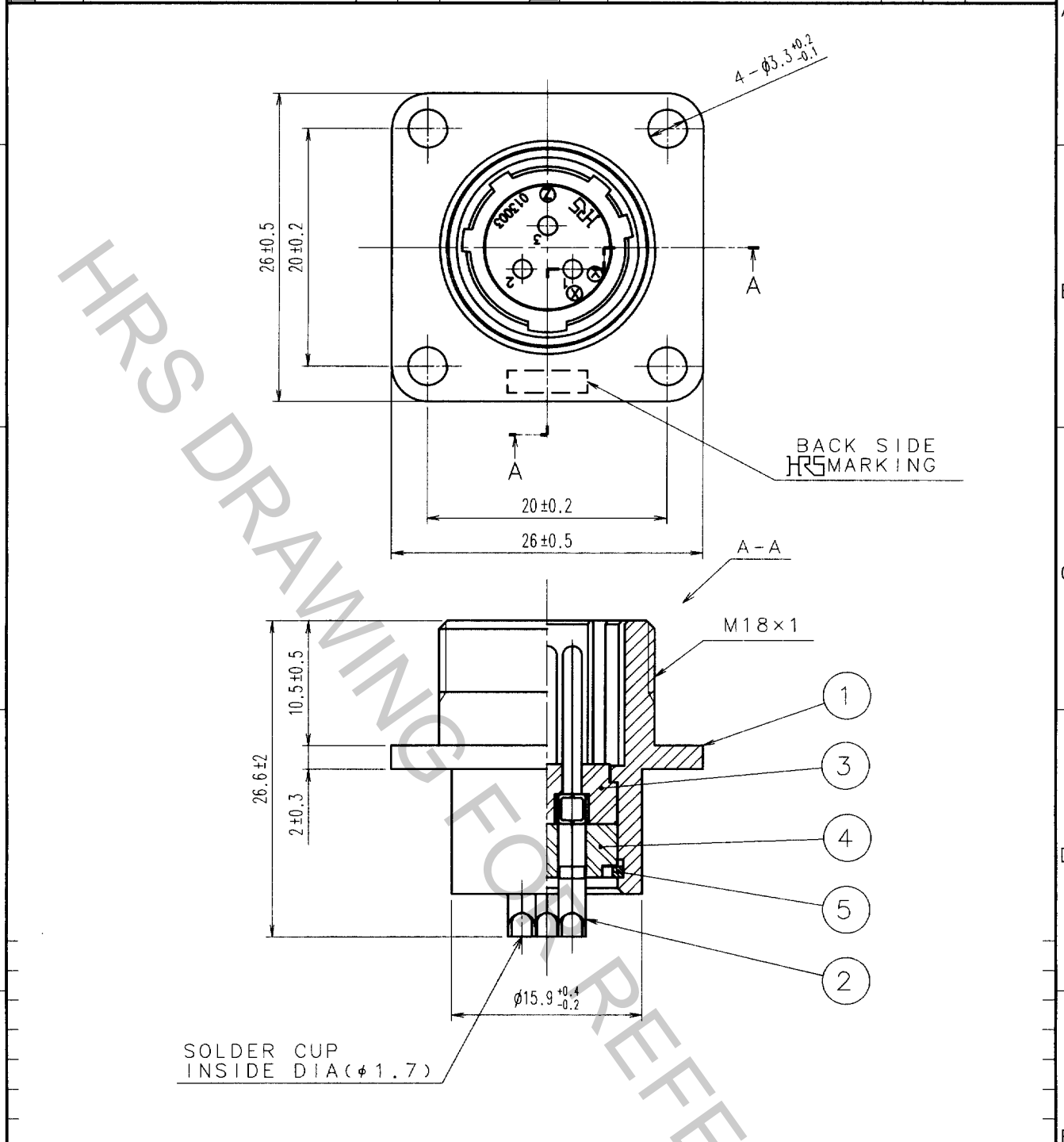


1		2			3			4		
COUNT	DESCRIPTION OF REVISIONS	BY	CHKD	DATE	COUNT	DESCRIPTION OF REVISIONS	BY	CHKD	DATE	
△				..	△				..	
△				..	△				..	
△				..	△				..	



3	PHENOL FORMALDEHYDE (BLACK) UL94V-0				
2	COPPER ALLOY SILVER PLATING	5	PHOSPHOR BRONZE NICKEL PLATING		
1	ALUMINUM ALLOY MATTE FINISH NICKEL PLATED	4	PHENOL FORMALDEHYDE (BLACK) UL94V-0		
NO.	MATERIAL	FINISH, REMARKS	NO.	MATERIAL	FINISH, REMARKS

CODE NO. (OLD)		DRAWN	DESIGNED	CHECKED	APPROVED	RELEASED
		H. Nagano	H. Nagano	E. Kunii	Om. Goshida	
		02.07.01	02.07.01	02.07.02	02.07.03	

 SCALE 2 : 1 UNITS mm	DRAWING NO. EDC4-024143	PART NO. JR13RK-3P
	 HIROSE ELECTRIC CO., LTD.	CODE NO. CL114-0517-7

TO
R