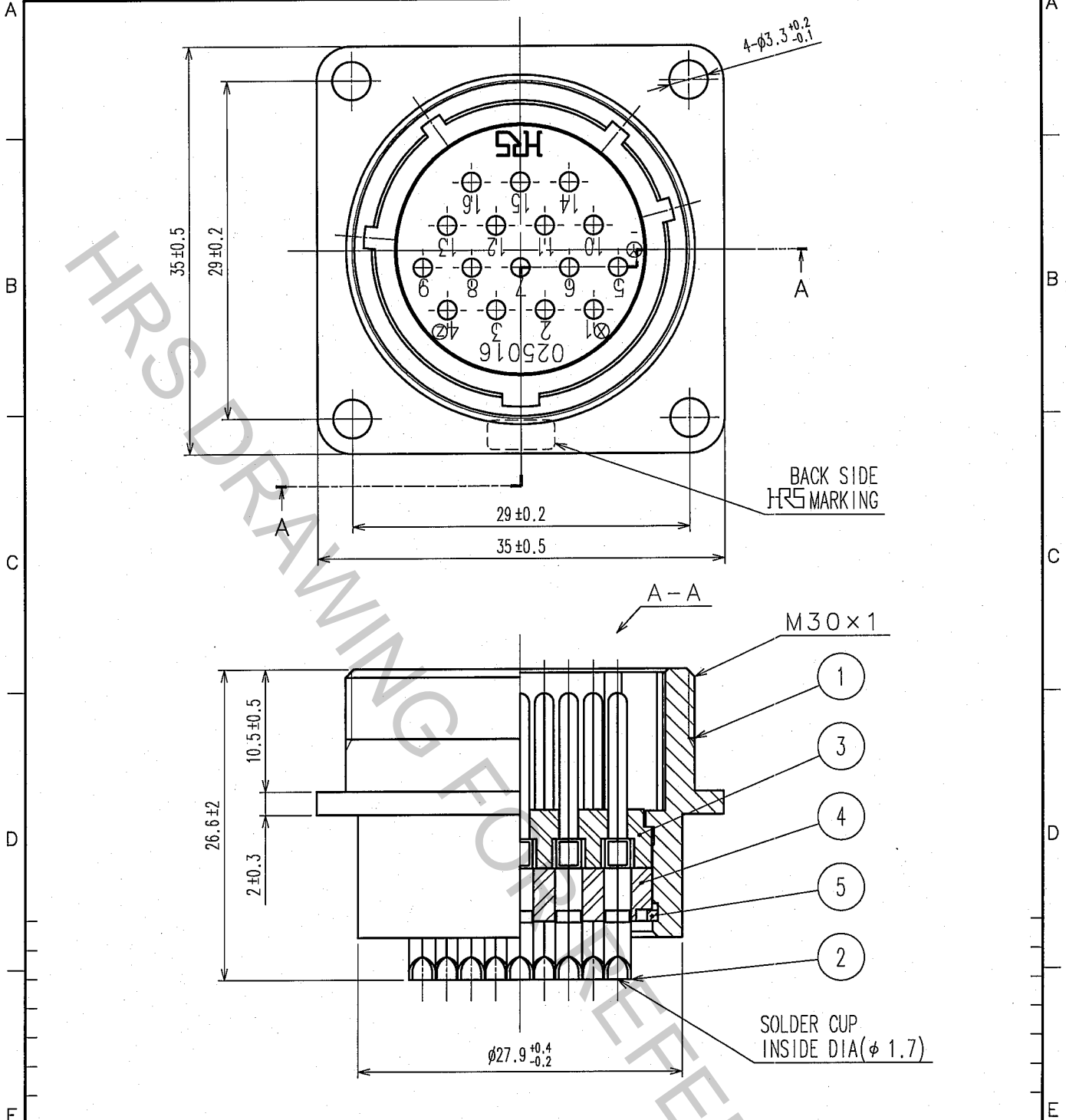


Aug.1.2017 Copyright 2017 HIROSE ELECTRIC CO., LTD. All Rights Reserved.

1					2					3					4				
COUNT	DESCRIPTION OF REVISIONS				BY	CHKD	DATE	COUNT	DESCRIPTION OF REVISIONS				BY	CHKD	DATE				
△								△											
△								△											
△								△											



NO.	MATERIAL	FINISH, REMARKS	NO.	MATERIAL	FINISH, REMARKS
3	PHENOL FORMALDEHYDE	(BLACK) UL94V-0	5	PHOSPHOR BRONZE	NICKEL PLATING
2	COPPER ALLOY	SILVER PLATING 2μm min	4	PHENOL FORMALDEHYDE	(BLACK) UL94V-0
1	ALUMINUM ALLOY	MATTE FINISH NICKEL PLATED			

CODE NO. (OLD)	DRAWN	DESIGNED	CHECKED	APPROVED	RELEASED
	T. HORII	M. Nagano		M. Sato	
	05.09.12	05.09.12		05.09.12	

 SCALE 2 : 1 UNITS mm	DRAWING NO.	PART NO.
	EDC4-024149	JR25RK-16P
 HIROSE ELECTRIC CO., LTD.	CODE NO.	
	CL114-0523-0	1/1

TO
R