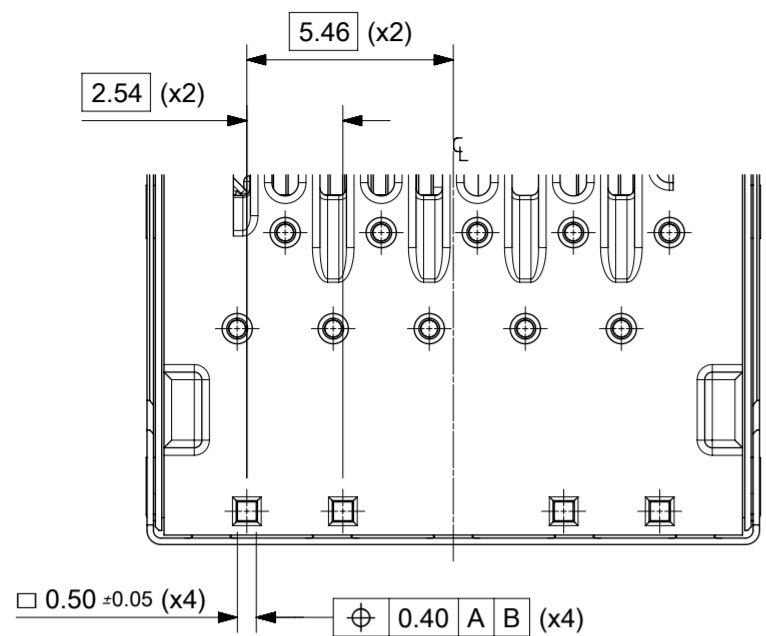
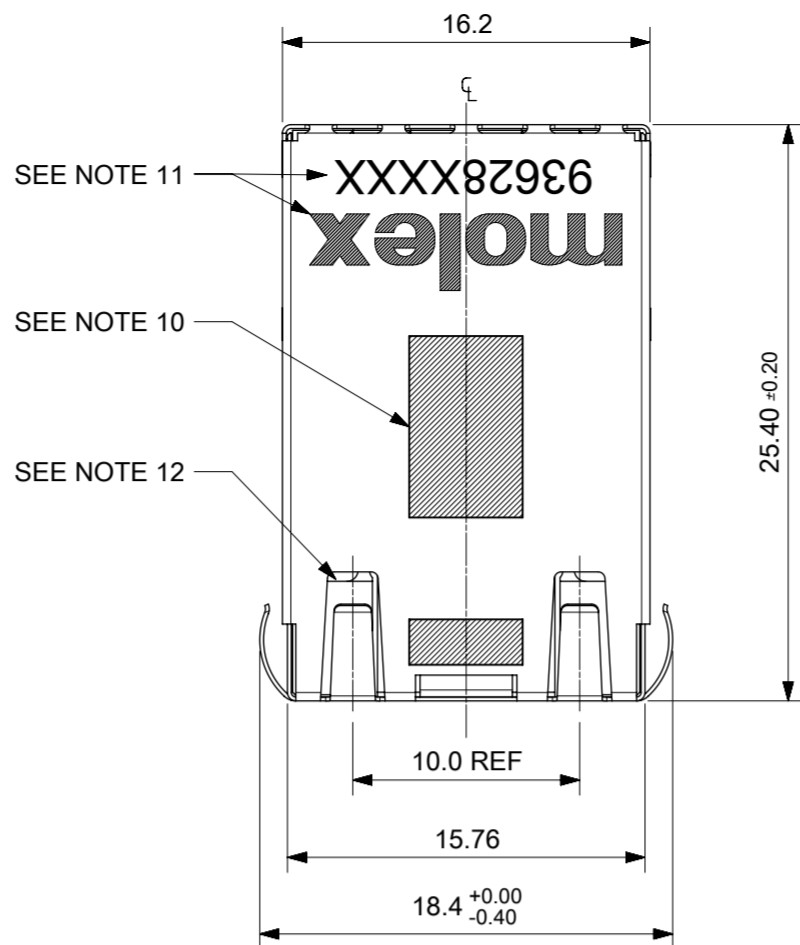


1 INCH MAGNETIC JACK  
GIGABIT ETHERNET  
W/LEDS W/SHIELD TABS



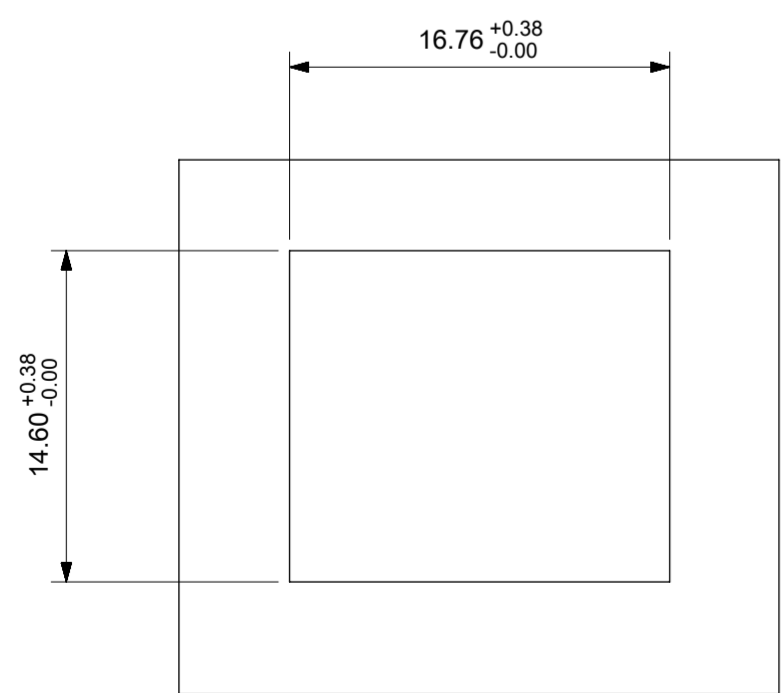
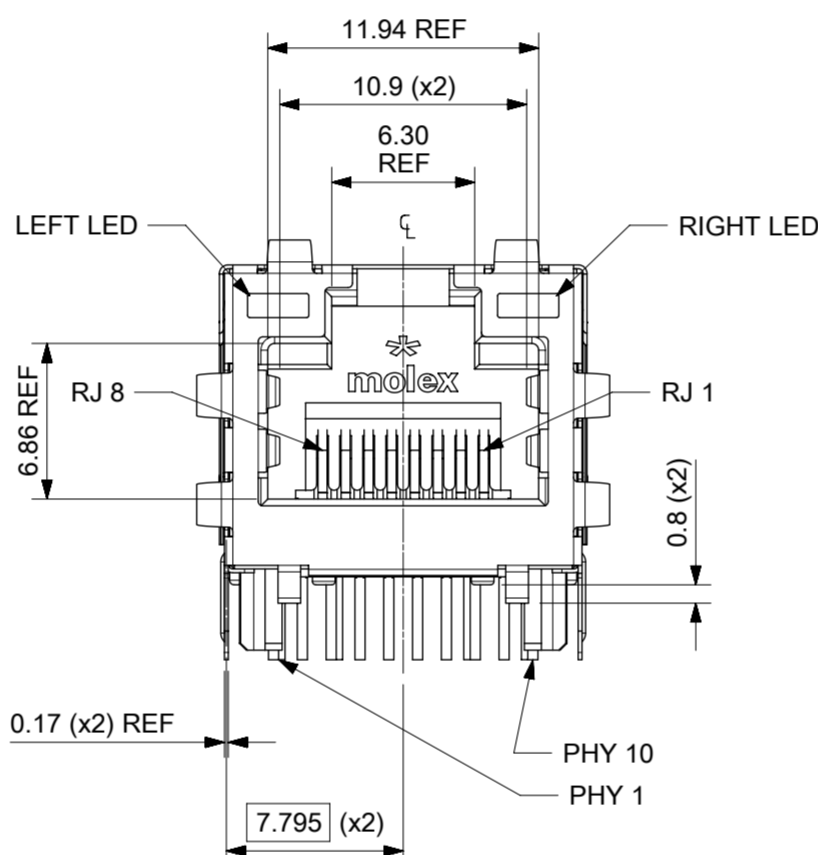
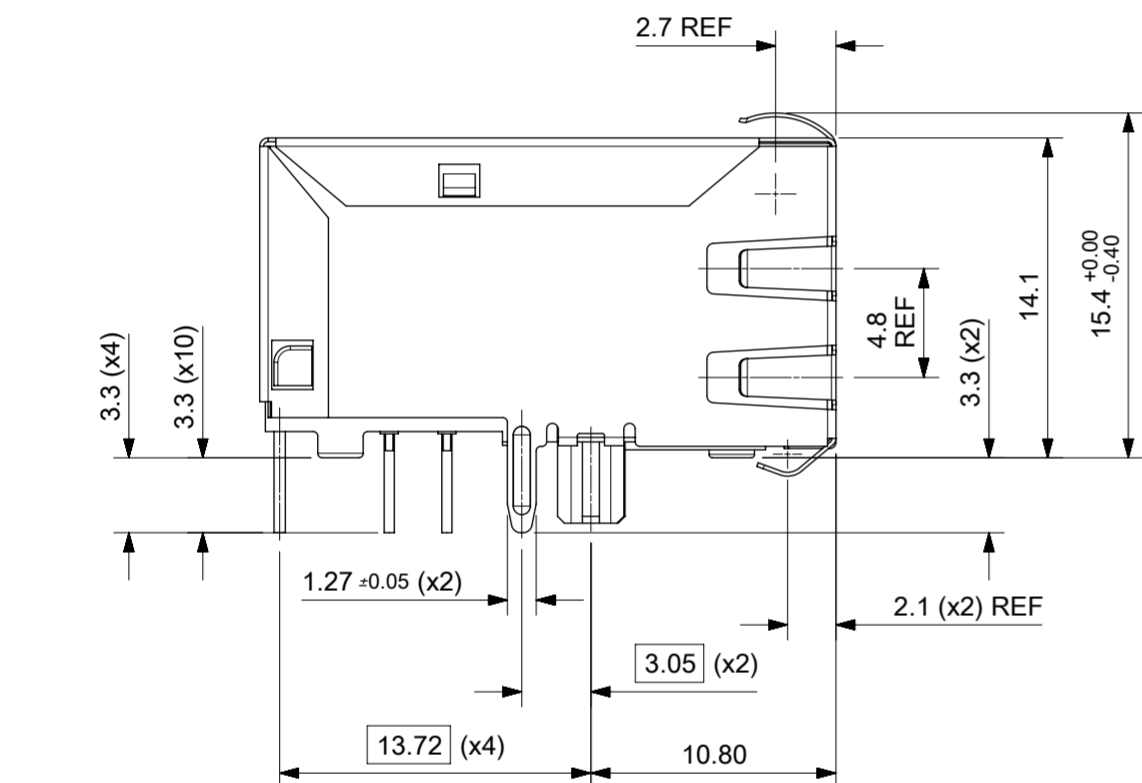
DETAIL A  
SCALE 5:1



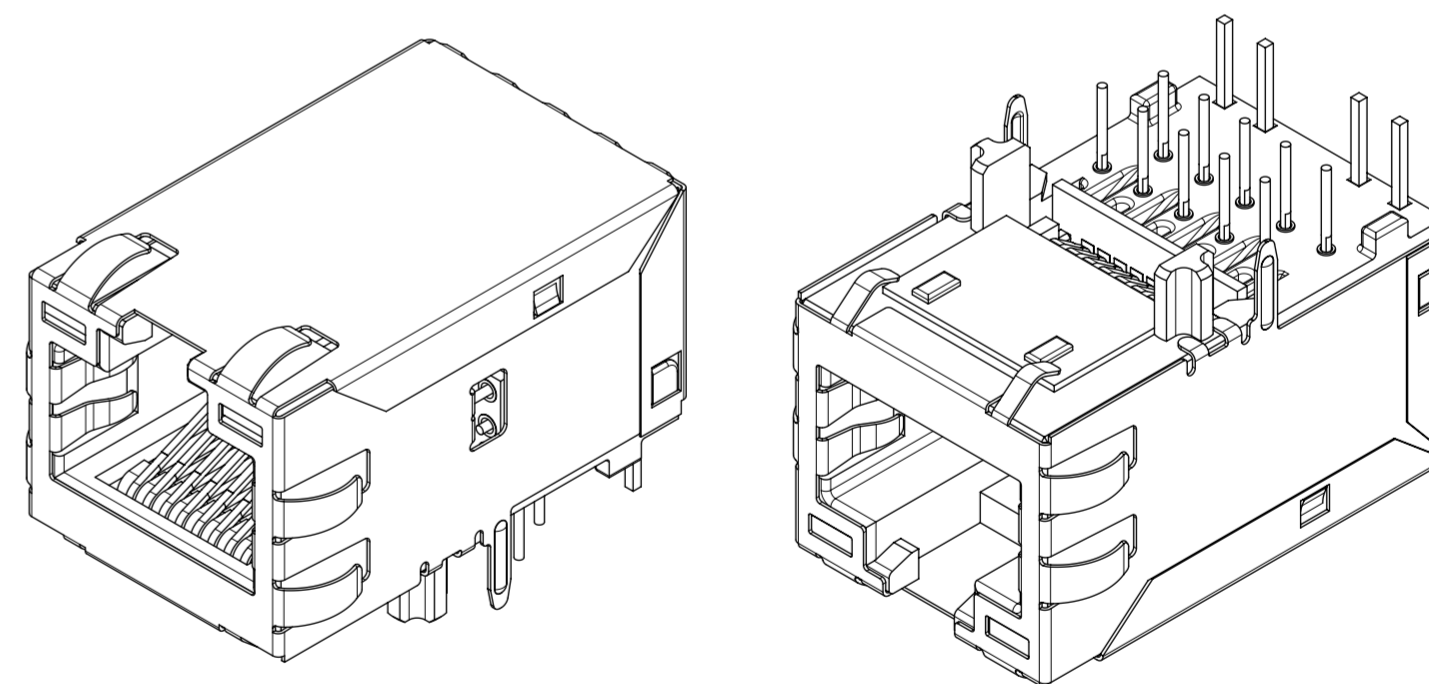
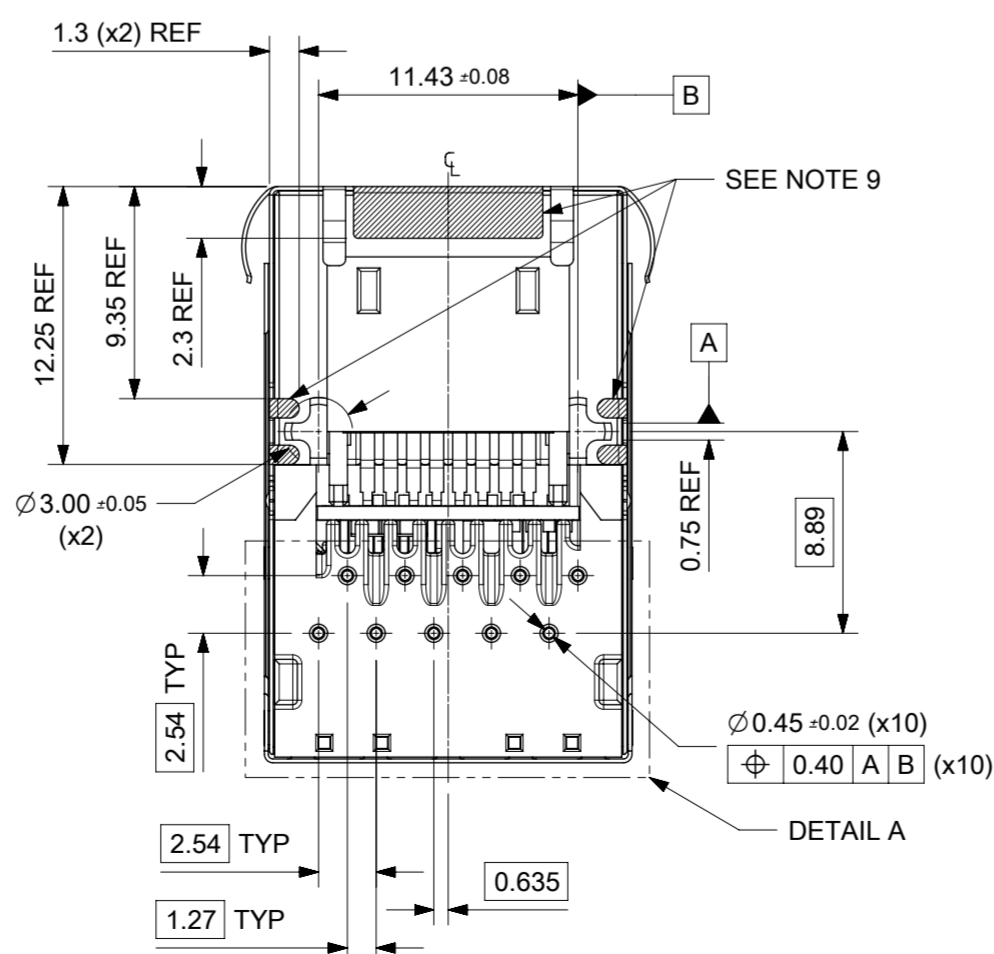
SEE NOTE 11  
SEE NOTE 10  
SEE NOTE 12

NOTES:

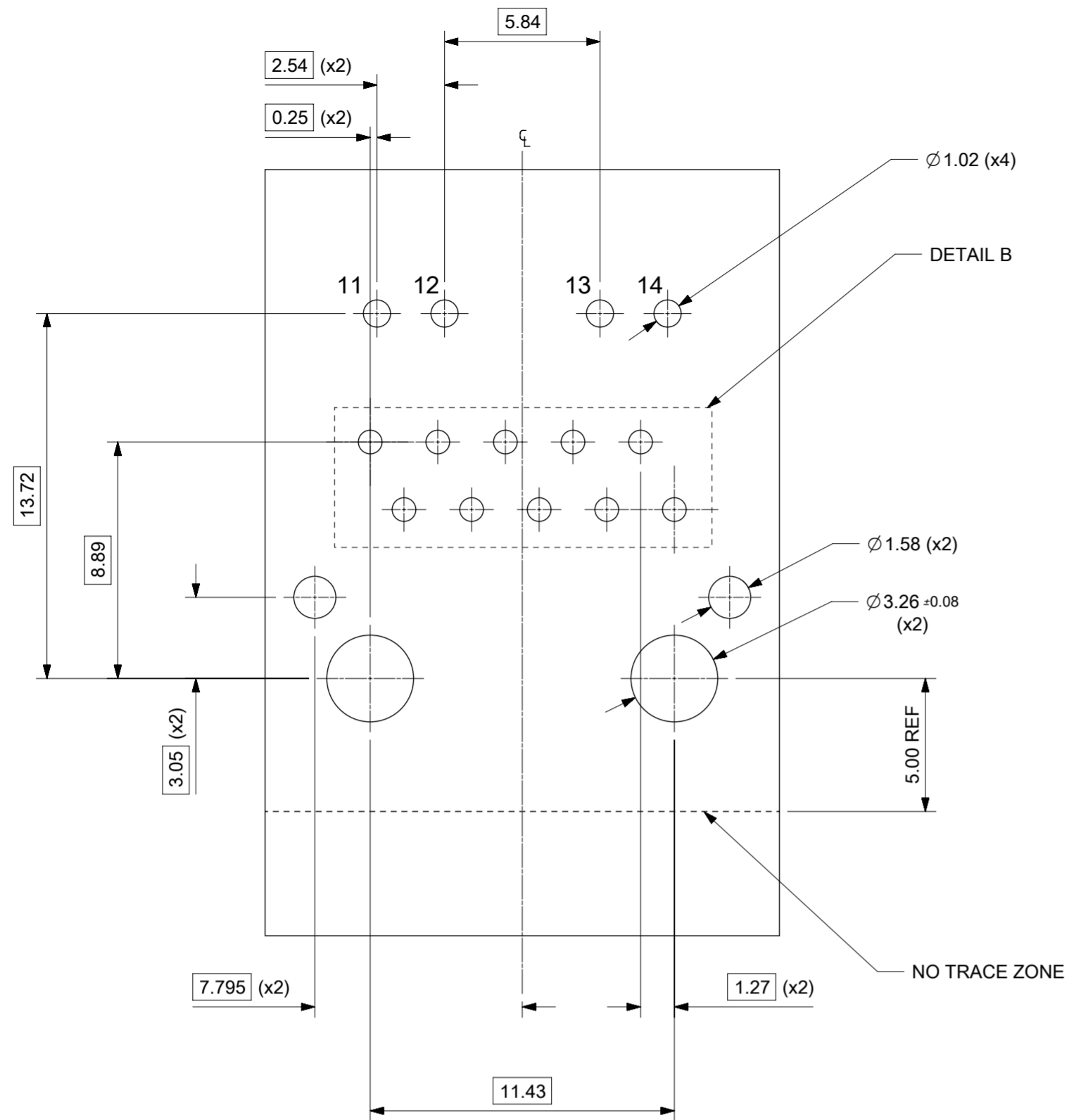
- 1 - SHIELD MATERIAL: 0.17MM THICK BRASS PRE-PLATED WITH NICKEL.  
SOLDER TABS POST DIPPED WITH MIN. 1.27µm TIN
- 2 - HOUSING MATERIAL: LCP, BLACK, UL 94V-0
- 3 - TERMINALS MATERIAL: PHOSPHOR BRONZE  
RJ45 CONTACT PLATING: BASE NICKEL, GOLD FLASH OVER PALLADIUM NICKEL  
PHY SOLDER TAILS: COPPOR ALLOY REFER TO 934620001 PSP
- 4 - MATING INTERFACE ACCORDING TO IEC 60603-7 & TIA-1096-A
- 5 - PRODUCT SPECIFICATION: 934620001 PSP
- 6 - PACKAGING SPECIFICATION: 934620001 PSK TRAY
- 7 - STAND OFF TO SYSTEM BOARD 0.30 mm MIN
- 8 - RECOMMENDED PCB THICKNESS: 1.57 mm REF
- 9 - SHIELD: AVOID ROUTING TRACES  
OR PLACING ANY VIAS BELOW THESE AREAS.
- 10 - AREA FOR PICK & PLACE: 5.0 mm x 8.0 mm
- 11 - INSCRIPTION MARKED BY LASER:  
1st : MOLEX  
2nd : P/N (SEE BOM)
- 12 - INSCRIPTION MARKED BY LASER:  
DATA CODE (DAY/WEEK/YEAR)
- 13 - MATERIAL COMPLIANT TO ROHS DIRECTIVE 2002/95/EC



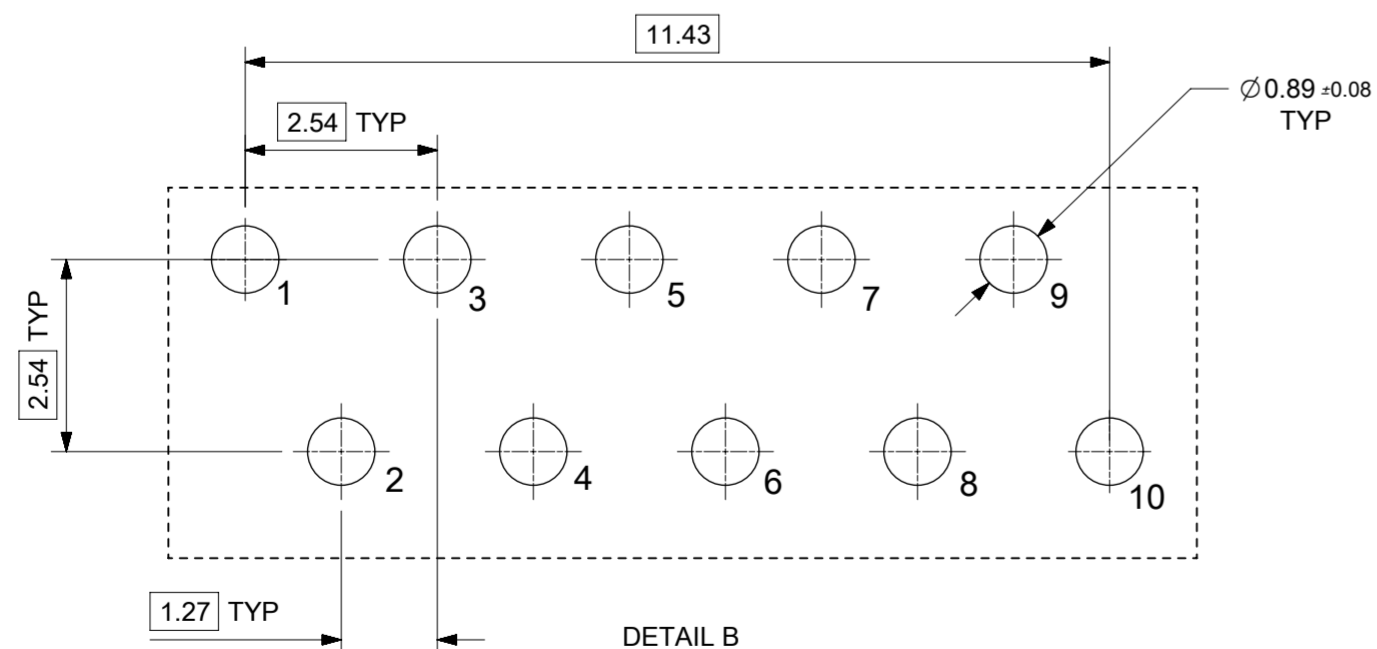
SUGGESTED PANEL CUT-OUT



THIS DRAWING CONTAINS INFORMATION THAT IS PROPRIETARY TO MOLEX ELECTRONIC TECHNOLOGIES, LLC AND SHOULD NOT BE USED WITHOUT WRITTEN PERMISSION												
UPDATED MAGBOX + 2KV EC NO: 114109 DRWN: SBRENNAN CHKD: DBYRNES APPR: STGRIFFIN	2017/02/21	2017/04/14	2017/04/25	GENERAL TOLERANCES (UNLESS SPECIFIED)	DIMENSION UNITS	SCALE						
				ANGULAR TOL ± 2.0 °	MM	3:1						
	4 PLACES	±	KREILLY		DATE	2015/09/28						
	3 PLACES	±	CH'D BY		DATE							
	2 PLACES	±	DBYRNES		DATE	2016/09/19						
1 PLACE	±	STGRIFFIN		DATE	2016/01/07							
0 PLACES	±	DRAWING SIZE		THIRD ANGLE PROJECTION			PRODUCT CUSTOMER DRAWING		SERIES	MATERIAL NUMBER	CUSTOMER	
DRAFT WHERE APPLICABLE MUST REMAIN WITHIN DIMENSIONS		A2				93628		SEE TABLE ON SHEET 2		GENERAL MARKET		
						DOCUMENT NUMBER		DOC TYPE		DOC PART SHEET NUMBER		
						936280001		PSD		000 1 OF 3		



SUGGESTED BOARD LAYOUT  
GIGABIT ETHERNET  
VIEW FROM COMPONENT SIDE  
ALL DIMS ARE REFERENCE



DETAIL B  
SCALE 10:1

PIN CONFIGURATION  
FOR GIG ETHERNET

PART NUMBER	LEFT LED	RIGHT LED
936283721	GREEN	GREEN
936283725	GREEN	GREEN/YELLOW

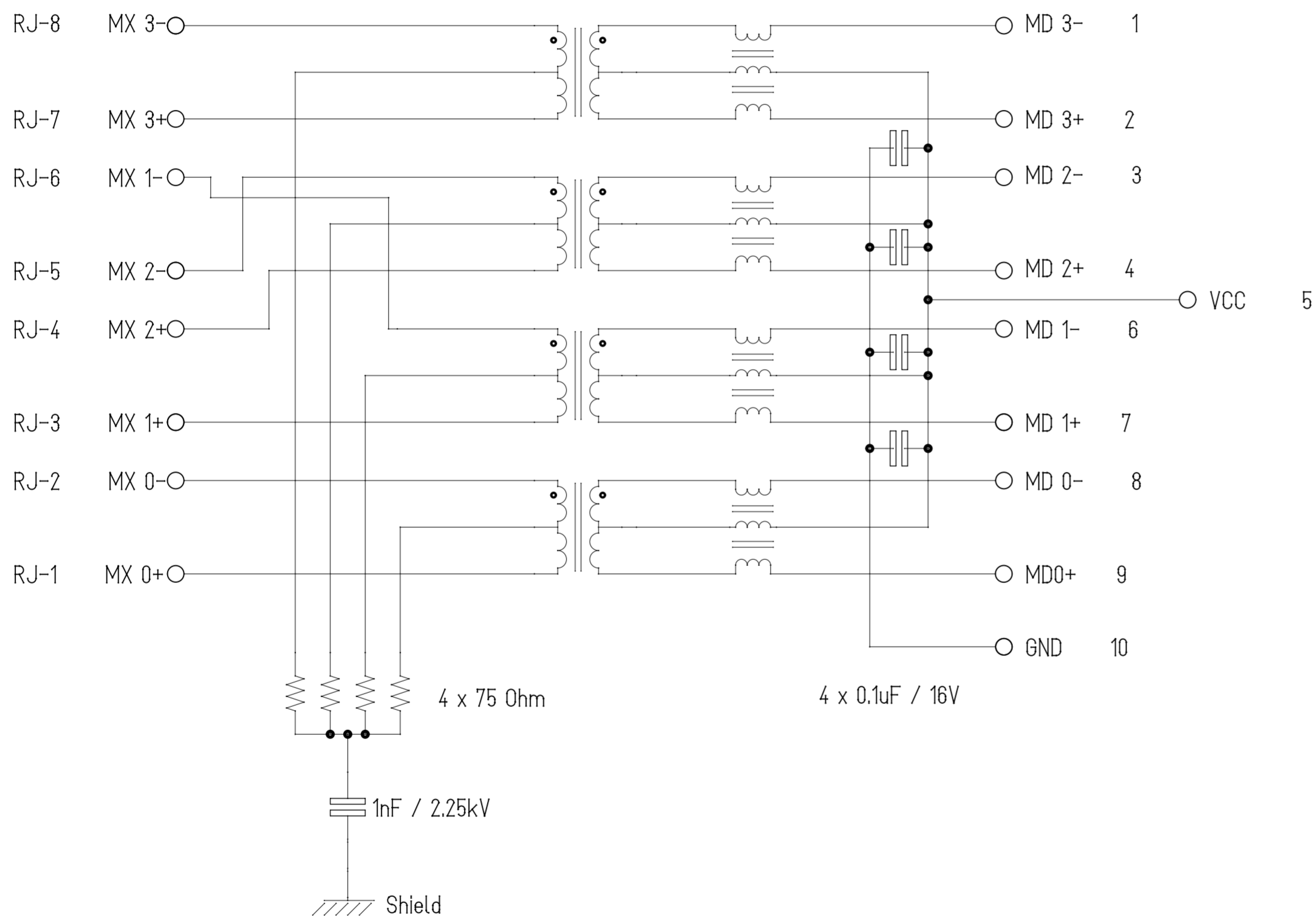
THIS DRAWING CONTAINS INFORMATION THAT IS PROPRIETARY TO MOLEX ELECTRONIC TECHNOLOGIES, LLC AND SHOULD NOT BE USED WITHOUT WRITTEN PERMISSION										
UPDATED MAGBOX + 2KV EC NO: 114109 DRWN: SBRENNAN CHKD: DBYRNES APPR: STGRIFFIN	2017/02/21	2017/04/14	2017/04/25	GENERAL TOLERANCES (UNLESS SPECIFIED)	DIMENSION UNITS	SCALE				
				ANGULAR TOL ± 2.0 °	MM	5:1				
	4 PLACES ±	KREILLY		DATE	2015/09/28		1" MXMAG 8 CORE GIG COM			
	3 PLACES ±	CHK'D BY		DATE	2016/09/19					
	2 PLACES ± 0.1	APPR BY		DATE	2016/01/07		PRODUCT CUSTOMER DRAWING			
1 PLACE ± 0.2	STGRIFFIN				SERIES	MATERIAL NUMBER	CUSTOMER			
0 PLACES ±	DRAFT WHERE APPLICABLE MUST REMAIN WITHIN DIMENSIONS		DRAWING SIZE	THIRD ANGLE PROJECTION	A2	93628	SEE TABLE ON SHEET 2	GENERAL MARKET		
					DOCUMENT NUMBER		DOC TYPE		DOC PART	SHEET NUMBER
					936280001		PSD		000	2 OF 3

RJ-45 CONTACTS

WIRE-SIDE / RJ-45

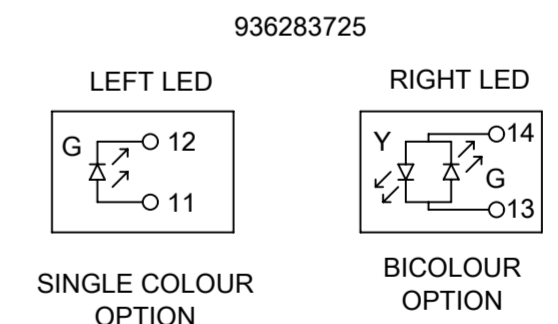
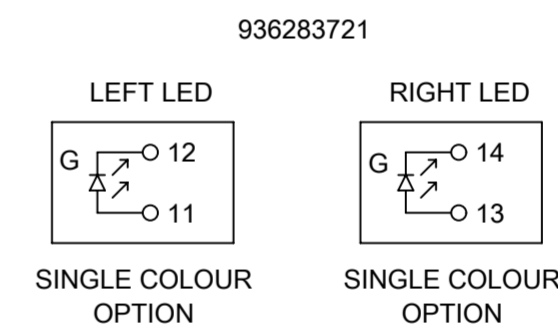
ETHERNET MAGNETICS

PHY-SIDE / PCB SIDE



Description	Value	
OCL @100 kHz, 0.1 V, 8 mA DC bias 0°C to + 70°C)	350 μH min.	
Turns ratio	1CT:1CT	
Transmission characteristics @ 25°C, all four pairs		
Insertion Loss		
Frequency (MHz)	Limits (dB max.)	Typical Values (dB max.)
1.0-9.9 MHz	0.4+0.1*log(F)	0.5 @ 10 MHz
10-49.9 MHz	0.5+0.3*log(F/10)	0.7 @ 50 MHz
50-79.9 MHz	1+1.4*log(F/80)	1.0 @ 80 MHz
80-100 MHz	1.3+3*log(F/100)	1.3 @ 100 MHz
Return Loss		
Frequency (MHz)	Limits (dB min.)	Typical Values (dB min.)
1.0-39.9 MHz	18	18 @ 40 MHz
40-100 MHz	12-20*log(F/80)	10 @ 100 MHz
CMR		
Frequency (MHz)	Limits (dB min.)	Typical Values (dB min.)
1.0-100 MHz	30	30 @ 100 MHz
Next		
Frequency (MHz)	Limits (dB min.)	Typical Values (dB min.)
1.0-39.9 MHz	35	35 @ 40 MHz
40-100 MHz	33-20*log(F/50)	27 @ 100 MHz
Isolation PHY to wire side	2.25 kVDC / 60 s	

ETHERNET TERMINALS



THIS DRAWING CONTAINS INFORMATION THAT IS PROPRIETARY TO MOLEX ELECTRONIC TECHNOLOGIES, LLC AND SHOULD NOT BE USED WITHOUT WRITTEN PERMISSION

UPDATED MAGBOX + 2KV EC NO: 114109 DRWN: SBRENNAN CHKD: DBYRNES REV APPR: STGRIFFIN	2017/02/21	2017/04/14	2017/04/25	GENERAL TOLERANCES (UNLESS SPECIFIED)	DIMENSION UNITS	SCALE			
				ANGULAR TOL ± 2.0 °	MM	1:1			
	4 PLACES	±		KREILLY	DATE	2015/09/28			
	3 PLACES	±		CHK'D BY	DATE				
2 PLACES	±	0.1	DBYRNES	DATE	2016/09/19	1" MXMAG 8 CORE GIG COM			
1 PLACE	±	0.2	STGRIFFIN	DATE	2016/01/07				
0 PLACES	±		DRAFT WHERE APPLICABLE MUST REMAIN WITHIN DIMENSIONS			PRODUCT CUSTOMER DRAWING			
DRAWING SIZE		THIRD ANGLE PROJECTION		SERIES		MATERIAL NUMBER		CUSTOMER	
A2				93628		SEE TABLE ON SHEET 2		GENERAL MARKET	
DOCUMENT NUMBER				DOC TYPE		DOC PART		SHEET NUMBER	
936280001				PSD		000		3 OF 3	