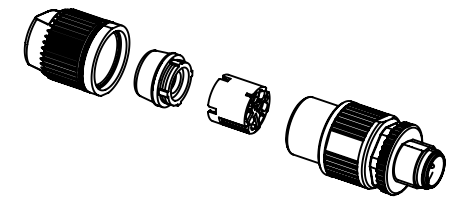
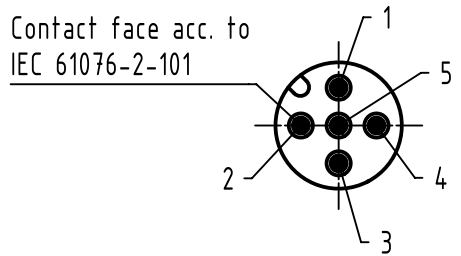
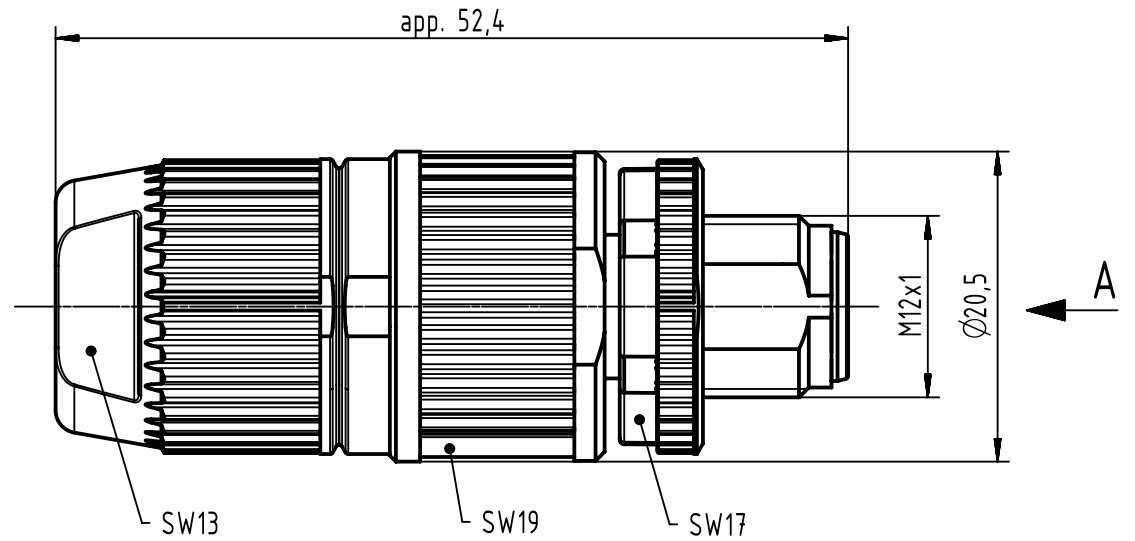
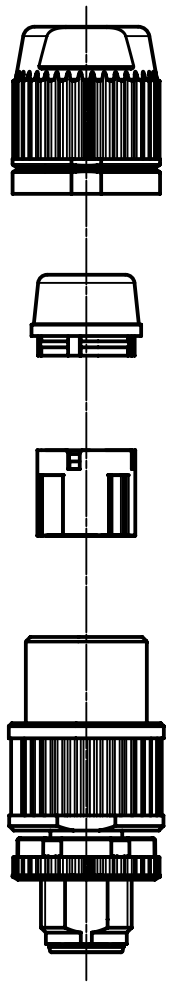


1 2 3 4 5 6

(1:1)



|                         |  |
|-------------------------|--|
| conductor cross section | 0.34mm <sup>2</sup> -0.5mm <sup>2</sup><br>AWG22-AWG20 |
| cable outside diameter  | 6.0 - 8.0mm  |

|  |   |             |                |                 |                                     |               |
|--|---|-------------|----------------|-----------------|-------------------------------------|---------------|
|  | All Dimensions in mm<br>Original Size DIN A4  | Scale       | Free size tol. |                 |                                     | Ref.          |
|  |   | 2:1         |                |                 |                                     | Sub.          |
| All rights reserved<br>Department EC PD - DE | HARTING Electronics GmbH<br>D-32339 Espelkamp | Created by  | Inspected by   | Standardisation | Date                                | State         |
|  |   | DYCKC       | EISFELD        | HOFFMANN        | 2017-07-20                          | Final Release |
| Title  |   |             |                |                 | Doc-Key / ECM-Nr.                   |               |
| HARTING M12-L male 5-pole A-coded            |   |             |                |                 | 100214822/UGD/003/A<br>500000122631 |               |
| Type   |   | Number      |                |                 | Rev.                                | Page          |
| TB   |   | 21032721505 |                |                 | A                                   | 1/1           |