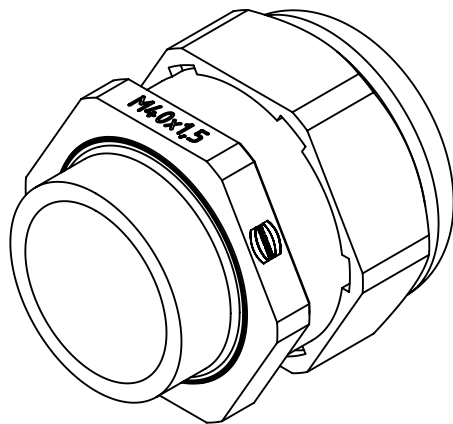
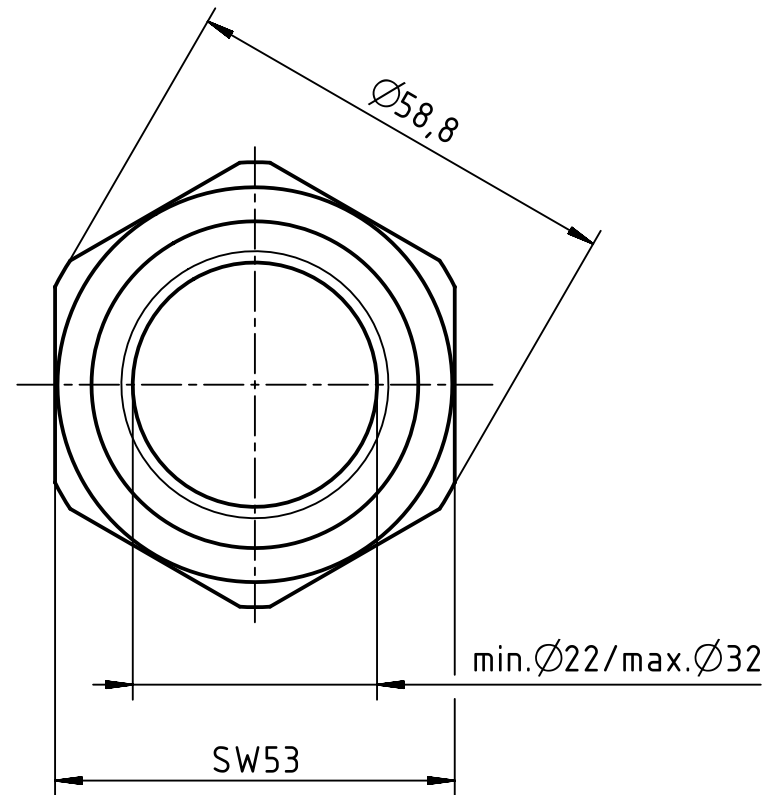


O-Ring included



	All Dimensions in mm Original Size DIN A4		Scale 1:1	Free size tol.		Ref.		
						Sub.		
	All rights reserved		Created by LONGL	Inspected by DINGB	Standardisation TIEMANNA	Date 2016-03-04	State Final Release	
	Department EL PD - DE		Title Han CGM-P M40x1,5 D.22-32mm grey				Doc-Key / ECM-Nr. 100091068/UGD/008/B 500000100783	
HARTING Electric GmbH & Co. KG D-32339 Espelkamp			Type TB	Number 19 00 000 5198			Rev. B	Page 1/1