

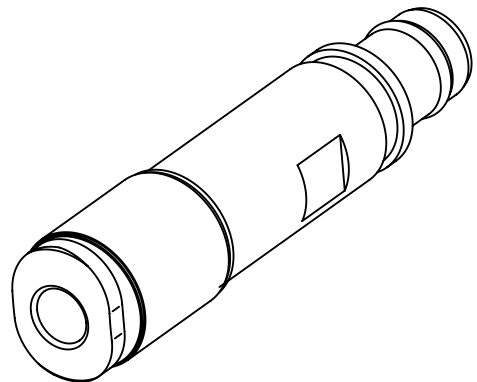
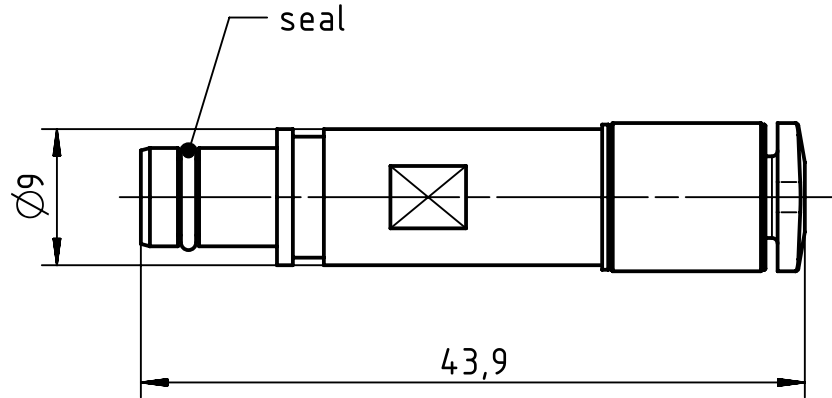
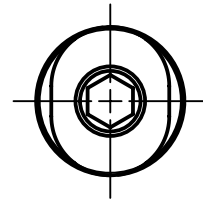
1 2 3 4 5 6


A

B

C

D



	All Dimensions in mm Original Size DIN A4		Scale 2:1	Free size tol.		Ref.	
	All rights reserved Department EL PD - DE		Created by MOELLERLI	Inspected by BEISCHER	Standardisation RUETERA	Date 2017-06-26	State Final Release
HARTING Electric GmbH & Co. KG D-32339 Espelkamp			Title Pneum. contact metal OD 4 male			Doc-Key / ECM-Nr. 100654612/UGD/001/D 500000121247	
			Type TB	Number 09 14 000 6354		Rev. D	Page 1/1