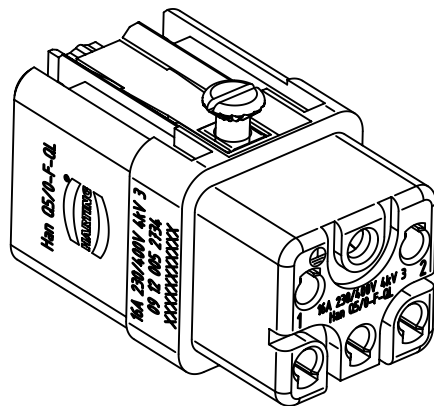
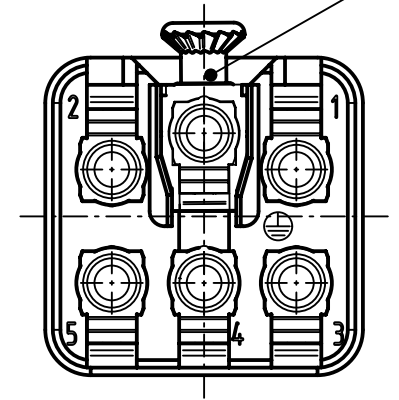


insert fixing screw M3x6
separately enclosed



Coating	A=	mm ²	V=	mm ³	m=	g	Mat.
	All Dimensions in mm Original Size DIN A4		Scale 2:1	Free size tol.			Ref. Sub. TB 09 12 005 2734 vom 21.10.11
	All rights reserved Department EL PD - DE	Created by FINKEV	Inspected by BERGHORN	Standardisation TIEMANNA	Date 2015-06-23	State Final Release	
HARTING Electric GmbH & Co. KG D-32339 Espelkamp		Title Han Q5/0 Insert female quick lock 1,5mm ²				Doc-Key / ECM-Nr. 10021604.7/UGD/002/B 500000089308	
		Type TB	Number 09 12 005 2734			Rev. B	Page 1/1