

**MICRO SWITCH**

FREEPORT ILLINOIS U.S.A.  
A DIVISION OF HONEYWELL

FED. MFG. CODE 91929

**SWITCH-BASIC**

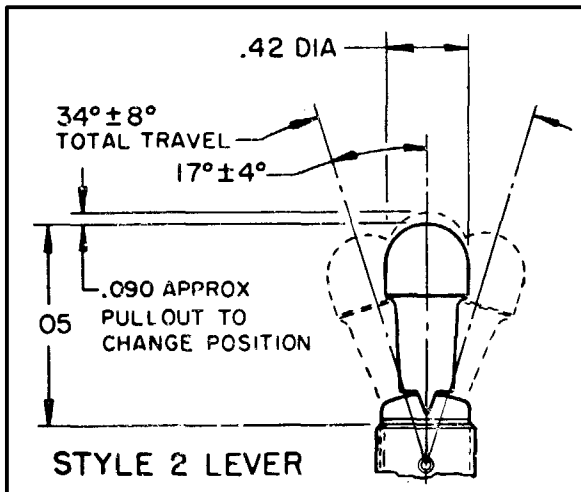
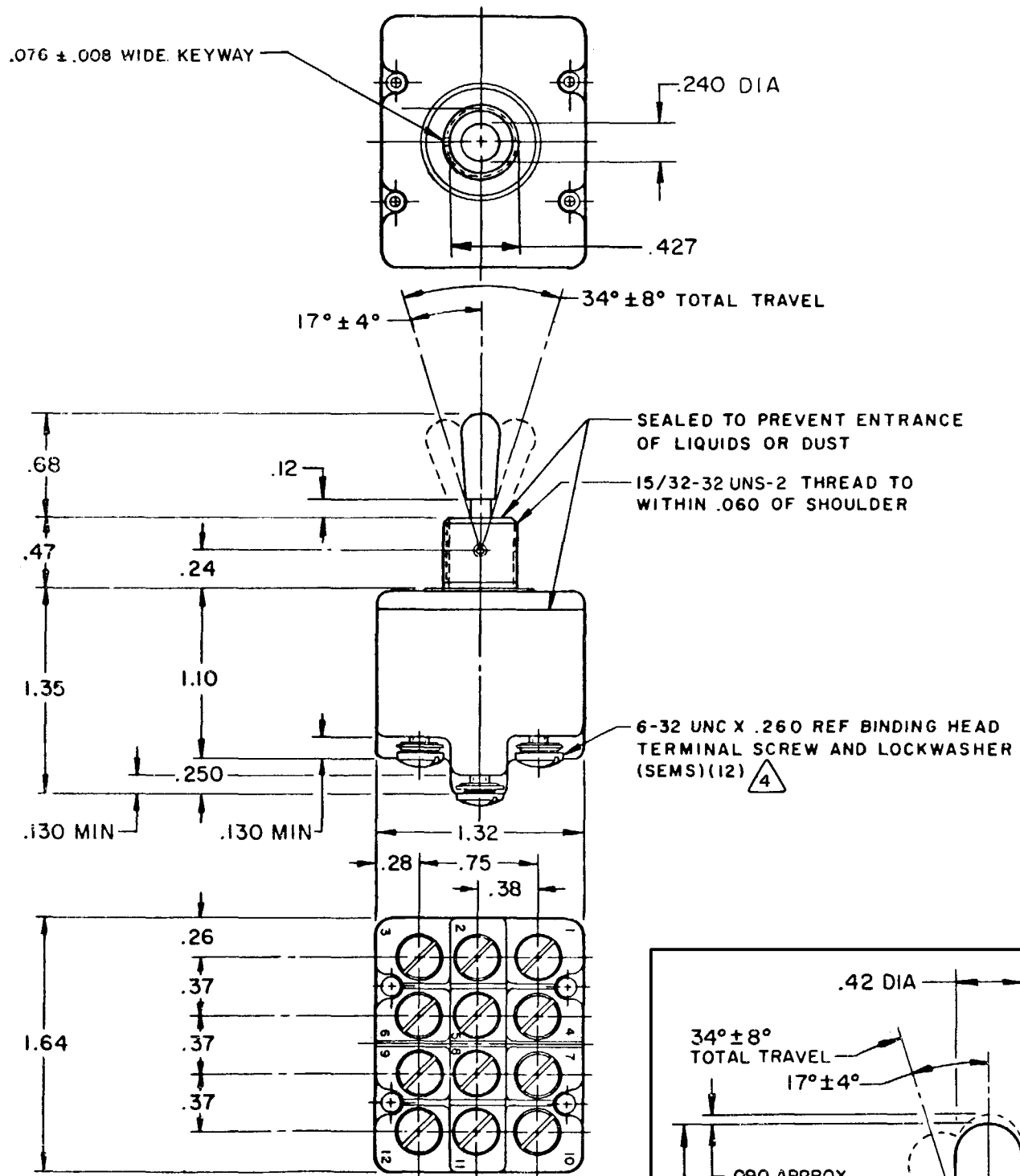
CATALOG LISTING

**4TL1-12 SERIES**

**CHART 1**

THIS DRAWING COVERS A PROPRIETARY ITEM AND IS THE PROPERTY OF MICRO SWITCH, A DIVISION OF MINNEAPOLIS-HONEYWELL REGULATOR CO. THIS DRAWING IS NOT TO BE COPIED OR USED WITHOUT THE APPROVAL OF MICRO SWITCH.

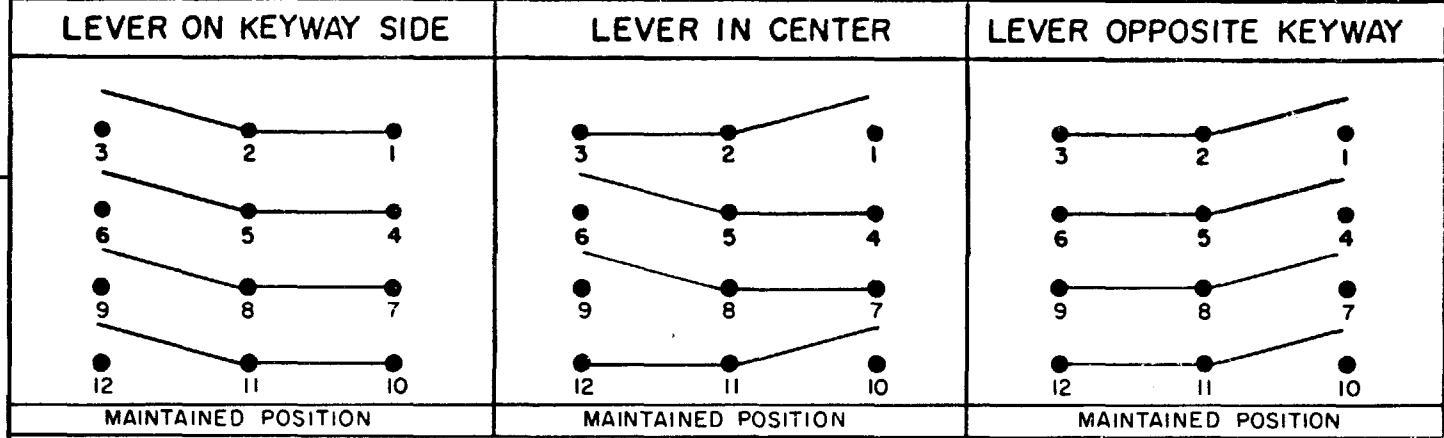
4TL1-12 SERIES CHART 1  
 PAGE 1 OF 1  
 DRAWING NUMBER M  
 ISSUE 9  
 REVISIONS  
 A CO-81150 J A K 20 JUN 95  
 B CO 94440 G R T 23 NOV 99  
 DRAWN MJB  
 CHECK L S D  
 DATE 16 SEPT 71  
 CHECK EFB  
 DATE 20 SEPT 71  
 CHECK 71  
 DATE 20 SEPT 71  
 RELEASE NO. PR-2093  
 REPLACES



L191 15A 125, 250, 277 VAC  
 1/2HP 125 VAC  
 1HP 250, 277 VAC  
 5A 125 VAC "L"



CAT. LIST.	AVAILABLE LOCKING COMBINATIONS FOR CONFIGURATION SEE LETTERED DETAILS	STYLE NO.	MILITARY RATING (AMPS)										MS NUMBER							
			RESISTIVE LOAD DC VOLTS		AC VOLTS		LAMP LOAD		INDUCTIVE LOAD		CONTINUOUS									
			28	125	250	125	250	28 VDC	125 VAC	28 VDC		125 VAC								
4TL1-12	NONE	1											27406-1							
△ 4TL1-12	A,B, D,E,F,G,H,J,K,L,M,N,P	2	20	.75	.5	15	6	5	4	12	15		27409-1 △							
"A"	LOCKED IN THREE POSITIONS		"E"		"F"		"G"		"H"		"J"		"K"		"L"		"M"		"N"	
"B"	LOCKED IN CENTER AND EXTREME POSITION (KEYWAY SIDE)		"E"		"F"		"G"		"H"		"J"		"K"		"L"		"M"		"N"	
"D"	LOCKED OUT OF CENTER POSITION		"E"		"F"		"G"		"H"		"J"		"K"		"L"		"M"		"N"	
"E"	LOCKED IN CENTER POSITION		"E"		"F"		"G"		"H"		"J"		"K"		"L"		"M"		"N"	
"F"	LOCKED IN EXTREME POSITION (OPPOSITE KEYWAY)		"E"		"F"		"G"		"H"		"J"		"K"		"L"		"M"		"N"	
"G"	LOCKED IN EXTREME POSITION (KEYWAY SIDE)		"E"		"F"		"G"		"H"		"J"		"K"		"L"		"M"		"N"	
"H"	LOCKED OUT OF CENTER AND EXTREME POSITION (KEYWAY SIDE)		"E"		"F"		"G"		"H"		"J"		"K"		"L"		"M"		"N"	
"J"	LOCKED OUT OF CENTER AND EXTREME POSITION (OPPOSITE KEYWAY)		"E"		"F"		"G"		"H"		"J"		"K"		"L"		"M"		"N"	
"K"	LOCKED IN CENTER AND EXTREME POSITION (OPPOSITE KEYWAY)		"E"		"F"		"G"		"H"		"J"		"K"		"L"		"M"		"N"	
"L"	LOCKED OUT OF EXTREME POSITION (KEYWAY SIDE)		"E"		"F"		"G"		"H"		"J"		"K"		"L"		"M"		"N"	
"M"	LOCKED OUT OF AND INTO EXTREME POSITION (OPPOSITE KEYWAY)		"E"		"F"		"G"		"H"		"J"		"K"		"L"		"M"		"N"	
"N"	LOCKED OUT OF EXTREME POSITION (OPPOSITE KEYWAY)		"E"		"F"		"G"		"H"		"J"		"K"		"L"		"M"		"N"	
"P"	LOCKED OUT OF AND INTO EXTREME POSITION (KEYWAY SIDE)		"E"		"F"		"G"		"H"		"J"		"K"		"L"		"M"		"N"	
			.47 DIA .018 REF LOCKWASHER		.05 .110 .392 LOCKING RING		15/32-32 UNS-2 THREAD .078 .56 HEX NUT (2)													



**NOTES**  
 1 - SWITCHES ARE CAPABLE OF WITHSTANDING A TEMPERATURE OF 160°F CONTINUOUSLY AT FULL RATED LOAD  
 2 - CIRCUIT DESIGNATION AND MICRO SWITCH CATALOG LISTING MARKED ON SIDE OF SWITCH  
 △ 3 KEYWAY SHOWN ON LEFT SIDE  
 △ 4 FURNISHED UNASSEMBLED  
 5 - FOR TERMINAL COVER SEE MICRO SWITCH CATALOG LISTING 5PA9  
 △ 6 SUFFIX LETTER MUST BE ADDED FOR DESIRED TYPE TOGGLE LOCKING. SEE CHART FOR AVAILABLE LOCKING COMBINATIONS

SCALE FULL  
 DO NOT SCALE PRINT  
 UNLESS OTHERWISE NOTED  
 DIMENSIONS ARE IN INCHES  
**TOLERANCES ARE:**  
 ONE PLACE (.01) ± .030  
 TWO PLACE (.00) ± .015  
 THREE PLACE (.000) ± .005  
 ANGLES  
 WEIGHT