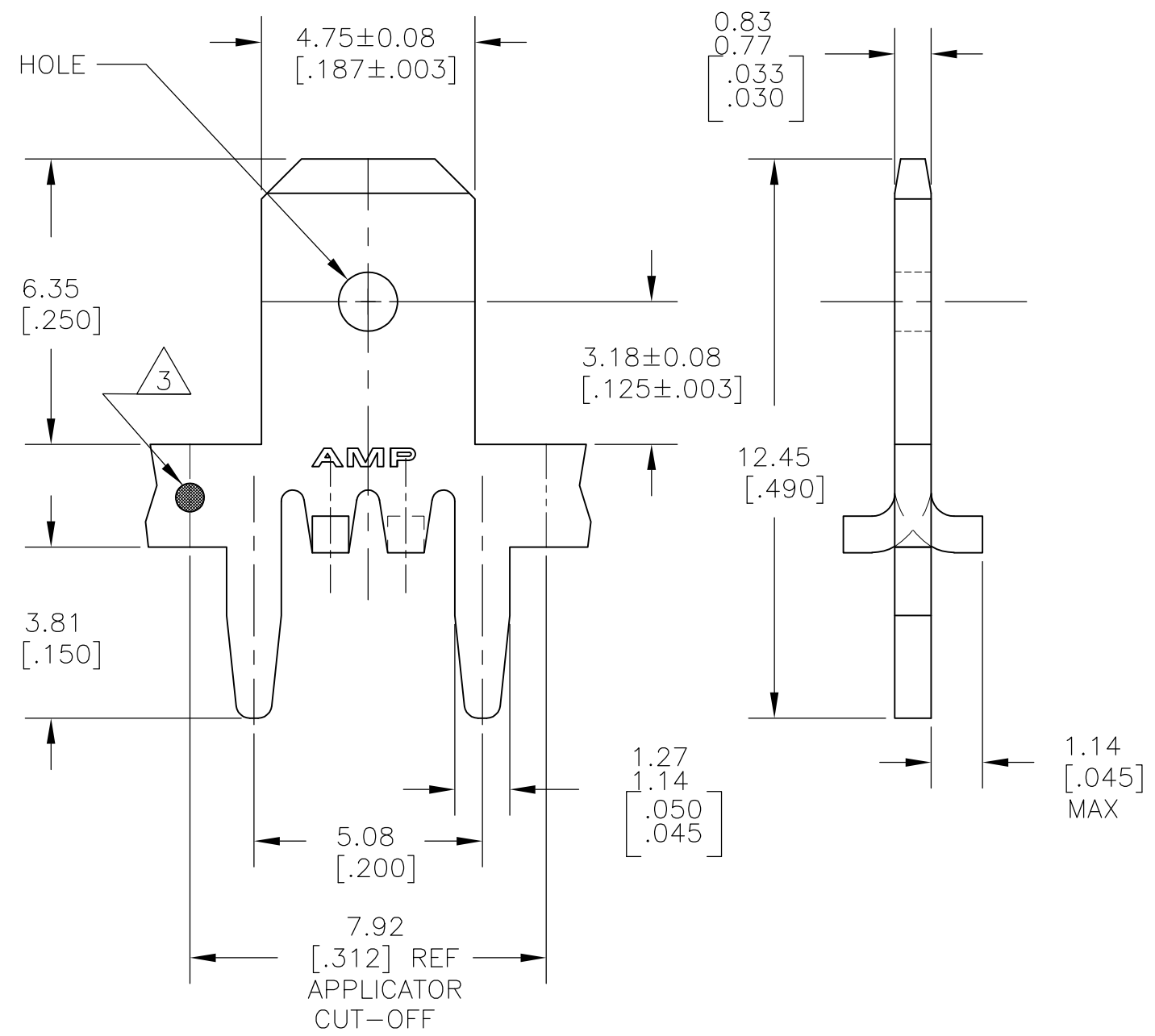
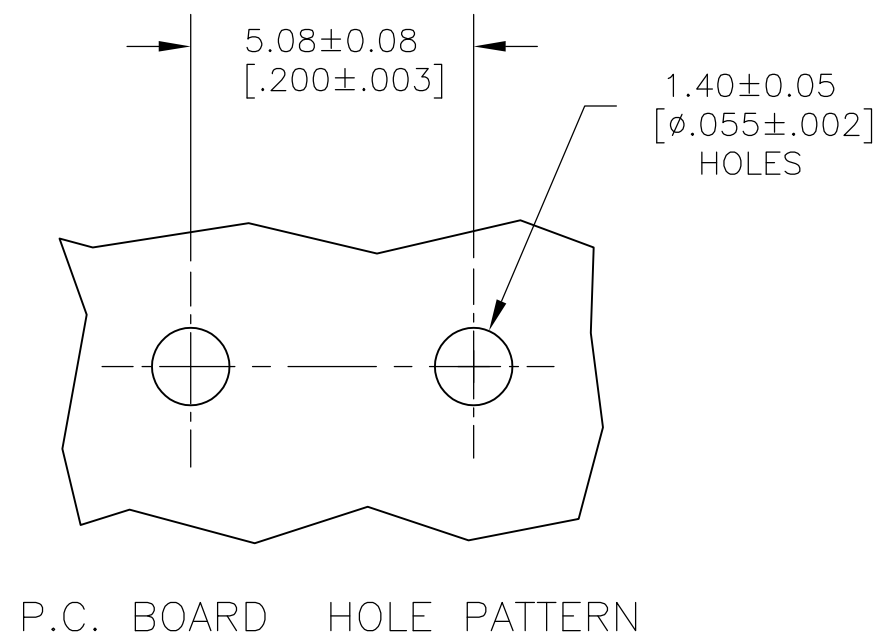


LOC	DIST	REVISIONS					
AF	50	P	LTR	DESCRIPTION	DATE	DWN	APVD
		G		REVISED PER ECR-13-001204	27JUN13	KH	PD



- 1 CONTINUOUS STRIP ON REELS.
- 2 TIN PLATE 0.00381 [.000150] MIN OVER 0.00254 [.000100] MIN THK COPPER OR TIN PLATE 0.00381 [.000150] MIN OVER 0.00127 [.000050] MIN THK NICKEL.
- 3 OPTIONAL ID MARK, LOCATED APPROX AS SHOWN.



1217133-1
PART NO.

THIS DRAWING IS A CONTROLLED DOCUMENT.		DWN	JR RUTH	28MAR01	TE Connectivity NAME TAB, FASTON, P.C.BOARD 4.75 [.187]										
DIMENSIONS: mm[INCHES]		CHK	MS FEHER	28MAR01											
TOLERANCES UNLESS OTHERWISE SPECIFIED:		APVD	N DEIBERT	28MAR01											
0 PLC ± - 1 PLC ± - 2 PLC ± 0.25 [.010] 3 PLC ± - 4 PLC ± - ANGLES ± -		PRODUCT SPEC	-												
MATERIAL	BRASS	FINISH	2		APPLICATION SPEC	114-2115	SIZE	A3	CAGE CODE	00779	DRAWING NO	C-1217133	RESTRICTED TO	-	
					WEIGHT	-	CUSTOMER DRAWING			SCALE	8:1	SHEET	1 OF 1	REV	G