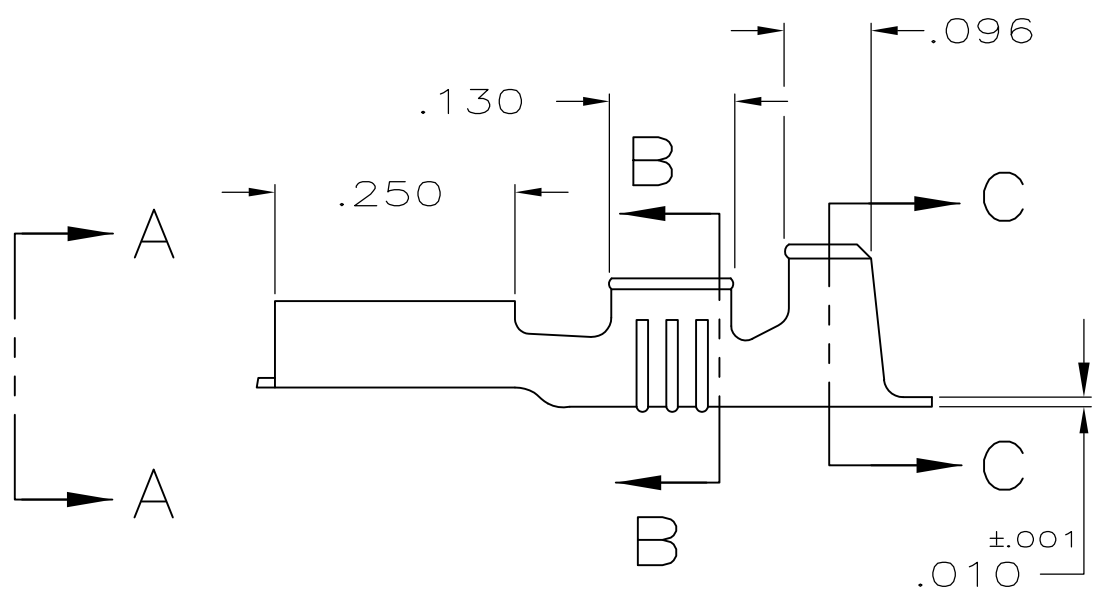
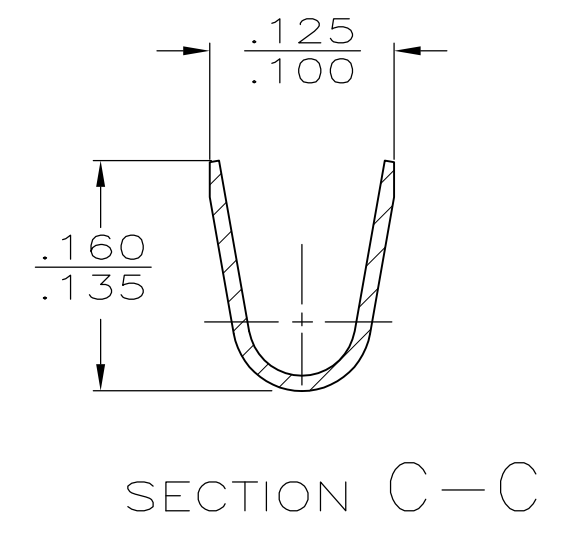
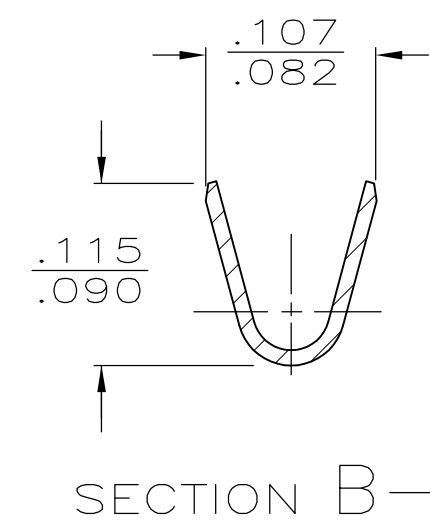
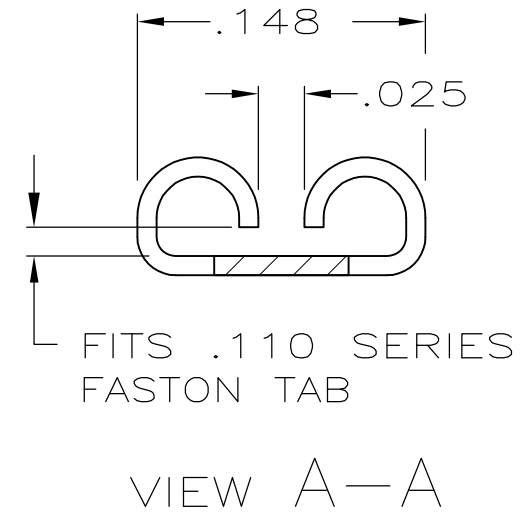
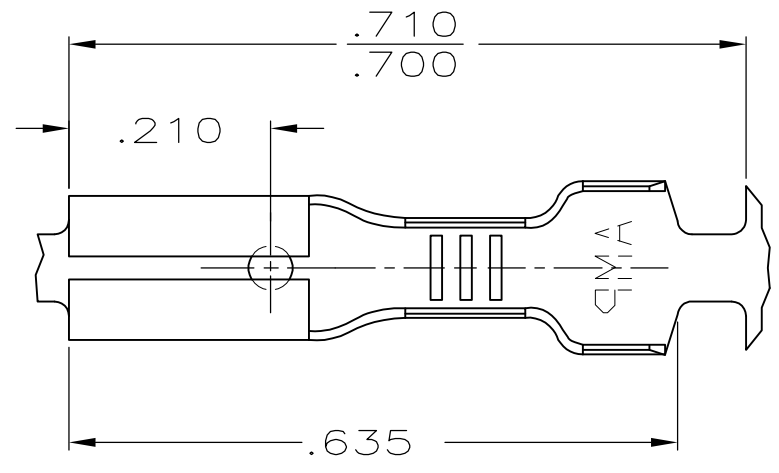


THIS DRAWING IS UNPUBLISHED. RELEASED FOR PUBLICATION
 © COPYRIGHT - By - ALL RIGHTS RESERVED.

LOC	DIST	REVISIONS			
P	LTR	DESCRIPTION	DATE	DWN	APVD
AF	50	AS1	REVISED PER ECR-14-004075	24MAR2014	NK RL

- 1 CONTINUOUS STRIP ON REELS.
- 2 PART TO BE PUT ON PLASTIC REELS.
- 3 FINISH LEAD-FREE, MATTE TIN OVER NICKEL



OBSOLETE	3	BRASS	.060-.100	22-18	.016	60118-5
	PRE-TIN	BRASS				60118-4/2
	SILVER	#4H PHOS BRZ				60118-2
	PRE-TIN	BRASS				60118-1
	FINISH	MATERIAL				INSUL RANGE

THIS DRAWING IS A CONTROLLED DOCUMENT.		DWN JR RUTH 6/23/87	TE Connectivity														
DIMENSIONS: INCHES		CHK G YETTER 6/23/87				NAME RECEPTACLE, FASTON,™ .110 SERIES											
TOLERANCES UNLESS OTHERWISE SPECIFIED:		APVD C MEYERS 6/23/87	PRODUCT SPEC														
<table border="0"> <tr><td>0 PLC</td><td>± -</td></tr> <tr><td>1 PLC</td><td>± -</td></tr> <tr><td>2 PLC</td><td>± -</td></tr> <tr><td>3 PLC</td><td>± .015</td></tr> <tr><td>4 PLC</td><td>± -</td></tr> <tr><td>ANGLES</td><td>± -</td></tr> </table>		0 PLC	± -	1 PLC	± -	2 PLC	± -	3 PLC	± .015	4 PLC	± -	ANGLES	± -	APPLICATION SPEC		SIZE	RESTRICTED TO
0 PLC	± -																
1 PLC	± -																
2 PLC	± -																
3 PLC	± .015																
4 PLC	± -																
ANGLES	± -																
MATERIAL SEE TABLE		FINISH SEE TABLE		WGT -	SCALE NTS												
CUSTOMER DRAWING			CAGE CODE A300779	DRAWING NO C-60118	SHEET 1 OF 1												
			REV AS1														