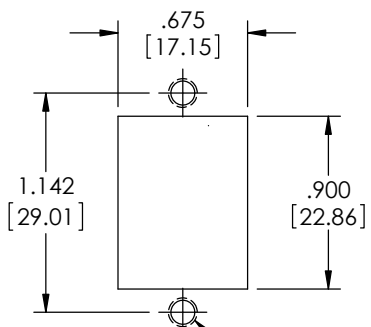
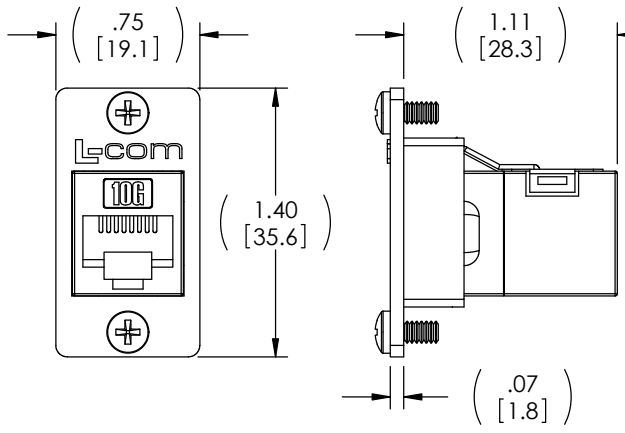


THE INFORMATION CONTAINED IN THIS DRAWING IS THE SOLE PROPERTY OF L-COM, INC. ANY REPRODUCTION IN PART OR WHOLE WITHOUT THE WRITTEN PERMISSION OF L-COM, INC. IS PROHIBITED.

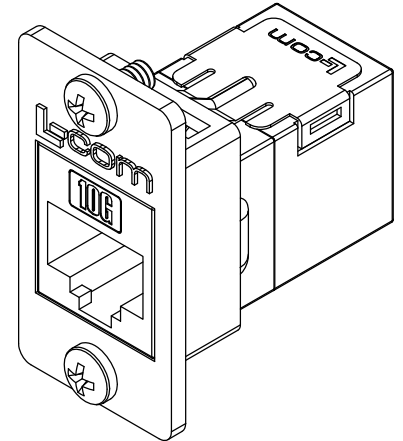
REVISIONS			
REV	DESCRIPTION	DATE	APPROVED
A	INITIAL RELEASE	9/13/12	D.GRIFFIN
B	ECN 6881: UPDATED COUPLER PICTORALLY AND UPDATED LOGO.	6/17/13	D_DESJARDIN



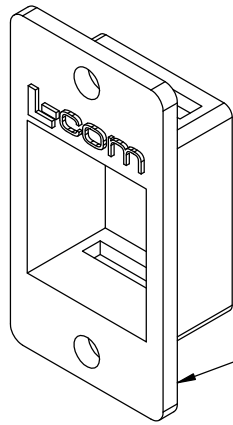
**RECOMMENDED
PANEL OPENING**



**CAT 6A SHIELDED RJ45 KEYSTONE COUPLER
(L-COM P/N: TDG1026KS-C6A)**



2X 4-40UNC-2A
X 1/4" LONG



FLANGE MOUNTED KEYSTONE ADAPTOR

**KIT SHOWN FULLY ASSEMBLED FOR CLARITY
(KIT IS SHIPPED UN-ASSEMBLED)**

- KIT INCLUDES:**
- 1- COUPLER
 - 1- FLANGE ADAPTOR
 - 1- PACKAGE MOUNTING SCREWS (4-40x 1/4")

B

NOTES:

MATERIAL:
FLANGED ADAPTOR: ZINC ALLOY
HARDWARE: STAINLESS STEEL.

FINISH:
FLANGED ADAPTOR: NICKEL PLATE.

MISCELLANEOUS:
CURRENT RATING: 1.5A

PACKAGING:
KITS SHALL BE INDIVIDUALLY PACKAGED IN ACCORDANCE WITH L-COM PACKAGING SPECIFICATION PS-0031.

REGULATORY COMPLIANCE:
ROHS, CE

UNLESS OTHERWISE SPECIFIED, DIMENSIONS ARE IN INCHES [mm] OVERALL CABLE LENGTH TOLERANCE: ≤12 [305] = +1 [25] / -0 >12 [305] ≤60 [1524] = +2 [51] / -0 >60 [1524] ≤120 [3048] = +4 [102] / -0 >120 [3048] ≤300 [7620] = +6 [152] / -0 >300 [7620] = +5% / -0% ALL OTHER DIMENSIONAL TOLERANCES: .X = ±.2 [5.08] .XX = ±.02 [51] .XXX = ±.005 [1.27]	APPROVALS DRAWN BY D.PARHAM CHECKED BY D.DESJARDIN APPROVED BY D.GALLAGHER	DATE 9/10/12 9/12/12 9/13/12	45 BEECHWOOD DRIVE NORTH ANDOVER, MA 01845	
	CONFIGURATION DETAILS OF UNDIMENSIONED FEATURES MAY VARY		CATEGORY TELECOM/MODULAR	
	COLOR VARIATIONS MAY OCCUR		PRODUCT DESCRIPTION CAT 6A SHLD RJ45 PNL CPLR KIT	
	PROJECTION 	SIZE A	FSCM NO. 43321	DWG. NO. ECF504-SC6A
SCALE: NONE		CAD FILE: ECF504-SC6A.SLDDRW		SHEET 1 OF 1

D

C

B

A

8 7 6 5 4 3 2 1