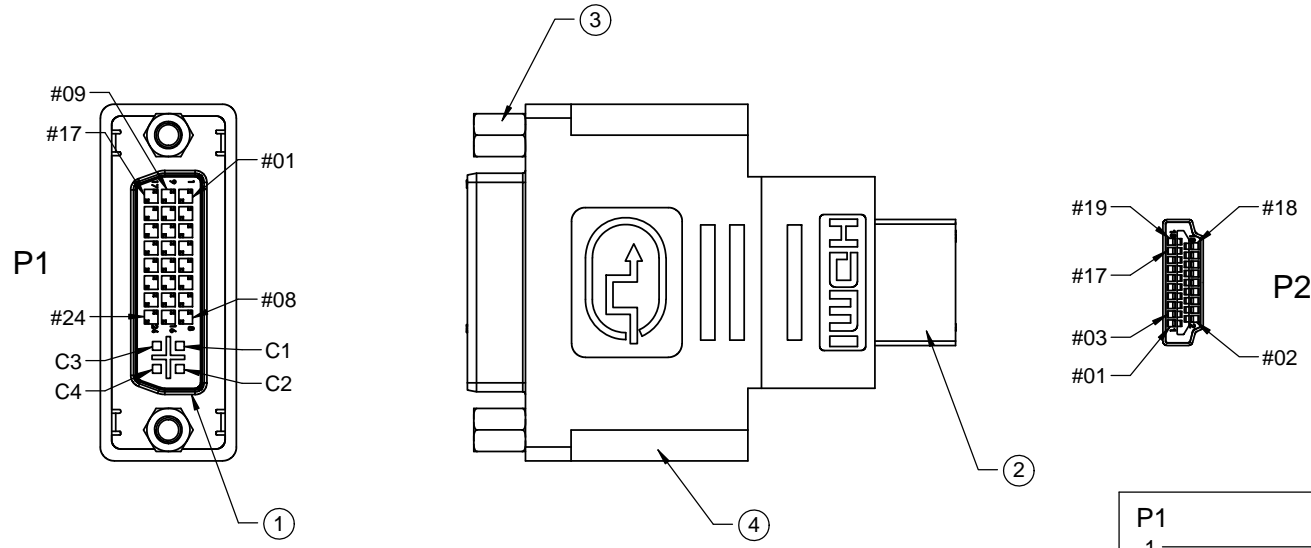


THE INFORMATION CONTAINED IN THIS DRAWING IS THE SOLE PROPERTY OF L-COM, INC. ANY REPRODUCTION IN PART OR WHOLE WITHOUT THE WRITTEN PERMISSION OF L-COM, INC. IS PROHIBITED.

| REVISIONS | | | |
|-----------|-----------------|----------|----------|
| REV | DESCRIPTION | DATE | APPROVED |
| A | INITIAL RELEASE | 07/07/17 | J.YOU |
| | | | |
| | | | |



PIN OUT

| P1 | P2 | P1 | P2 |
|----|----|----|----|
| 1 | 1 | 16 | 16 |
| 2 | 2 | 17 | 17 |
| 3 | 3 | 18 | 18 |
| 4 | 4 | 19 | 19 |
| 5 | 5 | 20 | 20 |
| 6 | 6 | 21 | 21 |
| 7 | 7 | 22 | 22 |
| 8 | 8 | 23 | 23 |
| 9 | 9 | 24 | 24 |
| 10 | 10 | C1 | C1 |
| 11 | 11 | C2 | C2 |
| 12 | 12 | C3 | C3 |
| 13 | 13 | C4 | C4 |
| 14 | 14 | C5 | C5 |
| 15 | 15 | S | S |

NOTES

- Electrical Properties:**
1. It should be no any open/short, miswiring and intermittent failures.
 2. The cable shall be 100% electrical test.
 3. Voltage test: DC 300V 10MS;
Insulation resistance: 5.0M ohm/min
Conductance resistance: 5.0 ohm/max

- Machinery Character:**
1. All dimension are "mm" except specified.
 2. The cable should be clean, free of oiled/flash/burred.
 3. Package: individually packaged in a clear polybag.
 4. Cable Ass'y shall be RoHS Compliant.

| Item | DESCRIPTION | UNIT | QT'Y |
|------|---|------|------|
| 4 | Outer molded: 45P PVC, Color:Black. | G | 10 |
| 3 | Screw: 3.0*37.0MM(#4-40UNC), nickel plated. | PCS | 2 |
| 2 | Conn: HDMI 19pin, male, insulaton black, pin gold flash. | PCS | 1 |
| 1 | P1Conn: DVI (24+5)pin, Female, insulaton black, shell & pin gold flash. | PCS | 1 |

| | | | |
|--|--|---------------------------|--|
| UNLESS OTHERWISE SPECIFIED, DIMENSIONS ARE IN INCHES [mm] | APPROVALS | DATE | SuZhou[®] Electronic Co.,Ltd |
| | DRAWN BY J.YOU | 07/07/17 | |
| | CHECKED BY B.GATES | 07/07/17 | |
| | APPROVED BY B.GATES | 07/07/17 | |
| DIMENSIONAL TOLERANCES: .X ± 1 [2.54] .XX ± 0.1 [2.5] .XXX ± 0.05 [1.3] | CONFIGURATION DETAILS OF UNDIMENSIONED FEATURES MAY VARY | | CATEGORY AUDIO/VIDEO |
| ANGULAR TOLERANCES: ANGLES: ±1° | COLOR VARIATIONS MAY OCCUR | | PRODUCT DESCRIPTION ADPTR DVI24+5 M TO HDMI M |
| PROJECTION | SIZE A | FSCM NO. 43321 | DWG. NO. VIC00008 |
| SCALE: NONE | | CAD FILE: VIC00008.SLDDRW | REV. A |
| SHEET 1 OF 1 | | | |