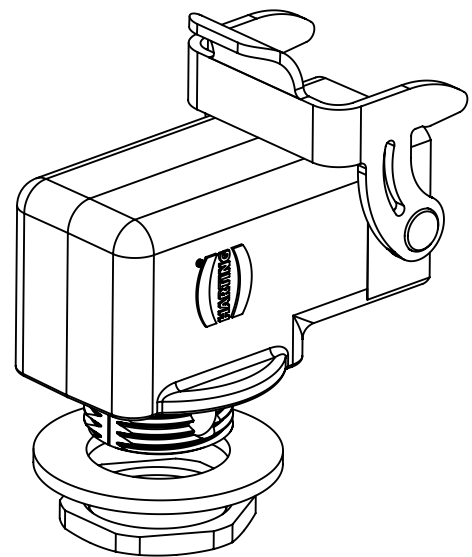
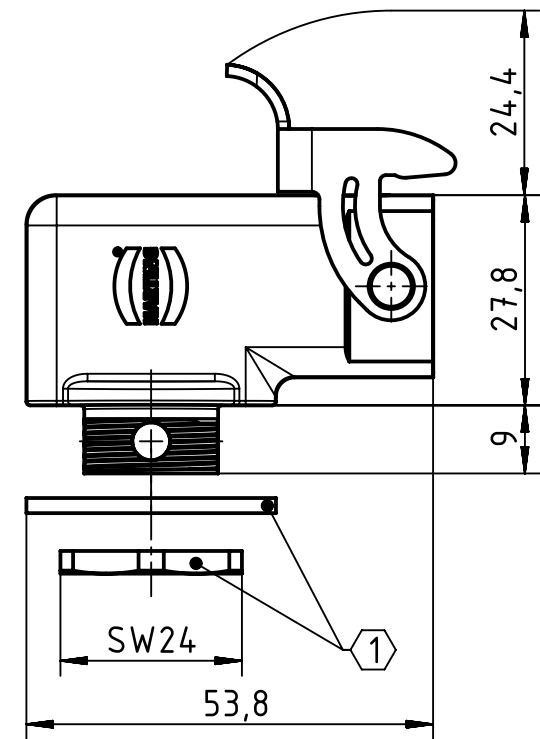
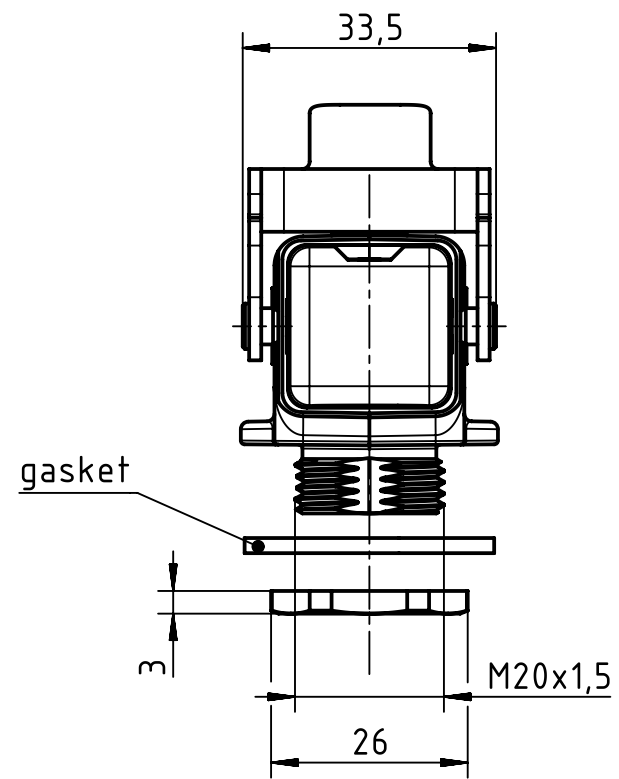
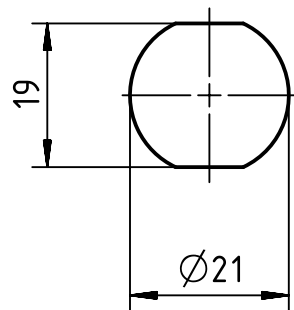


1:1
panel cut out



① enclosed separately

	All rights reserved Department EL PD - DE HARTING Electric GmbH & Co. KG D-32339 Espelkamp	All Dimensions in mm Original Size DIN A4		Scale 1:1	Free size tol.	Ref. Sub.
		Created by MOELLERLI	Inspected by BEISCHER	Standardisation TIEMANNA	Date 2017-11-06	State Final Release
Title Han 3A-Base angled-M20					Doc-Key / ECM-Nr. 100721093/UGD/001/C 500000126971	
Type TB			Number 19 20 003 1160		Rev. C	Page 1/1