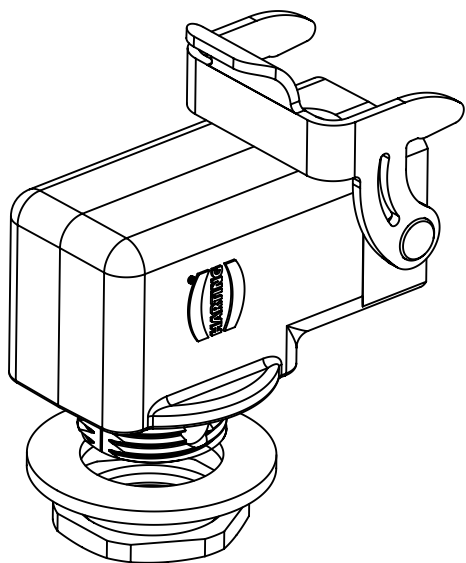
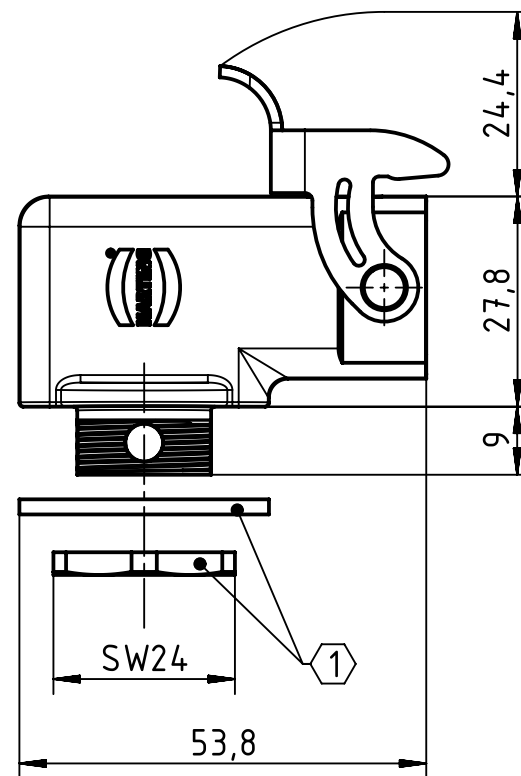
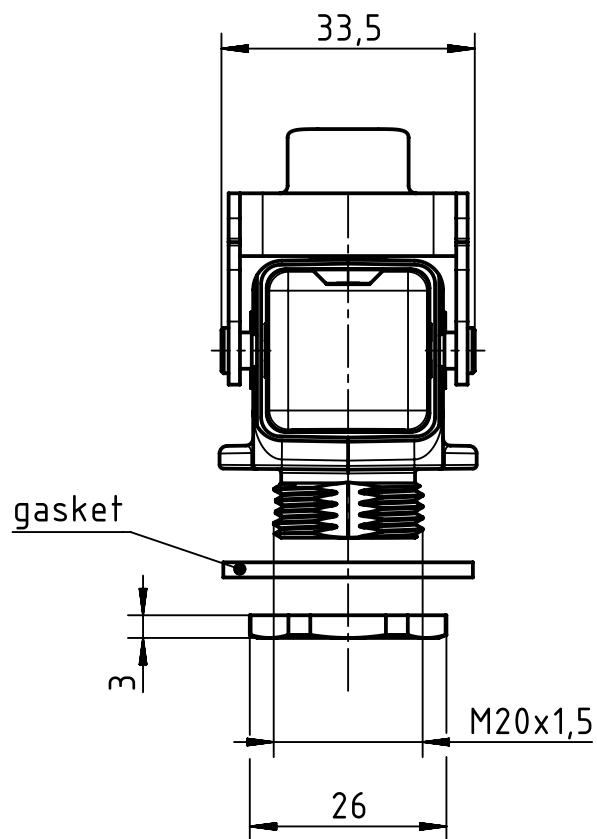
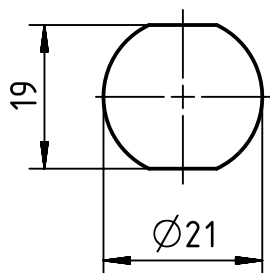


1:1
panel cut out



① enclosed separately

	All Dimensions in mm Original Size DIN A4	Scale 1:1		Free size tol.		Ref.		
		Created by MOELLERLI		Inspected by BEISCHER		Standardisation TIEMANNA		Date 2017-11-06
All rights reserved Department EL PD - DE		Title Han 3M-Base angled-M20		State Final Release		Doc-Key / ECM-Nr. 100722012/UGD/001/C 500000126971		
HARTING Electric GmbH & Co. KG D-32339 Espelkamp		Type TB		Number 19 37 003 1160		Rev. C		
							Page 1/1	