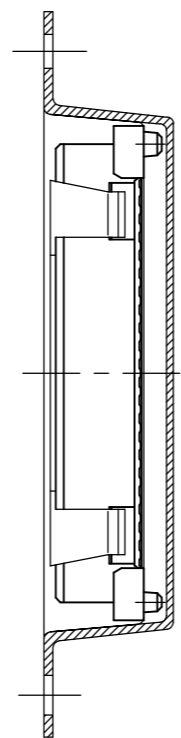
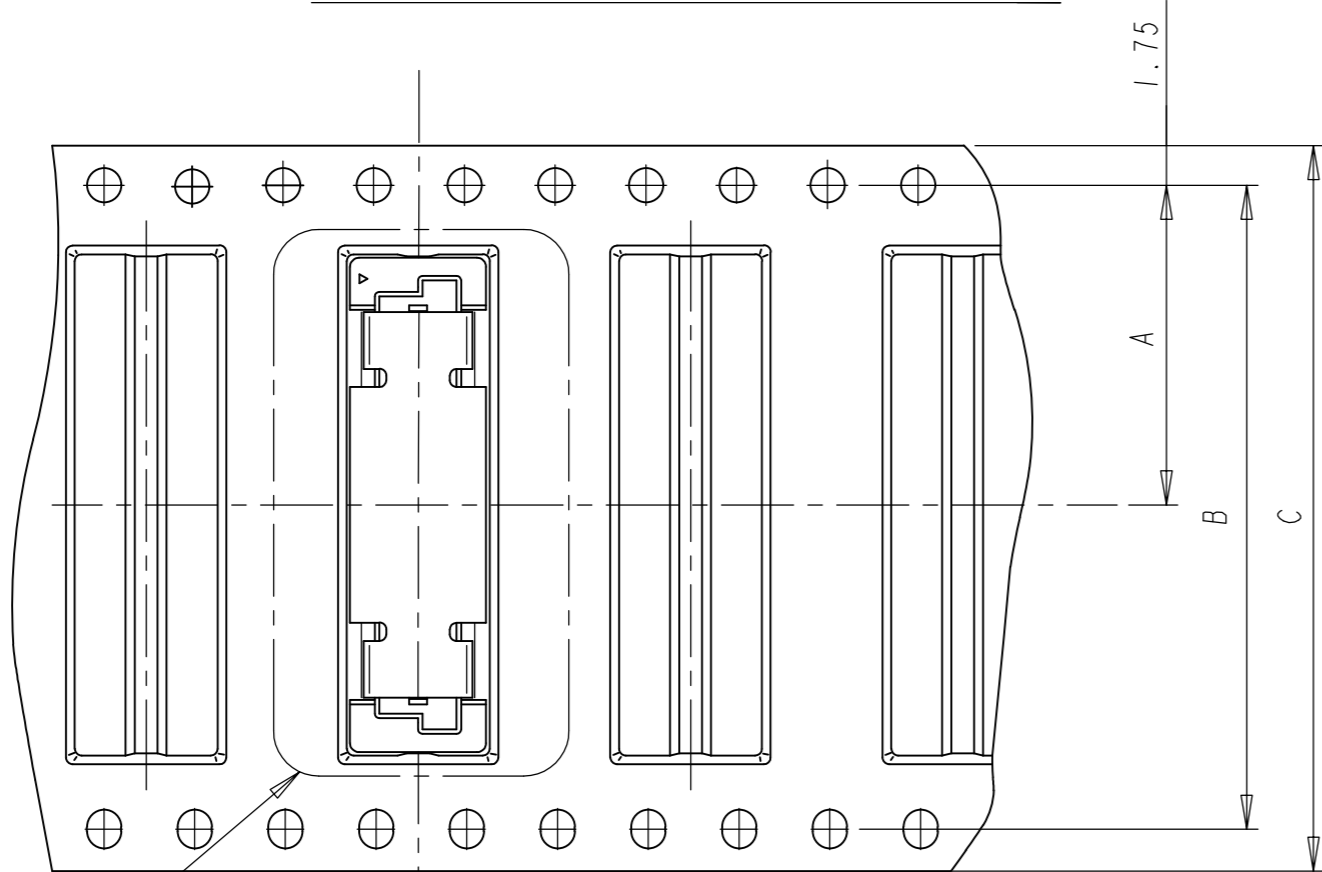


THIS DRAWING IS UNPUBLISHED. RELEASED FOR PUBLICATION
 © COPYRIGHT - TE Connectivity ALL RIGHTS RESERVED.

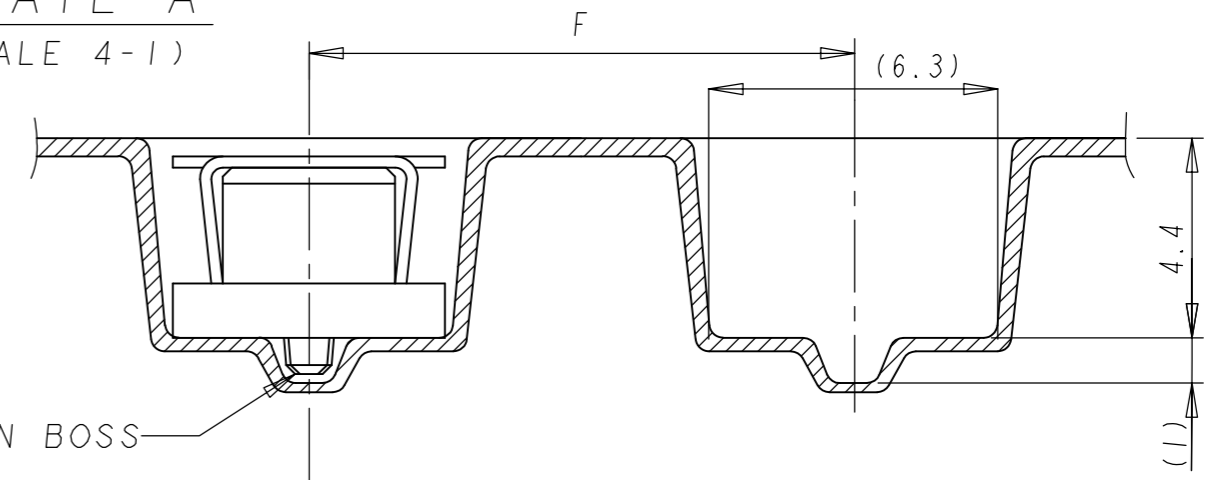
LOW HALOGEN

REVISIONS					
P	LTR	DESCRIPTION	DATE	DWN	APVD
P		ADD HALOGEN FREE MARK	02APR2015	I.T	W.H
R		REVISED PER ECO-17-005566	07AUG2017	B.J	S.Y
R1		REVISED PER ECO-17-018044	09SEP2017	R.L	H.L

DIRECTION OFF TOP OF REEL



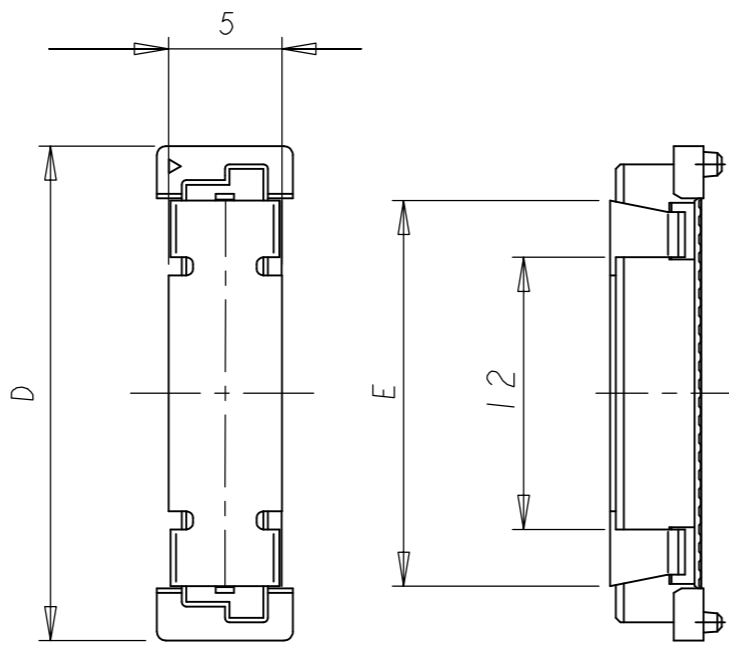
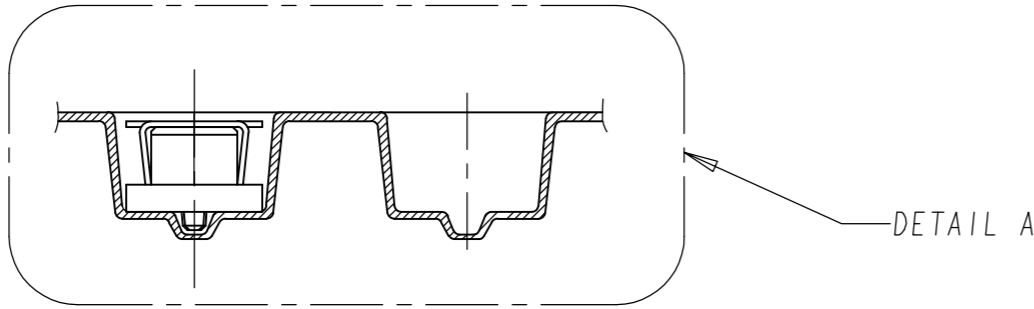
DETAIL A
(SCALE 4-1)



NOTES:

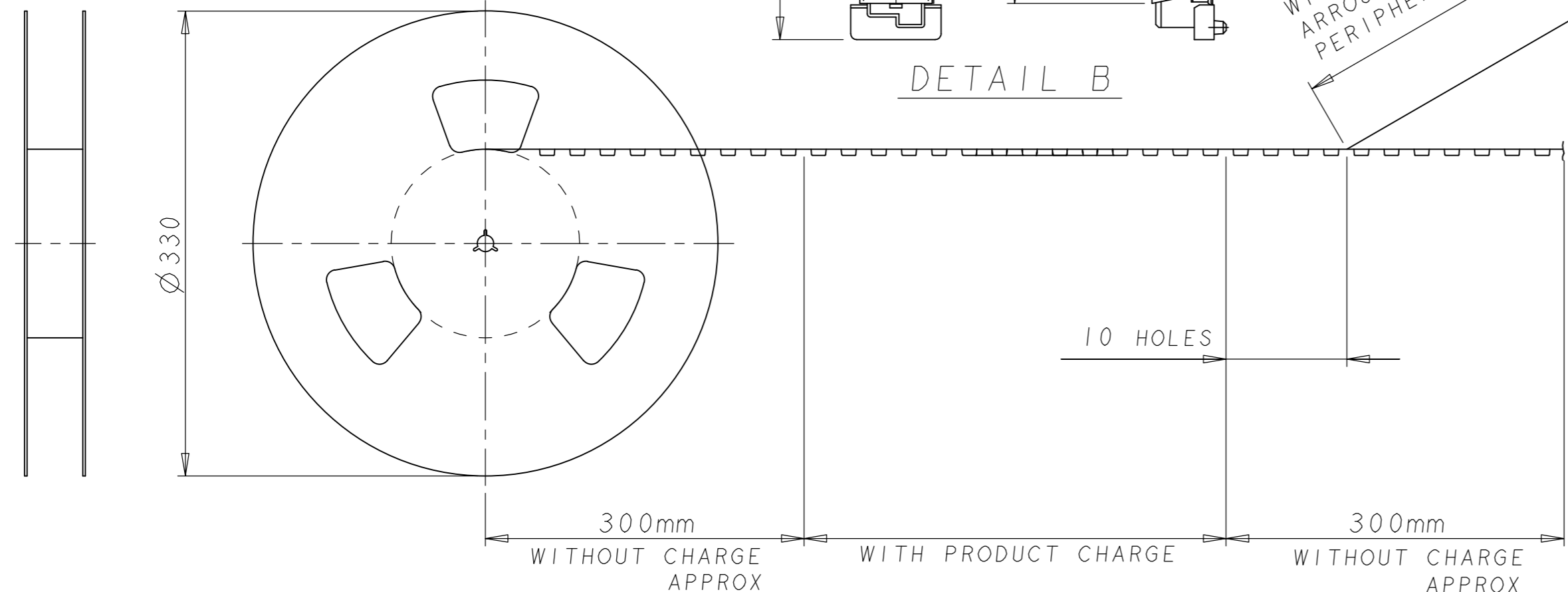
- 1 MATERIAL: HOUSING: L.C.P (HIGH TEMP THERMOPLASTIC UL 94V-0, NATURAL.
CONTACT: BERYLIUM COPPER.
- 2 FINISH: CONTACT AREA: 0.0002 MIN GOLD ON
0.0013 MIN ALL OVER NICKEL.
SOLDERING AREA: 0.002 MIN MATTE TIN.
- 3. POSITION SERIES: SEE TABLE.
- 4. CONN STACK HEIGHT COMBINE OF PLUG "Y"H VS REC "X"H.
STACK HEIGHT = Y + X - 5
- 5 FINISH: CONTACT AREA: 0.00038 MIN GOLD ON
0.0013 MIN ALL OVER NICKEL.
SOLDERING AREA: 0.002 MIN MATTE TIN.
- 6 CONNECTOR WITH BLACK COLOR AND POLYIMIDE COVER
- 7 FINISH:
CONTACT AREA: GOLD FLASH
0.0013 MIN ALL OVER NICKEL.
SOLDERING AREA: 0.002 MIN MATTE TIN.

DETAIL B



DETAIL B

WINDING THE COVER TAPE
AROUND THE OUTER
PERIPHERY IN A TURN.



(R1)

FINISH	QTY	F	E	D	C	B	A	POS	PART NO.
GOLD FLASH -Sn 7	700	16						9-	69.8 88 84.4 42.2 160 9- -8
									53.8 72 68.4 34.2 120 9- -5
									45.8 72 68.4 34.2 100 9- -4
	↑	↑						9-	37.8 56 52.4 26.2 80 9- -3
									29.8 44 40.4 20.2 60 9- -2
									21.8 32 28.4 14.2 40 9- -1
	1000	12	17					2-	85.8 104 100.4 50.2 200 2- -0
									77.8 104 100.4 50.2 180 1- -9
									70.1 88 84.4 42.2 160 1- -8
	15Au-Sn 5	700	16					1-	61.8 88 84.4 42.2 140 1- -6
									53.8 72 68.4 34.2 120 1- -5
									45.8 72 68.4 34.2 100 1- -4
↑		↑					1-	37.8 56 52.4 26.2 80 1- -3	
								29.8 44 40.4 20.2 60 1- -2	
								21.8 32 28.4 14.2 40 1- -1	
1000		12	17					1-	85.8 104 100.4 50.2 200 1- -0
									77.8 104 100.4 50.2 180 -9
									69.8 88 84.4 42.2 160 -8
08Au-Sn 2		700	16					1-	61.8 88 84.4 42.2 140 1- -6
									53.8 72 68.4 34.2 120 -5
									45.8 72 68.4 34.2 100 -4
	↑	↑					1-	37.8 56 52.4 26.2 80 -3	
								29.8 44 40.4 20.2 60 -2	
								21.8 32 28.4 14.2 40 -1	
	1000	12	17					1-	85.8 104 100.4 50.2 200 1- -0
									77.8 104 100.4 50.2 180 -9
									70.1 88 84.4 42.2 160 -8

STEEL COVER

THIS DRAWING IS A CONTROLLED DOCUMENT. DWN SK LEAW *17MAY2004
 CHK ERIC TNG
 APVD SF LEONG
 PRODUCT SPEC 108-5390
 APPLICATION SPEC 114-5254
 MATERIAL - FINISH - WEIGHT 0
 CUSTOMER DRAWING

TE Connectivity
 RECEPTACLE ASSEMBLY 5H TYPE
 (0.5MM BOSS LENGTH) FOR 0.8FH
 ON TAPING

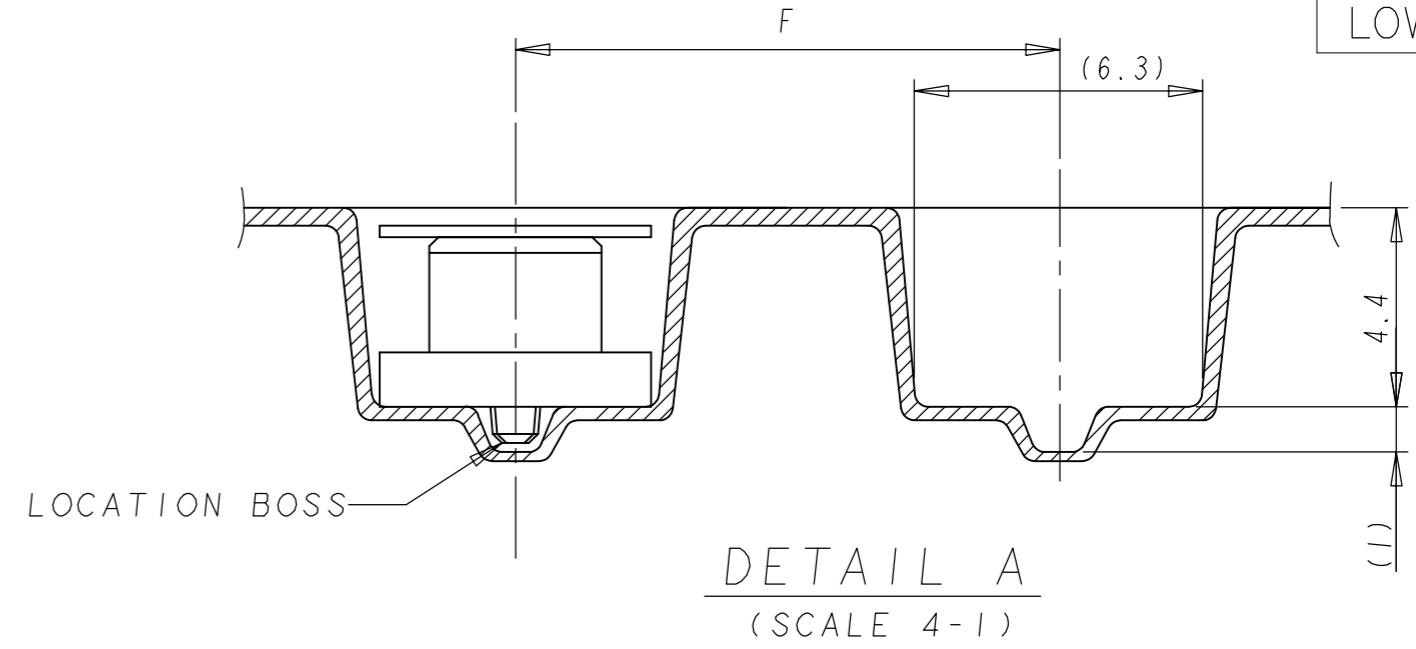
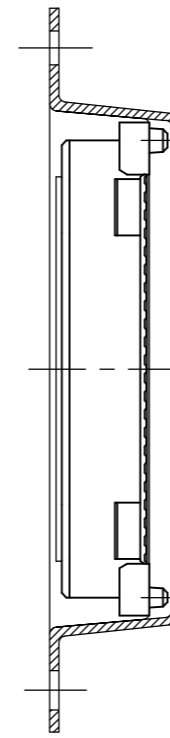
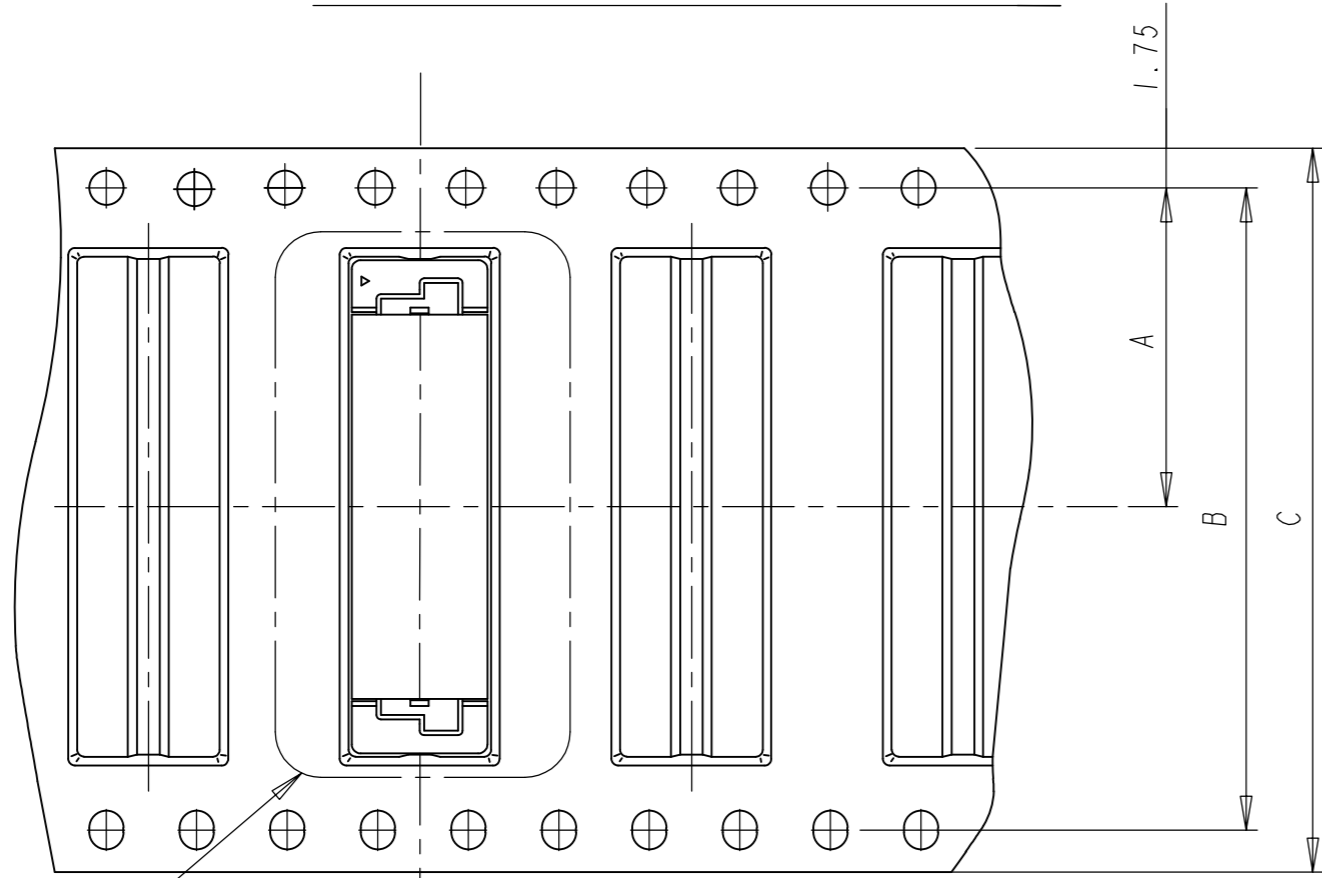
SIZE A2 CAGE CODE 00779 DRAWING NO C=5177985 RESTRICTED TO -
 SCALE 1:1 SHEET 1 OF 3 REV R1

THIS DRAWING IS UNPUBLISHED. RELEASED FOR PUBLICATION
 © COPYRIGHT - TE Connectivity ALL RIGHTS RESERVED.

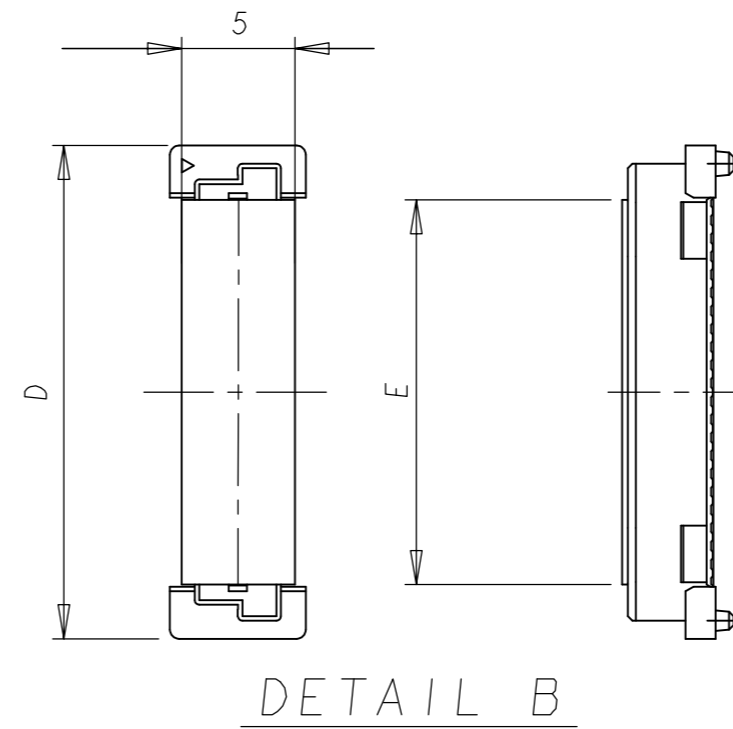
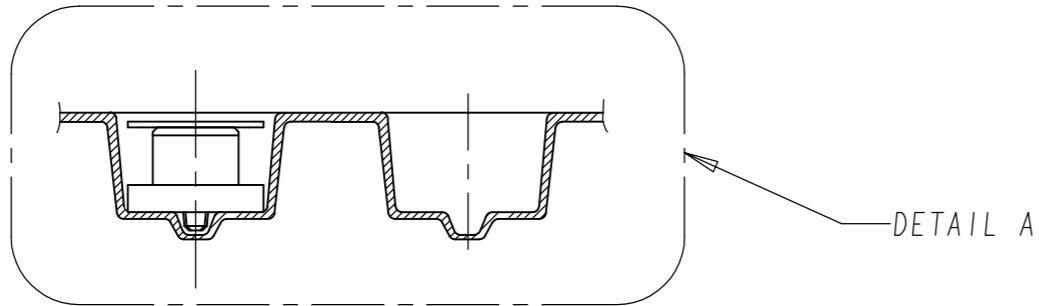
REVISIONS				
P	LTR	DESCRIPTION	DATE	APVD
-	-	SEE SHEET 1	-	-

DIRECTION OFF TOP OF REEL

LOW HALOGEN

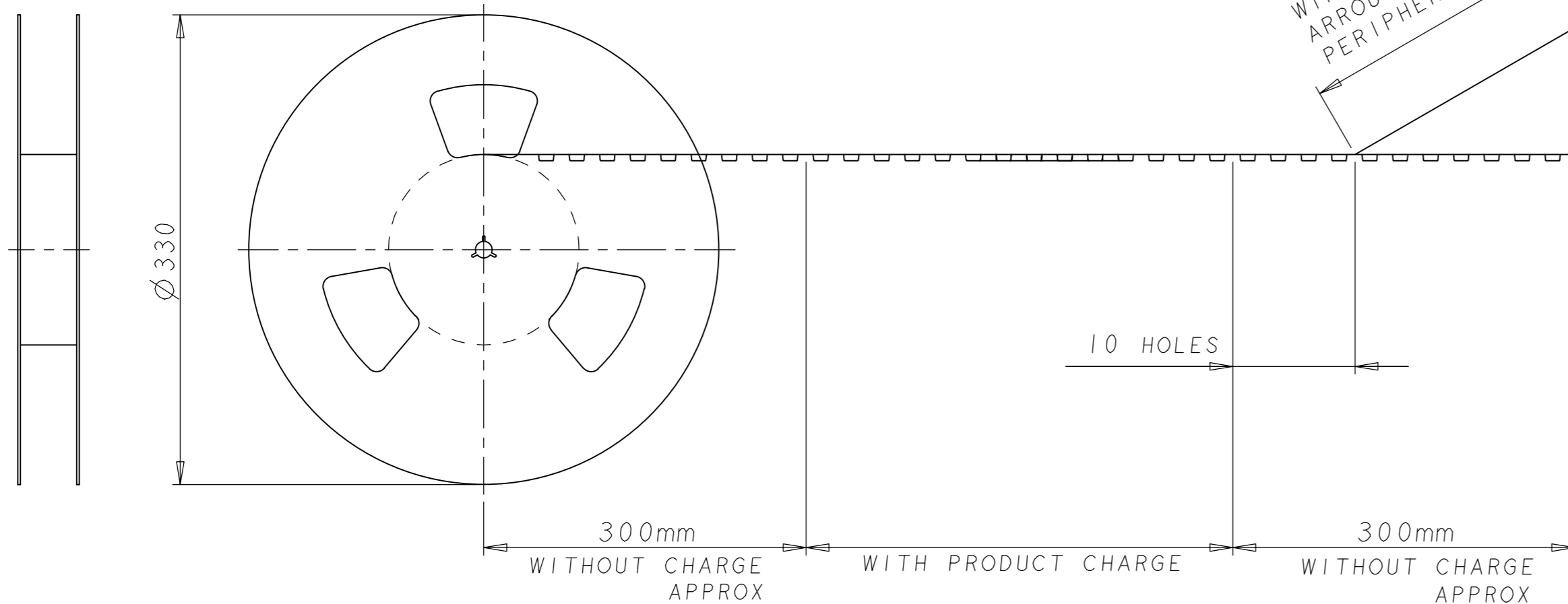


DETAIL B



POLYIMIDE COVER

WINDING THE COVER TAPE
 AROUND THE OUTER
 PERIPHERY IN A TURN.



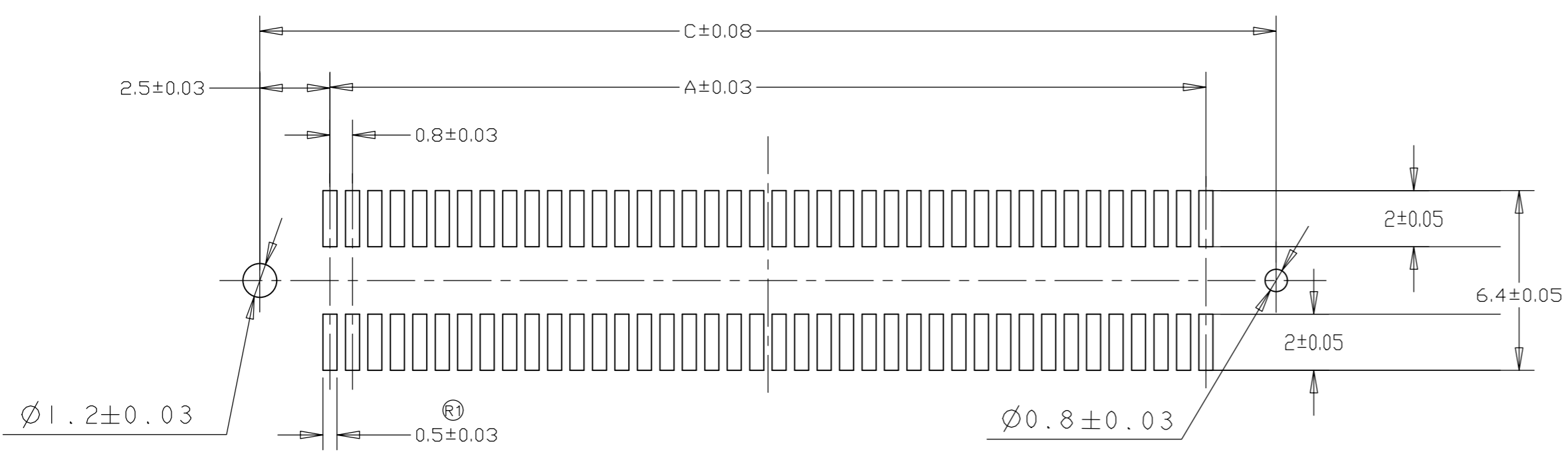
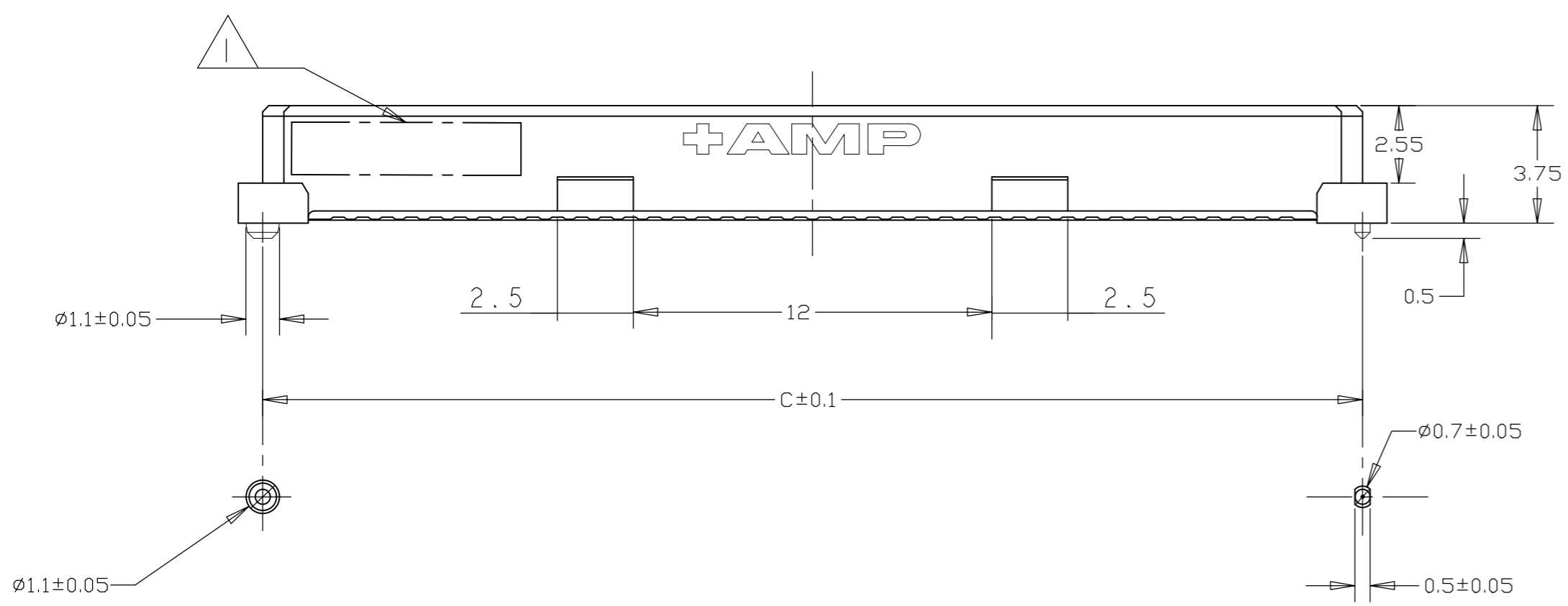
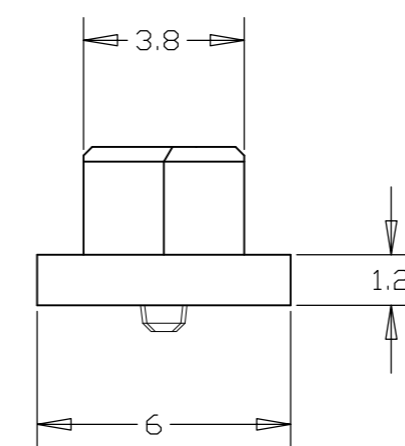
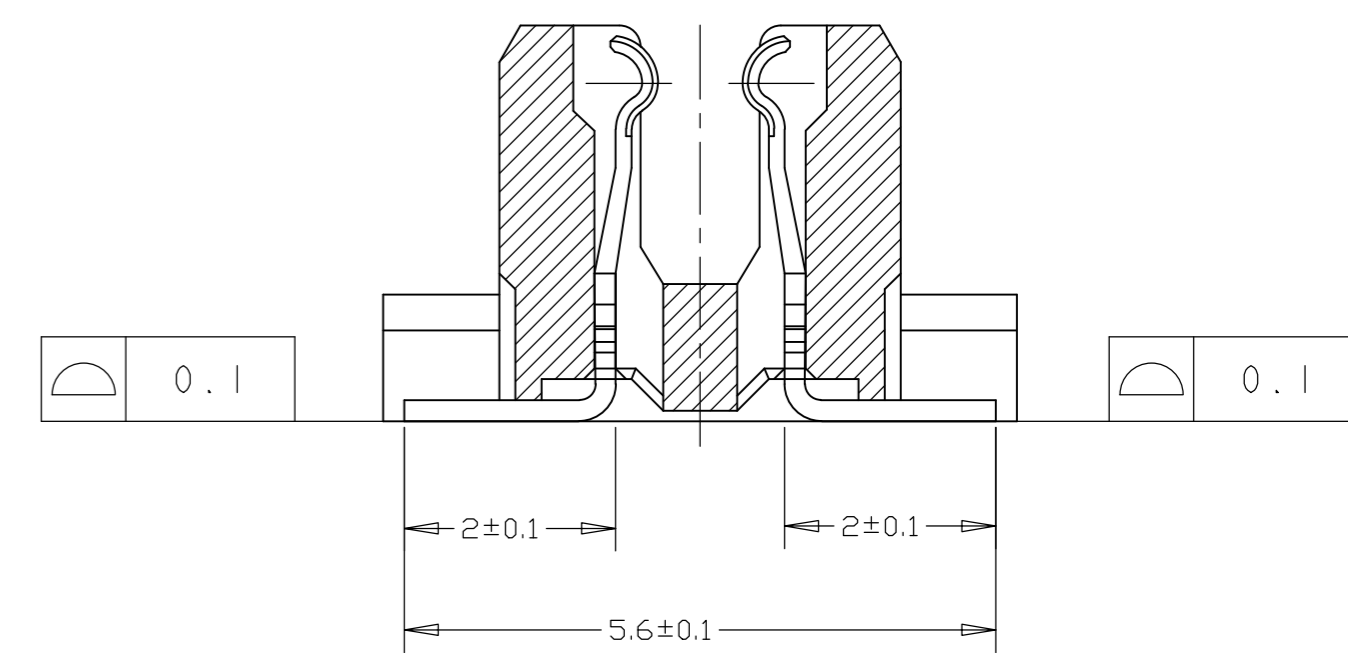
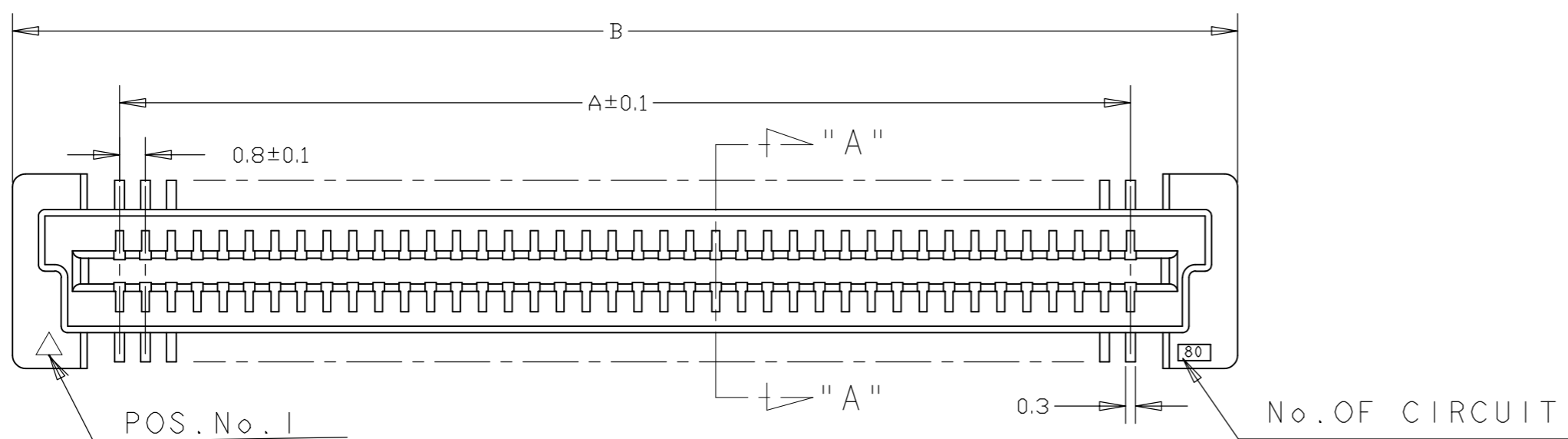
6	2	700	16	11	61.8	88	84.4	42.2	140	9-5177985-6
FINISH	QTY	F	E	D	C	B	A	POS	PART NO.	

THIS DRAWING IS A CONTROLLED DOCUMENT.		DWN SK LEAW 17MAY2004	STE TE Connectivity	
DIMENSIONS: mm		CHK ERIC TNG		
TOLERANCES UNLESS OTHERWISE SPECIFIED:		APVD SF LEONG	RECEPTACLE ASSEMBLY 5H TYPE (0.5MM BOSS LENGTH) FOR 0.8FH ON TAPING	
0 PLC ± -	1 PLC ± 0.3	PRODUCT SPEC 108-5390	SIZE A2	CAGE CODE 00779
2 PLC ± 0.25	3 PLC ± 0.2	APPLICATION SPEC 114-5254	DRAWING NO C-5177985	RESTRICTED TO -
4 PLC ± -	ANGLES ± -	MATERIAL -	WEIGHT -	SCALE 1:1
CUSTOMER DRAWING			SHEET 2 of 3	REV R1

THIS DRAWING IS UNPUBLISHED. RELEASED FOR PUBLICATION
 © COPYRIGHT - TE Connectivity ALL RIGHTS RESERVED.

REVISIONS					
P	LTR	DESCRIPTION	DATE	DWN	APVD
-	-	SEE SHEET 1	-	-	-

LOW HALOGEN



RECOMMENDED P.C. BOARD LAYOUT

CONNECTOR ONLY

68.2	69.8	63.2	160	9 -	-8
52.2	53.8	47.2	120	9 -	-5
44.2	45.8	39.2	100	9 -	-4
36.2	37.8	31.2	80	9 -	-3
28.2	29.8	23.2	60	9 -	-2
20.2	21.8	15.2	40	9 -	-1
84.2	85.8	79.2	200	2 -	-0
76.2	77.8	71.2	180	1 -	-9
68.2	69.8	63.2	160	1 -	-8
60.2	61.8	55.2	140	1 -	-6
52.2	53.8	47.2	120	1 -	-5
44.2	45.8	39.2	100	1 -	-4
36.2	37.8	31.2	80	1 -	-3
28.2	29.8	23.2	60	1 -	-2
20.2	21.8	15.2	40	1 -	-1
84.2	85.8	79.2	200	1 -	-0
76.2	77.8	71.2	180		-9
68.2	69.8	63.2	160		-8
60.2	61.8	55.2	140		-6
52.2	53.8	47.2	120		-5
44.2	45.8	39.2	100		-4
36.2	37.8	31.2	80		-3
28.2	29.8	23.2	60		-2
20.2	21.8	15.2	40		-1
84.2	85.8	79.2	200		-0
76.2	77.8	71.2	180		-9
68.2	69.8	63.2	160		-8
60.2	61.8	55.2	140		-6
52.2	53.8	47.2	120		-5
44.2	45.8	39.2	100		-4
36.2	37.8	31.2	80		-3
28.2	29.8	23.2	60		-2
20.2	21.8	15.2	40		-1
84.2	85.8	79.2	200		-0
76.2	77.8	71.2	180		-9
68.2	69.8	63.2	160		-8
60.2	61.8	55.2	140		-6
52.2	53.8	47.2	120		-5
44.2	45.8	39.2	100		-4
36.2	37.8	31.2	80		-3
28.2	29.8	23.2	60		-2
20.2	21.8	15.2	40		-1
84.2	85.8	79.2	200		-0
76.2	77.8	71.2	180		-9
68.2	69.8	63.2	160		-8
60.2	61.8	55.2	140		-6
52.2	53.8	47.2	120		-5
44.2	45.8	39.2	100		-4
36.2	37.8	31.2	80		-3
28.2	29.8	23.2	60		-2
20.2	21.8	15.2	40		-1
84.2	85.8	79.2	200		-0
76.2	77.8	71.2	180		-9
68.2	69.8	63.2	160		-8
60.2	61.8	55.2	140		-6
52.2	53.8	47.2	120		-5
44.2	45.8	39.2	100		-4
36.2	37.8	31.2	80		-3
28.2	29.8	23.2	60		-2
20.2	21.8	15.2	40		-1
84.2	85.8	79.2	200		-0
76.2	77.8	71.2	180		-9
68.2	69.8	63.2	160		-8
60.2	61.8	55.2	140		-6
52.2	53.8	47.2	120		-5
44.2	45.8	39.2	100		-4
36.2	37.8	31.2	80		-3
28.2	29.8	23.2	60		-2
20.2	21.8	15.2	40		-1
84.2	85.8	79.2	200		-0
76.2	77.8	71.2	180		-9
68.2	69.8	63.2	160		-8
60.2	61.8	55.2	140		-6
52.2	53.8	47.2	120		-5
44.2	45.8	39.2	100		-4
36.2	37.8	31.2	80		-3
28.2	29.8	23.2	60		-2
20.2	21.8	15.2	40		-1
84.2	85.8	79.2	200		-0
76.2	77.8	71.2	180		-9
68.2	69.8	63.2	160		-8
60.2	61.8	55.2	140		-6
52.2	53.8	47.2	120		-5
44.2	45.8	39.2	100		-4
36.2	37.8	31.2	80		-3
28.2	29.8	23.2	60		-2
20.2	21.8	15.2	40		-1
84.2	85.8	79.2	200		-0
76.2	77.8	71.2	180		-9
68.2	69.8	63.2	160		-8
60.2	61.8	55.2	140		-6
52.2	53.8	47.2	120		-5
44.2	45.8	39.2	100		-4
36.2	37.8	31.2	80		-3
28.2	29.8	23.2	60		-2
20.2	21.8	15.2	40		-1
84.2	85.8	79.2	200		-0
76.2	77.8	71.2	180		-9
68.2	69.8	63.2	160		-8
60.2	61.8	55.2	140		-6
52.2	53.8	47.2	120		-5
44.2	45.8	39.2	100		-4
36.2	37.8	31.2	80		-3
28.2	29.8	23.2	60		-2
20.2	21.8	15.2	40		-1
84.2	85.8	79.2	200		-0
76.2	77.8	71.2	180		-9
68.2	69.8	63.2	160		-8
60.2	61.8	55.2	140		-6
52.2	53.8	47.2	120		-5
44.2	45.8	39.2	100		-4
36.2	37.8	31.2	80		-3
28.2	29.8	23.2	60		-2
20.2	21.8	15.2	40		-1
84.2	85.8	79.2	200		-0
76.2	77.8	71.2	180		-9
68.2	69.8	63.2	160		-8
60.2	61.8	55.2	140		-6
52.2	53.8	47.2	120		-5
44.2	45.8	39.2	100		-4
36.2	37.8	31.2	80		-3
28.2	29.8	23.2	60		-2
20.2	21.8	15.2	40		-1
84.2	85.8	79.2	200		-0
76.2	77.8	71.2	180		-9
68.2	69.8	63.2	160		-8
60.2	61.8	55.2	140		-6
52.2	53.8	47.2	120		-5
44.2	45.8	39.2	100		-4
36.2	37.8	31.2	80		-3
28.2	29.8	23.2	60		-2
20.2	21.8	15.2	40		-1
84.2	85.8	79.2	200		-0
76.2	77.8	71.2	180		-9
68.2	69.8	63.2	160		-8
60.2	61.8	55.2	140		-6
52.2	53.8	47.2	120		-5
44.2	45.8	39.2	100		-4
36.2	37.8	31.2	80		-3
28.2	29.8	23.2	60		-2
20.2	21.8	15.2	40		-1
84.2	85.8	79.2	200		-0
76.2	77.8	71.2	180		-9
68.2	69.8	63.2	160		-8
60.2	61.8	55.2	140		-6
52.2	53.8	47.2	120		-5
44.2	45.8	39.2	100		-4
36.2	37.8	31.2	80		-3
28.2	29.8	23.2	60		-2
20.2	21.8	15.2	40		-1
84.2	85.8	79.2	200		-0
76.2	77.8	71.2	180		-9
68.2	69.8	63.2	160		-8
60.2	61.8	55.2	140		-6
52.2	53.8	47.2	120		-5
44.2	45.8	39.2	100		-4
36.2	37.8	31.2	80		-3
28.2	29.8	23.2	60		-2
20.2	21.8	15.2	40		-1
84.2	85.8	79.2	200		-0
76.2	77.8	71.2	180		-9
68.2	69.8	63.2	160		-8
60.2	61.8	55.2	140		-6
52.2	53.8	47.2	120		-5
44.2	45.8	39.2	100		-4
36.2	37.8	31.2	80		-3
28.2	29.8	23.2	60		-2
20.2	21.8	15.2	40		-1
84.2	85.8	79.2	200		-0
76.2	77.8	71.2	180		-9
68.2	69.8	63.2	160		-8
60.2	61.8	55.2	140		-6
52.2	53.8	47.2	120		-5
44.2	45.8	39.2	100		-4
36.2	37.8	31.2	80		-3
28.2	29.8	23.2	60		-2
20.2	21.8	15.2	40		-1
84.2	85.8	79.2	200		-0
76.2	77.8	71.2	180		-9
68.2	69.8	63.2	160		-8
60.2	61.8	55.2	140		-6
52.2	53.8	47.2	120		-5
44.2	45.8	39.2	100		-4
36.2	37.8	31.2	80		-3
28.2	29.8	23.2	60		-2
20.2	21.8	15.2	40		-1
84.2	85.8	79.2	200		-0
76.2	77.8	71.2	180		-9
68.2	69.8	63.2	160		-8
60.2	61.8	55.2	140		-6
52.2	53.8	47.2	120		-5
44.2	45.8	39.2	100		-4
36.2	37.8	31.2	80		-3
28.2	29.8	23.2	60		-2
20.2	21.8	15.2	40		-1
84.2	85.8	79.2	200		-0
76.2	77.8	71.2	180		-9
68.2	69.8	63.2	160		-8
60.2	61.8	55.2	140		-6
52.2	53.8	47.2	120		-5
44.2	45.8	39.2	100		-4
36.2	37.8	31.2	80		-3
28.2	29.8	23.2	60		-2
20.2	21.8	15.2	40		-1
84.2	85.8	79.2	200		-0
76.2	77.8	71.2	180		-9
68.2	69.8	63.2	160		-8
60.2	61.8	55.2	140		-6
52.2	53.8	47.2	120		-5
44.2	45.8	39.2	100		-4
36.2	37.8	31.2	80		-3
28.2	29.8	23.2	60		-2
20.2	21.8	15.2	40		-1
84.2	85.8	79.2	200		-0
76.2	77.8	71.2	180		-9
68.2	69.8	63.2	160		-8
60.2	61.8	55.2	140		-6
52.2	53.8	47.2	120		-5
44.2	45.8	39.2	100		-4
36.2	37.8	31.2	80		-3
28.2	29.8	23.2	60		-2
20.2	21.8	15.2	40		-1
84.2	85.8				